



YELLOWRIVER
MAKE YOUR STAGE TO BE MORE EXCELLENT

**1056 pcs led Meeting room light+36pcs wash light
(Model:YR-W1056+36Q)**



User Manual

Please read these instructions carefully before use

Attention: The ideal working environment of this equipment is between 0-35 degrees, and the surface temperature of the light body is 40-70 degrees. In order to protect safe operation, it is absolutely necessary for users to follow the safety instructions and warnings in this manual.

1. Technical specification:

Light source parameters:

Light source: 1056pcs 0.5W(528pcs warm white 3200K+528pcs pure white 5600K)+36pcs 10W(RGBW 4in1)

source life: 50,000 hours

Antistatic: up to 2000V HBM

Heat conduction of light source: 4.0 coefficient silicone grease + high efficiency heat conduction chassis

Angle: 120 degrees

Color rendering index: conference light indicator ≥ 90

Control parameters:

Dimming: Standard linear dimming

Control signal: DMX512+RDM, in line with the international standard light control transmission protocol

Control channels: 2 CH, 3 CH, 7 CH, 12 CH

Operation mode: console, button +2 knob: brightness adjustment + color temperature adjustment

Effect: Meeting effect: color temperature adjustment range 3200K- 5600K+ stroboscopic

wash effect: RGBW four-color + stroboscopic + static color mixing + multi-mode self-walking

Cooling method: Integrated high thermal conductivity titanium sheet natural heat dissipation, more stable performance, higher power

Noise: silence, no fan

Overtemperature protection: reduced power protection at high temperature above 80 degrees

Real-time monitoring: light source temperature, signal display

Working parameters:

Operating voltage: AC100V-240V (50/60HZ)

Total rated power: 400W

Power factor: 0.56

Rated current: 1.82A

Ambient temperature: less than 40 degrees

Light parameters:

Case material: Engineering aluminum alloy (high temperature resistance), fine sand paint (high-end wear resistance)

Display: LED color screen +4 mechanical buttons +2 knobs, support 30 seconds off screen and continuous bright screen dual mode, support Chinese and English switching, time display

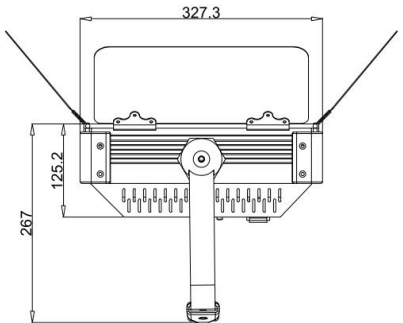
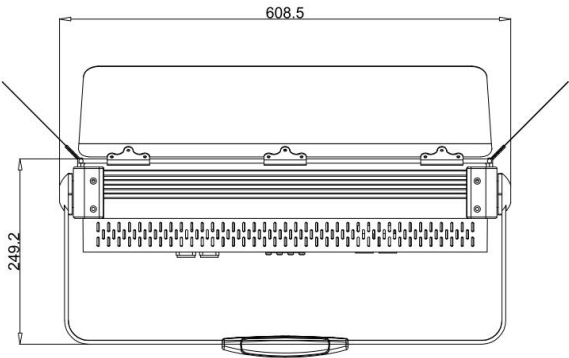
Power interface: Twisting head, one blue (in) one white (out)

Signal interface: Signal socket 3-core male + female, can plug DMX512 wireless signal receiver

IP rate: IP20

N.W.: 11.2KG

size:



合格证

Certification



产品名称:
Item Name

产品型号:
Item NO.

检验员:
Inspector

检验日期:
Inspection Date

执行标准: GB7000 - 217-2008
Implementation Standards

本产品经检验合格, 准予出厂!

This product passed the inspection

广东雅格莱灯光音响有限公司
Guangdong YaGe Lai Lighting & Audio Limited
全国电话: 400-618-4388
Tel: 400-618-4388

保修卡

Protection to Fix Card

非常感谢您使用我们的产品

1. 本产品从购买日起, 正常操作使用并未经拆修, 经保修人员确认属产品
质量问题, 一年内享受保修服务(其中光源为易耗品只享受三个月保修),
在作保正常情况下均提供免费维修。

2. 保修卡应在购买时填写, 保修卡无本公司保修章无效, 产品维护时请带保修卡。

Very thank you for using our products

1. From the date of purchase, if the product is operated correctly without disassembling
and fixing at the same time the quality problem, we will offer maintenance services at any time under any normal
situation within one year.

2. The warranty card should be filled in at the time of purchase. The warranty card is
invalid without our company's warranty seal. Please bring the warranty card when
maintaining the product.

顾客姓名 Customer Name	购买日期 Purchase Date	产品型号 Product Model	购买商 Purchase
保修记录: Warranty Record			

广东雅格莱灯光音响有限公司
Guangdong YaGe Lai Lighting & Audio Limited
地址: 肇庆市高要区文塔大道11号肇庆万洋众创城010
Address: 010 Wanyangchuangcheng, No. 41, Daming Avenue, Daming High-tech Zone,
Zhaoqing City, Guangdong Province

		W-DIM 0-255	White control
--	--	-------------	---------------

2.Operation Instruction:



MENU UP DOWN ENTER

Press the MENU key to cycle through 9 different menus. Press the ENTER key to enter the corresponding menu, press UP (plus key) or DOWN (minus key) to modify the current value. Press the ENTER key to save the current value.

3.Setting :

	Option		Description
1	DMX	Address setting 001	Address code
2	Rotary- ADJ	Bright 000-255	knob adjusts the brightness
		CCT 3200K-6500K	Knob adjusts the color temperature
3	KEY_CCT	Bright 000-255	Adjustable brightness
		CCT 3200K-6500K	Adjustable color temperature
4	Manual adj	ALL DIM 0-255	Total brightness control
		L-DIM 0-255	Warm white control
		H-DIM 0-255	White control
		R-DIM 0-255	Red control
		G-DIM 0-255	Green control
		B-DIM 0-255	Blue control

7. Instructions and remarks :

1. When installing this device, please ensure that there are no extreme, flammable and explosive items (decorations) within a distance of 3 meters.
2. The distance between the direction of the light outlet of the light and the object to be illuminated should be kept at least 0.5 meters.
3. The light output direction of the lamp is the optical lens, and there should be no external force hitting the glass during use. If the lens is damaged, you need to find a professional to replace the lens with the same specification before using it.
4. When the sheath of the power cord is damaged, you must find a professional to replace it with a new one of the same specification before using it.
5. When the product is hung and installed, the load of the hanging parts must be at least 3 times the weight of the product, and a safety rope should be buckled on the auxiliary suspension device of the light. The load of the safety rope should be more than 3 times the weight of the product.
6. When the light is in use, it must be controlled within the use time indicated by the light source. After the use time is reached, please replace the light source in time before use, otherwise the light source is easily deformed or weakened, which will affect the use.

The company reserves the right to modify this product manual without notice.

6. Instructions and remarks



Warning, Electric shock

The light source in this light should be replaced by the Company or the Company's service agent or a similarly qualified person.

1. Check whether the power supply and voltage are normal before use. If the voltage fluctuates greatly, it is recommended to use a voltage regulator or a voltage regulator for power supply.
2. This light is IP20 grade, it is strictly prohibited to use the smoke screen of dry ice machine to cover the lamp.
3. This light belongs to the first-class protection light, so the yellow and green two-color wires must be grounded and taken care of by professionals.
4. Do not touch the shell of the light with your hand when it is working.
5. The internal components of this equipment must be purchased from the manufacturer.
6. The power cable of the product must be properly grounded.
7. Use the console, control as far as possible to avoid around the neighbors, there is no interference source. (Example: wireless walkie-talkies, high-frequency emission sources, etc.)
8. When using this product, the same signal cable can control up to 20 sets of the same product. If the signal exceeds this range, it is necessary to use another signal amplification device to amplify the signal, and install a terminal on the DMX output outlet on the last desk lamp, welding a resistance of 120 euros (within 5 euros by mistake) 1/4W between Pin2 and Pin3.
9. The input power cord of this product is equipped with a size of 1.0 square, which cannot exceed 4 table lamp connections when connected by hand. The company will not be responsible for the use of burnt out lamps and other

accidents that do not follow this requirement.

10. If the display screen and lens have visible damage, that is, damage to the degree of failure, such as cracks or deep marks, should be replaced.

5	Test mode	PROG	Select built-in
		PROG-SPEED	Built-in speed
		Test Auto	Self-propelled operation
6	setting	DmxChs 2/3/7/12CH	Channel mode
		LCD inverse	Display rewind
		Back light	Set whether to turn off the backlight
		language	Setting language
7	Info	System information	

Note: Due to adjustment errors, the color temperature value 3200K- 6500K is only used as a reference value.

4.DMX512CH

2CH:

S/N	Function	Description
Channel 1	Brightness control	0-255: Brightness adjustment, from darkest to brightest.
Channel 2	Color temperature control	0-255:3200K --6500K. (Due to adjustment errors, the color temperature value is only used as a reference value)

3CH:

S/N	Function	Description
Channel 1	Total dimmer	0-255: Total brightness adjustment, from darkest to brightest.
Channel 2	Warm white	0-255: Warm white brightness adjustment,

		from darkest to brightest.
Channel 3	Pure white	0-255: Pure white brightness adjustment, from darkest to brightest.

7CH:

S/N	Function	Description
Channel 1	Total dimmer	0-255: Total brightness adjustment, from darkest to brightest.
Channel 2	Warm white	0-255: Warm white brightness adjustment, from darkest to brightest.
Channel 3	Pure white	0-255: Pure white brightness adjustment, from darkest to brightest.
Channel 4	red	0-255: Red brightness adjustment, from darkest to brightest.
Channel 5	green	0-255: Green brightness adjustment, from darkest to brightest.
Channel 6	blue	0-255: Blue brightness adjustment, from darkest to brightest.
Channel 7	white	0-255: White brightness adjustment, from darkest to brightest.

12 CH:

S/N	Function	Description
Channel 1	CCT dimming	0-255: Brightness adjustment (only for the second channel), from darkest to brightest. Above 0, staining does not work.
Channel 2	CCT regulation	0-255:3200K --6500K. (Due to adjustment errors, the color temperature value is only used as a reference value)
Channel 3	Dyeing total dimming	0-255: The total brightness of the dye is adjusted from darkest to brightest.
Channel 4	Warm	0-255: Warm white brightness adjustment, from

	white	darkest to brightest.
Channel 5	Pure white	0-255: Pure white brightness adjustment, from darkest to brightest.
Channel 6	red	0-255: Red brightness adjustment, from darkest to brightest.
Channel 7	green	0-255: Green brightness adjustment, from darkest to brightest.
Channel 8	blue	0-255: Blue brightness adjustment, from darkest to brightest.
Channel 9	white	0-255: White brightness adjustment, from darkest to brightest.
Channel 10	stroboscopic	0-255: Stroboscopic speed from slow to fast
Channel 11	Built-in program	0-20: No function; If the value is greater than 20, the built-in programs are equally distributed.
Channel 12	Built-in speed	0-255: Built-in speed from fastest to slowest.

5.Master-Slave Control Model:

Master and slave: Set up one fixture as Master fixture(triggering), other fixtures as slave fixtures(the DMX menu, and the address code must be 001) , Slave fixtures under DMX add. Connect the signal cable, the slave fixtures will run and keep function synchronism as master fixtures.

The console controls multiple products: Set all products to the same or different address code values (note: before controlling, the controlled products must be uniformly set to the DMX menu to control synchronously, and the address code value is set to 001), connect the signal line, At this time, the slave machine is controlled by the console, and its functions are synchronized with the current functions of the console.