



YELLOWRIVER
Make your stage shine

OUTDOOR PAR LIGHT

10W*27pcs RGBW 4 IN 1

(Model: YR-IP27QA)



Instruction

(Please read the manual carefully before using the product.)

Attention:

The ideal working environment of this equipment is between 0 and 35 degrees, and the surface temperature of the light body is between 40 and 70 degrees. For safety, it is absolutely necessary for the user to follow the safety instructions and warnings given in this manual.

Technical parameters:**Light source parameters:**

Light source: 27x10W(4-in-1 RGBW, high temperature lens package)

Light source life: 50,000 hours

Antistatic: up to 2000V HBM

Light source heat conduction: bonding + high efficiency heat conduction chassis

Light source protective mirror: bullet protective mirror

Light emitting lens: high temperature resistant PC+PMMA

Light Angle: 25 degrees

Control parameters:

Stroboscopic: 0-20Hz, standard stroboscopic

Dimming: Standard linear dimming

Control signal: DMX512(Digital Multiple X 512)+RDM, in line with the international standard light control transmission protocol, Support console set address code, support DMX interface upgrade software

Control channels: 9 channels / 6channels

Built-in effects: Strobe + 8 static Chase color mixes + 4 auto modes

Operation mode: console, manual, master-slave

Over temperature protection: high temperature 70 degrees above the power reduction protection light source

Real-time monitoring: light source temperature, signal display

Working parameters:

Operating voltage: AC100V-240V (50/60HZ)

Total rated power: 200W

Power factor: 0.56

Ambient temperature: <40 degrees

Light parameters:

Case material: Engineering aluminum alloy (high temperature resistance),
fine sand paint (high-end wear resistance)

Display: TFT LCD display +4 mechanical buttons.(Password of
Display:MENU/ENTER/MENU/ENTER/MENU/ENTER)

Handle: Limit double handle, anti-slip

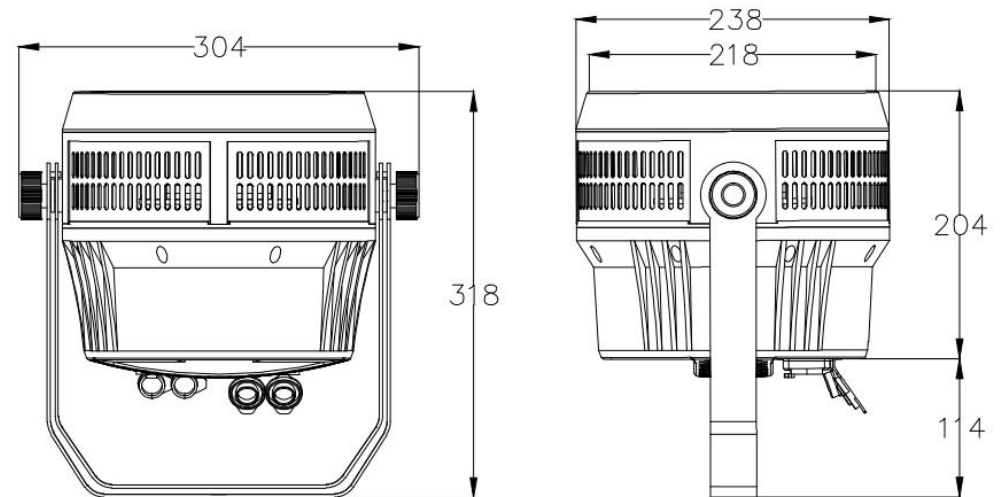
Power interface: with one input and one out powercon socket

Signal interface: with an in and out XLR connector

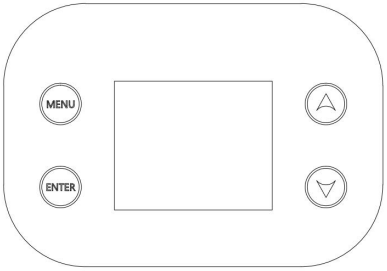
IP rate: IP66

Net weight: 5.9KG

1. SIZE



2. Operation instruction



Press MENU to return to the menu. Press ENTER to enter the corresponding menu. Use UP or DOWN to adjust the current value. Press ENTER to save the current value.

3. MENU FUNCTION

S/N	Menu and description		
1	DMX	Address setting 001	
2	Manual	Manually operate each function	
3	Test	PROG	Built-in program 01
		PROG-SPEED	program speed 16
		Test Auto	Test Auto
4	Option	DmxChs	channel
		LCD inverse	Backward display On/Off
		Fan	Fan setting: 01 Temperature Start /02 Off /03 Normal on
		Back light	backlight On/Off
5	EN/CHS	English/Chinese	
6	Info	Light Info	



Certificate

Product Name: _____
Product Model: _____
Inspector: _____
Inspection Date: _____
Execution Standard: GB7000-217-2008

This product has been inspected and qualified for shipment.



Guangdong Yellow River Lighting Technology Limited
National Service Hotline: 400-618-4388

Product Warranty Card

Dear Customer:
 Thank you very much for purchasing our product. In the future use, you will enjoy the one-year after-sales service warranty provided by us.

Warranty Terms:
 This product, from the date of purchase, under normal operation and without repair, if confirmed by the warranty personnel to be a product quality issue, will enjoy the warranty service within one year, and maintenance will be provided under any normal circumstances.
 The warranty card should be filled out at the time of purchase, and the warranty card is invalid without the warranty seal of our company. Please bring the warranty card when the product is maintained.

Customer Information
 Customer Name: _____ Buyer: _____
 Date of Purchase: _____ Product Model: _____

Warranty Record

Repair Date	Fault and Solution	Repair Date	Repair Technician

Guangdong Yellow River Lighting Technology Limited
 After-sales Service Address: C10# Building, No.41 Dawang Avenue,
 Wuyang Zhongshanwang Science,Zhongqing High-tech Zone,Zhongqing City, Guangdong, China.

4. When the outer cover of the power cord is damaged, it must be replaced with a new power cord of the same specification by relevant professional personnel before use.

5. When the product is hung and installed, the load bearing of the hanging device shall be at least 3 times greater than the weight of the product, and the safety rope shall be fastened on the auxiliary hanging device of the light, and the load bearing of the safety rope shall be more than 3 times greater than the weight of the product.

6. The products must be controlled within the use time indicated by the light source, and after the use time is reached, please replace the light source and use it again in time, otherwise the light source is easy to deform or weaken, affecting the use.

The company reserves the right to amend this product manual without prior notice

4.DMX 512 CHANNEL

9CH

S/N	MENU	FUNCTION
CH1	Total dimmer	0-255: Total dimming linear dimming, from darkest to brightest.
CH2	Red	0-255: Red linear dimming, from darkest to brightest.
CH3	green	0-255: Green linear dimming, from darkest to brightest.
CH4	blue	0-255: Blue linear dimming, from darkest to brightest.
CH5	white	0-255: White linear dimming, from darkest to brightest.
CH6	stroboscopic	0: None, 1-255: Strobe from slow to fast
CH7	Color preset	0:invalid;1-30:red;31-61:green;62-92:blue;93-123:white;124-154:red + green;155-185:red +blue;186-216:green+blue;217-255:full light
CH8	Static mixing + Auto	0-20:invalid;21-38:red;39-57:green;58-76:blue ;77-95:white;96-114:red +green;115-133:red +blue;134-152:green+blue 153-171:full light;172-190:jump;191-209: gradient ;210-228:strobe;229-255:comprehensive effect
CH9	Speed of Auto	0-255 : Auto speed adjustment, from fast to slow.

6CH

S/N	MENU	FUNCTION
CH1	Total dimmer	0-255: Total dimming linear dimming, from darkest to brightest.
CH2	red	0-255: Red linear dimming, from darkest to brightest.

CH3	green	0-255: Green linear dimming, from darkest to brightest.
CH4	blue	0-255: Blue linear dimming, from darkest to brightest.
CH5	white	0-255: White linear dimming, from darkest to brightest.
CH6	strobe	0: None, 1-255: Strobe from slow to fast

5. Master-slave mode online description

Master/Slave connection: Set one machine as the host, select the operating mode of the menu, set the other machine as the slave machine, and set the slave machine to the DMX address code state. When the signal cable is connected, the slave is controlled by the host and its functions are synchronized with the current functions of the host.

Console control of multiple products: set all products to the same or different address code value (note: before control, the controlled products must be set to DMX menu to synchronize control, address code value is set to 001), connect the signal line, at this time, slave console control, function and the current function of the console synchronization.

6. Instructions and remarks



Warning. Electric shock

The light source inside this light should be replaced by our company or our service agent or person with similar qualification

1. Check whether the power supply and voltage are normal before use. If the voltage fluctuates greatly, it is recommended to use voltage stabilizer or voltage regulator.

2. The equipment belongs to the first-level protective light. The power cord of the product must be grounded and well grounded when used. The yellow and green double color lines must be grounded and taken care of by professionals.

3. Do not touch its surface when operating

4. The internal components of the equipment must be purchased from the manufacturer.

5. When using console, try to avoid neighboring interference sources. (Example: wireless walkie-talkie, high-frequency emission source, etc.)

6. When using device, only 20 sets of the same product can be controlled within 20 meters of the same signal line. If it exceeds this range, a signal amplification device must be used to amplify the signal before it can be used, and the DMX output port on the last light Install a terminal product and solder a 120 ohm 1/4W resistor between Pin2 and Pin3.

7. The input power cord of this equipment is equipped with a specification of 1 square meter. When using hand-in-hand connection, no more than 4 light connections can be made. The company is not responsible for burning out the lights and other accidents.

8. If the display screen, lens produces visible damage, that is, damage to the degree of failure, such as cracks or deep marks, should be replaced;

7. Installation requirement

1. The product shall be free from corrosive vapors and gases in the operating environment and shall not contain inflammable and explosive articles within 3 meters.

2. Keep the distance between the light outlet direction and the subject at least more than 0.5 meters.

3. The direction of the light is an optical lens. No external force can hit the glass in the process of operation. If the lens is damaged, it can only be used after the professional technician replacing the lens of the same specifications.