



**200W Spot light
(MODEL: YR-J200)**



User Manual

Please read these instructions carefully before use

Note: The ideal working environment of this equipment is between 0-35 degrees, and the surface temperature of the lamp body is 40-70 degrees. In order to protect safe operation, it is absolutely necessary for users to follow the safety instructions and warnings given in this manual.

Technical parameters:

Light source parameters:

Light source: 200W COB

Light source life: 20,000 hours

Antistatic: up to 2000V HBM

Light source heat conduction: bonding + high efficiency heat conduction chassis

Color temperature: 5600K

Color rendering index: ≥ 90

Control parameters:

Light Angle: 14°-55°

Stroboscopic: 0-20Hz, standard stroboscopic

Dimming: Standard linear dimming

Control signal: DMX512(Digital MultipleX 512)+RDM, in line with international standard light control transmission protocol, support console set address code, support DMX interface upgrade software

Control channels: 5 channels

Built-in effects: regular stroboscopic + random stroboscopic + lightning stroboscopic + focus

Operation mode: console, manual, master-slave, voice control, optional WIFI+ mobile APP control

Cooling mode: Fan temperature control start, by fin + fan for heat dissipation

Noise: intelligent temperature, active heat dissipation, silent fan turn-off below 40 degrees, silent fan rotation above 40 degrees, maximum noise 1 meter away 35.0dBA(lower than ambient noise)

Over temperature protection: reduced power protection at high temperature above 80 degrees

7. Installation requirements:

1. In the environment where this product is used, there should be no corrosive steam and gas, and no flammable and explosive materials.
2. Keep the distance between the light outlet of the lamp and the illuminated object at least 1 meter, and keep it away from moisture and corrosive gases.
3. When the product is suspended and installed, the load of the hanging parts should be more than 3 times the weight of the product, and an auxiliary suspension safety rope should be made on the product, and the load of the safety rope should be more than 3 times the weight of the product.

The company reserves the right to modify this product manual without notice.

6. instructions and remarks :

1. Always make sure that you are connecting to the proper voltage and that the line voltage you are connecting to is not higher than that stated on the decal or rear panel of the fixture.
2. When using this equipment, the power cord must be well grounded and taken care of by professionals.
3. Do not touch its surface when operating
4. The internal components of this equipment must be purchased from the manufacturer.
5. When using console, try to avoid neighboring interference sources. (Example: wireless walkie-talkie, high-frequency emission source, etc.)
6. When using device, only 20 sets of the same product can be controlled within 20 meters of the same signal line . If it exceeds this range, a signal amplification device must be used to amplify the signal before it can be used, and the DMX output port on the last lamp Install a terminal product and solder a 120 ohm 1/4W resistor between Pin2 and Pin3 .
7. The input power cord of this equipment is equipped with a specification of 1 square meter. When the outer skin of the power cord is exposed and damaged, a new power cord of the same specification must be replaced.
8. When the light source reaches its end of life, the entire lamp should be replaced.
9. The continuous use time of the equipment cannot exceed 8 hours each time .
10. The power cord of the same input terminal can connect up to 4 lights.
11. The lens and light source of this equipment must be used together. When any accessory is damaged, it must be replaced by a relevant professional before it can be used.

Real-time monitoring: light source temperature, signal display

Working parameters:

Operating voltage: AC100V-240V (50/60HZ)

Total rated power: 200W

Power factor: 0.56

Rated current: 0.91A

Ambient temperature: < 40degrees

Lamp parameters:

Case material: Engineering aluminum alloy (high temperature resistance), fine sand paint (high-end wear resistance)

Display: LED bright red digital tube +4 mechanical buttons, support 30 seconds off screen and continuous bright screen dual mode

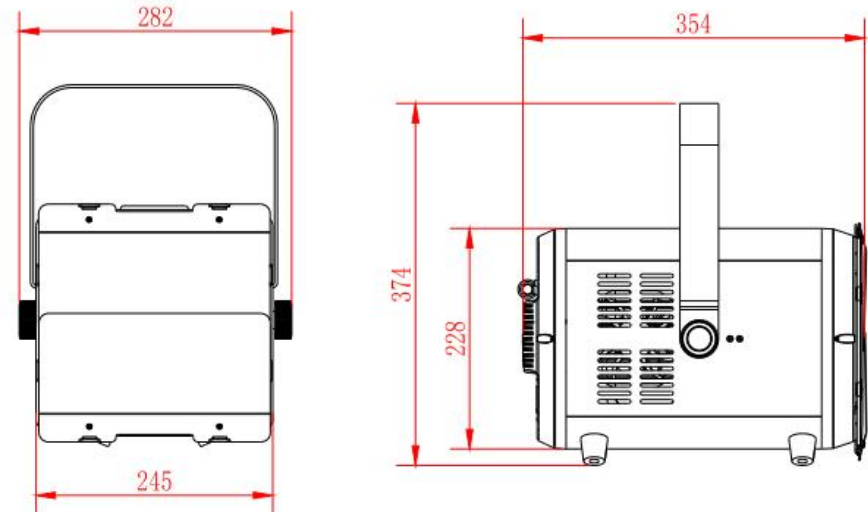
Power interface: Twisting head, one blue (in) one white (out)

Signal interface: Signal socket 3-core male + female, can plug DMX512 wireless signal receiver

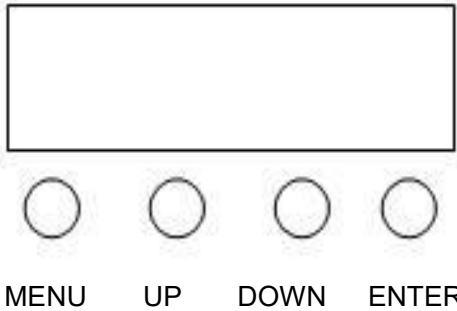
IP rate: IP20

Net weight: 5.9KG

1.size



2.Operation Instruction



Press the MENU key to cycle through 14 different menus. Press the ENTER key to enter the corresponding menu, press UP (plus key) or DOWN (minus key) to modify the current value. Press the ENTER key to save the current value.

3. Menu function reference table :

S/N	Menu	Function (ENTER)
1	d----	DMX512 address code setting: 001-512, when there is a signal connection, the lower right corner indicator is lit
2	L----	White light brightness adjustment: 0-255
3	P----	Stroboscopic and speed adjustment: 0 invalid; 1-84 lightning stroboscopic; 85-169 random stroboscopic; 170-255 Standard stroboscopic
4	C----	CTO trip: 0-255
5	F----	Focusing distance: 0-255
6	FAN—	FAN0:40 degrees fan; FAN1: Turn off the fan, the power above 80 degrees decreases with the increase of temperature; FAN2: The fan is on normally
7	dp---	dp0/1:30S Off/On Select
8	CH--	CH5/CH3: Select a channel

4.DMX512 channel description:

5CH:

S/N	Function	Description
Channel 1	dimming	0-255: Brightness adjustment, from darkest to brightest.
Channel 2	strobe	0: invalid; 1-84 lightning stroboscopic; 85-169: random stroboscopic; 170-255 Standard stroboscopic.
Channel 3	CTO	0-5: invalid; 6-255:COT trip.
Channel 4	focusing	0-255: Light spot from large to small.
Channel 5	resetting	0-244: invalid, 245-255: reset

3CH:

S/N	Function	Description
Channel 1	dimming	0-255: Brightness adjustment, from darkest to brightest.
Channel 2	CTO	0-5: invalid; 6-255:COT trip.
Channel 3	focusing	0-255: Light spot from large to small.

5.Master-Slave Control Model:

Master and slave: Set up one fixture as Master fixture(triggering), other fixtures as slave fixtures(the DMX menu, and the address code must be 001). , Slave fixtures under DMX add. Connect the signal cable, the slave fixtures will run and keep function synchronize as master fixtures.

Console to fixtures: Set up all fixtures same or different address value or follow DMX console performance. Connecting to console using signal cable, fixture is controlled by console.