



YELLOWRIVER
MAKE YOUR STAGE TO BE MORE EXCELLENT

230W Moving Head Beam (Model:YR-230BH)



User Manual

Please read these instructions carefully before use



合格证 Certification

产品名称: _____
Item Name

产品型号: _____
Item NO.

检验员: _____
Inspector

检验日期: _____
Inspection Date

执行标准: GB7000 · 217-2008
Implementation Standards

本产品经检验合格, 准予出厂!

This product passed the inspection

广东雅格莱灯光音响有限公司
Guangdong YaGe Lai Lighting & Audio Limited

全国电话: 400-618-4388
Tel:400-618-4388

保修卡 Protection to Fix Card

非常感谢您使用我们的产品

1.本产品从购买日起, 正常操作使用并未经拆修, 经保修人员确认属产品
大质量问题, 一年内享受保修服务(属中光源为属耗品只需三个月保修),
在作保正常情况下均提供维修。

2.保修卡应在购买时予填写, 保修卡无本公司保修章无效。产品维修时请带保修卡。

Very thank you for using our products

1. From the date of purchase, if the product is operated correctly without disassembling
and fixing, at the same time, the quality problem was confirmed by our after-sale
service department, we will offer maintenance service at any time under any normal
situation within one year.

2. The warranty card should be filled in at the time of purchase. The warranty card is
invalid without our company's warranty seal. Please bring the warranty card when
maintaining the product.

顾客姓名 Customer Name	购买日期 Purchasing Date	产品型号 Product Model	购买商 Purchaser
保修记录: Warranty Record			

广东雅格莱灯光音响有限公司
Guangdong YaGe Lai Lighting & Audio Limited

地址: 肇庆市高新区大旺大道14号肇庆万洋众创城10
Address: 10, Wangyongchuangcheng, No. 14, Dawang Avenue, Hsiao-shan, Zhanjiang
Zhaoding City, Guangdong Province

Note: The ideal working environment of this equipment is between 0-35 degrees, and the surface temperature of the lamp body is 40-70 degrees. In order to protect safe operation, it is absolutely necessary for users to follow the safety instructions and warnings in this manual.

SPECIFICATION

Light source parameters:

Light source: 230W

Average lifespan: 2000 hours

Color temperature: 7000K

Control parameter:

Optical path lens: Combined lens, the light output angle of the whole lamp is 1.3°, which can realize focusing and sharp beam

Strobe: double-chip strobe 1-30 times per second, support pulse strobe + effect strobe + random strobe

Dimming: linear dimming

Control signal: DMX512 (Digital MultipleX 512) + RDM, in line with international standards for lighting control transmission Protocol support console setting address code, support DMX interface upgrade software

Control channel: standard mode 18CH/extended mode 24CH

Operation mode: console, manual, master-slave, optional DMX512 wireless signal control

Color: 1 color wheel: 13 high-gloss coating colors + white light, step-change color, with two-way speed change Flow effect and rainbow Effect

Gobo: 1 metal legend disc: 14 legends + white light, gradually change the legend, with variable speed shaking, double to speed flow effect

Prism: 1 six linear prism+1 three-layer 8+8+8prism, which can be superimposed, adjustable speed rotation

Frost: 1 independent frost sheet, which can convert the beam into a dyeing effect

9. When replacing a light bulb, first disconnect the power supply, open the plastic shell of the lamp holder, then open the fan frame in the light bulb area, and replace the light bulb with the same specification as the lamp to be replaced.

Our company reserves the right to modify this product manual without prior notice.

V. Installation requirements:

1. When installing this equipment, please ensure that there are no extreme, flammable and explosive items (decorations) within 3 meters.
2. The distance between the direction of the light outlet of the lamp and the illuminated object should be at least 6 meters.
3. The light emitting direction of the lamp is an optical lens. During use, no external force can hit the glass. If the lens is damaged, you need to find relevant professionals to replace the lens with the same specification before use.
4. When the outer sheath of the power cord is damaged, you must find a professional to replace it with a new one of the same specifications before use.
5. When the product is suspended and installed, the load of the hanging parts must be at least three times greater than the weight of the product, and a safety rope must be fastened to the auxiliary suspension device of the lamp. The load of the safety rope must be greater than three times the weight of the product. above.
6. The lens and bulb of this product must be used together completely. When any accessory is damaged, it must be replaced by relevant professionals before it can continue to be used.
7. In the environment in which the product is used, it must be ensured that the current and voltage provided are within the range required by this manual, and have good grounding.
8. When the bulb is in use, it must be controlled within the usage time indicated on the bulb. After the usage time is reached, please replace the bulb in time before use. Otherwise, the bulb is easy to deform or explode, which may cause danger. (Lamp lifespans of different manufacturers will also be different)

Scanning: Pan 540 degrees /1.9S, tilt 270 degrees /1.0S, using photoelectric reset + Hall correction + zero and end point detection of double precise reset, so that positioning more accurate, automatic error correction, automatic return function, using smooth subdivision technology more stable operation

Display function: The screen can be reversed, switch between Chinese and English, automatically off the screen/keep on the screen, can display the bright bubble time, fault detection, software version information, can restore factory Settings

Light bulb opening mode: can set automatic lighting bubble on power-on, manual lighting bubble and console lighting bubble

Life protection: When the strobe is off (that is, the light is closed) for 1 hour, the lamp will automatically bubble out, effectively protect the life of the light source

Over-temperature protection: high sensitivity ceramic temperature control whole-process inspection, can automatically cut off the protection of light source

Working parameters:

Working voltage: AC100V-240V (50/60HZ)

Rated total power: 400W

Power factor: 0.99

Rated current: 1.82A

Maximum operating temperature: 40 degrees

Lights parameters:

Wire: high-voltage part uses high-temperature resistant silicone wire, weak current part uses 1332 Teflon high-temperature wire

Shell: high temperature resistant engineering plastic

Display: LCD screen display + 5 mechanical buttons

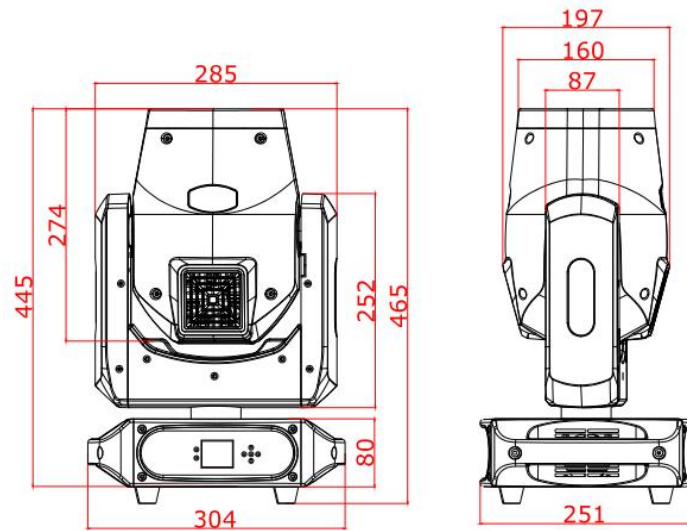
Power interface: powercorn, one blue (in)

Signal interface: Signal socket 3-core male + female, can be plugged into DMX512 wireless signal receiver

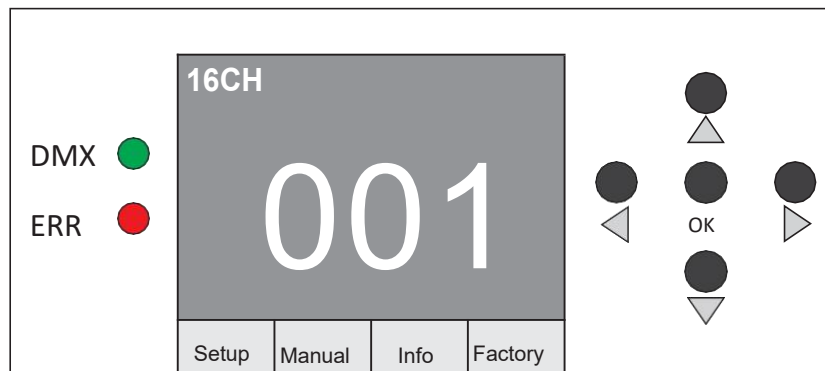
Net weight: 10.8kg

Compared with similar products, it is lightweight

I. Light size:



II. Menu description:



This lamp has a relatively high brightness and a relatively high light source temperature. When used, it must be kept at a distance of more than 6 meters from the illuminated object. It must not shine directly on a person's face at any time and at any angle.

1. Before use, check whether the power supply and voltage are normal. If the voltage fluctuates greatly in areas, it is recommended to use a voltage stabilizer or voltage regulator for power supply.
2. This equipment is IP20 rated. It is strictly prohibited to use dry ice machine smoke screen to cover the lamps.
3. This equipment is a first-class protection lamp, so the yellow and green wires must be grounded and cared for by professionals.
4. Do not touch the casing of this device with your hands when it is working.
5. Since this equipment uses a gas discharge bulb, when the use process is interrupted, the bulb needs to be allowed to cool naturally for 20 minutes. Later, the power can be turned on again.
6. The internal components of this equipment must be purchased from the manufacturer.
7. The product power cord must be grounded and well grounded.
8. Use the console and try to avoid the surroundings and interference sources when controlling. (Examples: wireless walkie-talkies, high-frequency transmitting sources, etc.)
9. When using this product, the same signal line can only control up to 20 units of the same product within 20 meters. If it exceeds this range, additional signal amplification equipment must be used to amplify the signal before it can be used.
10. If the display screen or lens has visible damage, that is, it is damaged to the point of failure, such as cracks or deep marks, it should be replaced;
11. The bulb is damaged or thermally deformed and should be replaced.

9	Frost	000-127 128-255	None Atomized sheet slide	
10	Zoom	000-255	Pattern clarity from far to near	
11	X axis	000-255	Pan 540 degree scan	
12	X axis fine	000-255	Pan 1.2 degree fine	
13	Y axis	000-255	Tilt 270 degree scan	
14	Y axis fine	000-255	Tilt 1.2 degree fine	
15	XY Speed	000-255	From fast to slow	
16	bulb control	000-099	invalid area	
		100-105	turn off the light bulb	
		200-205	light bulb	
		250-255	All motors reset	
18CH channels mode	17	halo	000-255	Light circle scene
	18	halo	000-255	Light circle speed
24CH channels mode	17	halo	000-255	Light circle dimmer
	18	halo	000-255	Light circle strobe
	19	halo	000-255	Light circle red
	20	halo	000-255	Light circle green
	21	halo	000-255	Light circle blue
	22	halo	000-255	Light circle Color macro
	23	halo	000-255	Light circle setting
24	halo	000-255	Light circle setting speed	

IV. Instructions and remarks



Warning. Electric shock

If the light source in this lamp needs to be replaced, it should be replaced by our company or our service agent or a person with similar qualifications.

1.Setting

Option	Description	
OPERATION	DMX	Slave status: Receives DMX signal from console or host
	Setting	Customized Scene Running
	Voice control	Host state: self-walk and send DMX signal to slave
	Auto	
Scene Settings	Customize the scene Settings	
DMX address	1~512	Press "OK" to enter the edit state. At this time is to select hundreds, press "up" "down" key to change the address code. Press "OK" again to select ten edits. Press "OK" again to select the ones edit. Press one more time to exit editing
Bulb	Off	Close light
	On	Open light
Motor reset	Off	
	On	Lights reset
CH MODE	Standard18CH Extend 24CH	Standard18 channels Extend 24 channels
Language	Chinese	Set the interface to Chinese
	English	Set the interface to English
Screen revert	Off	manifest
	On	Screen inverted display
X reverse	Off	
	On	
Y reverse	Off	
	On	

XY exchange	Off	
	On	Channel for switching XY axes (including fine tuning)
XY encoder	On	Use the encoder (optocoupler) to determine the out-of-step and automatically correct the position
	Off	No encoder (optocoupler) is used to correct the position
DMX signal	Keep	The disconnected signal continues to operate in its original state
	Clear	Disconnect the signal motor to return and stop running
Boot bright bulb	Off	Direct reset after power-on, no light bulb (need to use the menu or console to manually light the bubble)
	On	After power-on, the bubble will be automatically lit, and the lamp will be reset only after it is successfully lit
1 hour off foam	Off	
	On	After the strobe is turned off, the bubble is removed for 1 hour
Color linearity	On	The color wheel changes linearly
	Off	The color wheel changes non-linearly and the half-color changes
restore default settings		Press "OK" to see the confirmation dialog box, press "OK" again to restore the default Settings

4		080- 084	Fixed gobo 3 shake (from slow to fast)
		085- 089	Fixed gobo 4 shake (from slow to fast)
		090- 094	Fixed gobo 5 shake (from slow to fast)
		095- 099	Fixed gobo 6 shake (from slow to fast)
		100- 104	Fixed gobo 7 shake (from slow to fast)
		105- 109	Fixed gobo 8 shake (from slow to fast)
		110- 114	Fixed gobo 9 shake (from slow to fast)
		115- 119	Fixed gobo 10 shake (from slow to fast)
		120- 124	Fixed gobo 11 shake (from slow to fast)
		125- 129	Fixed gobo 12 shake (from slow to fast)
130- 134	Fixed gobo 13 shake (from slow to fast)		
135- 139	Fixed gobo 14 shake (from slow to fast)		
140-200	Positive flow effect(from fast to slow)		
201-255	Reverse flow effect(from slow to fast)		
5	Prism 1	000-127	Prism fade
		128-255	Prism slide
6	Prism 1 rotation	000-127	Prism Angle adjustment
		128-190	Reverse rotation (from fast to slow)
		191-192	Stop
		193-255	Positive rotation (from slow to fast)
7	Prism 2	000-127	Prism 2 fade
		128-255	Prism 2 slide
8	Prism 2 rotation	000-127	Prism Angle adjustment
		128-190	Reverse rotation (from fast to slow)
		191-192	Stop
		193-255	Positive rotation (from slow to fast)

2	Strobe	000-003	Shutter close
		004-103	Strobe from slow to fast
		104-107	shutter open → (controlled by dimming channel)
		108-207	Pulse strobe from slow to fast
		208-212	shutter on → (controlled by dimming channel)
		213-251 252-255	Random strobe from slow to fast shutter on → (controlled by dimming channel)
3	Dimmer	000-255	From dark to light
4	Gobo	000- 004	Fixed gobo 1
		005- 009	Fixed gobo 2
		010- 014	Fixed gobo 3
		015- 019	Fixed gobo 4
		020- 024	Fixed gobo 5
		025- 029	Fixed gobo 6
		030- 034	Fixed gobo 7
		035- 039	Fixed gobo 8
		040- 044	Fixed gobo 9
		045- 049	Fixed gobo 10.
		050- 054	Fixed gobo 11.
		055- 059	Fixed gobo 12
		060- 064	Fixed gobo 13
		065- 069	Fixed gobo 14
		070- 074	Fixed gobo 1 shake (from slow to fast)
		075- 079	Fixed gobo 2 shake (from slow to fast)

2.Manual

This interface is used to control the current lamp (does not receive DMX signal), corresponding to the channel. Refer to channel table for details

Option	Description
1CH.	Press "OK" to enter the edit state. At this time, it is to select hundreds, press the "up" and "down" keys to change the channel value. Press "OK" again to select ten edits. Press "OK" again to select the ones edit. Press one more time to exit editing
.....	
15CH.	
.....	0~255

3.Information

Option	Description
VER	version number
DIS	Display version
MT	Motor version
time information	1. Total bright bubbles Record the accumulated brightening bubble time 2. Total usage Record the use time of the lamps
Systematic mistake	If the red ERR indicator lights up, it means that the operation of the lamp is wrong, and the details can be entered into the sub-interface to view. After checking, you can press the "Clear" key to clear the error record
blower speed	Display current blower speed
Hall state	0000000 It is 0 when magnetic is detected, and 1 otherwise

The X-axis encodes the disk step value	0000	The step value should increase when walking in the positive direction and decrease when walking in the opposite direction. The value is normal every time you go to the same point
The X-axis encodes the disk step value	0000	
Limited time		9999No encryption; Other values can be used with time to have encryption

4、 Error info Description

Error info	Description
MT board connection failed	The motor board did not work. There is a problem with wire connecting the display board and the motor board, or there is a problem with the motor board.
Pan reset failed	Problem may occur on pan photoelectric switch, or pan motor or motor board
Tilt reset failed	Problem may occur on tile photoelectric switch, or tile motor or motor board
Pan hall	Pan hall has error
Tilt hall	Tilt hall has error
Color wheel reset failed	color wheel hall or color wheel motor has error
Gobo wheel reset failed	Gobo wheel hall or gobo motor has error
Focus reset failed	focus hall or focus motor has error
Lamp control failed	Failed to light up or turn off the bulb, there is a problem with the ignitor or bulb

5.CHANNELS PARAMENTS

1	Color wheel	000-004	White
		005 -009	white +Color 1 red
		010- 014	Color 1 red
		015- 019	Color 1 red +color2 yellow
		020- 024	Color 2 yellow
		025- 029	Color 2 yellow + Color 3 blue
		030- 034	Color 3 blue
		035- 039	Color 3 blue +Color 4 green
		040- 044	Color 4 green
		045- 049	Color 4 green +Color 5 orange
		050- 054	Color 5 orange
		055- 059	Color 5 orange +Color 6 purple
		060- 064	Color 6 purple
		065- 069	Color 6 purple+Color 7 rose red
		070- 074	Color 7 rose red
		075- 079	Color 7 rose red+Color 8 light yellow
		080- 084	Color 8 light yellow
		085- 089	Color 8 light yellow+Color 9 light blue
		090- 094	Color 9 light blue
		095- 099	Color 9 light blue+Color 10yellow-green
100 -104	Color 10 yellow-green		
105 -109	Color 10 yellow-green+Color11 orange-red		
110 -114	Color 11 orange-red		
115 -119	Color 11 orange-red+Color 12 tan		
120 -124	Color 12 tan		
125 -129	Color 12 tan+Color 13 CTB		
130 -134	Color 13 CTB		
135 -139	Color 13 CTB+ white light		
140 -200	Positive flow effect(from fast to slow)		
201- 255	Reverse flow effect(from slow to fast)		