



420W Moving Head Beam Light (Model: YR-421B)



User Manual

Please read these instructions carefully before use

Attention:

Any damage caused by disregard of this manual is not covered by the warranty. The manufacturer does not assume any responsibility for any consequences and problems caused by disregard of this manual. Please note that the damage caused by violation of the operating rules is not covered by the warranty.

Technical parameters:**Light source parameters:**

Light source: 420W

Average life expectancy: 3500 hours

Color temperature: 7600K

Control parameters:

Optical path lens: combined lens, the light Angle of the whole lamp is 1.3°

Stroboscopic: two-piece stroboscopic 1-30 times/second, support pulse stroboscopic + effect stroboscopic + random stroboscopic

Dimming: Linear dimming

Control signal: DMX512(Digital MultipleX 512)+RDM

Control channel: 16/20 channel

Operation mode: console, manual, master-slave, optional DMX512 wireless signal control

Heat dissipation of light source: 2 4-line turbine fans + gyroscope control the rotation of the fan at different angles to accurately blow the lamp +2 high-power fans convection air, active heat dissipation, to ensure more stable products.

Color: 1pcs color tray: 13 high-gloss coating colors (including 1 CTO and 1 CTB) + white light, with two-way variable speed flow effect and rainbow effect

Gobo: 1pcs metal gobo wheel: 17pcs patterns + white light, step conversion pattern, with variable speed jitter, two-way variable speed flow effect

Prism: 1pcs 8 prism +1pcs 8+16 double-layer honeycomb prism, superimposed to obtain 16+24 double-layer prism, can be independently rotated, with two-way variable speed rotation effect

Six-color tray: 6 high-gloss coating colors, with prism can produce six-color prism effect

Frost: 1 independent frost wheel, which can convert the beam into dyeing effect

Scanning: horizontal 540 degrees 2.3S/ cycle, vertical 270 degrees 1.2S/ cycle, three-phase motor, using photoelectric reset + Hall correction + zero point, end point detection of double precision reset, so that positioning is more accurate, while automatic error correction, with automatic return function, smooth subdivision technology runs more smoothly

Display function: The screen can be reversed, Chinese and English switch, automatic screen off/persistent bright screen, can display the bright bubble time, fault detection, software version information, can restore factory Settings

Over temperature protection: high sensitivity ceramic temperature control full control, can automatically cut off the protection of the light source

Light bulb opening mode: can set automatic lighting bubble, manual lighting bubble and console lighting bubble

Safety protection: Automatically cut off the power supply when the body overheats or the system fails

Working parameters:

Operating voltage: AC100V-240V

Total rated power: 800W

Power factor: 0.99

Rated current: 3.64A

Maximum ambient temperature: 40 degrees

Light parameters:

Wire: The high pressure part uses high temperature resistant silicone wire, the weak part uses 1332 Teflon high temperature wire

Shell: high temperature and fire retardant engineering plastic

Display: Touch LCD display +5 mechanical buttons

Power interface: Hand 1.5 m power cord +16A waterproof plug, more convenient project



合格证

Certification

产品名称: _____
Item Name

产品型号: _____
Item NO.

检验员: _____
Inspector

检验日期: _____
Inspection Date

执行标准: GB7000 - 217-2008
Implementation Standards

本产品经检验合格, 准予出厂!
This product passed the inspection

广东雅格莱灯光音响有限公司
Guangdong YaGe Lai Lighting & Audio Limited
全国电话: 400-618-4388
Tel: 400-618-4388

保修卡

Protection to Fix Card

非常感谢您使用我们的产品

1. 本产品从购买日起, 正常操作使用并未经拆修, 经保修人员确认属产品大质量问题, 一年内享受保修服务(其中光源为易耗品只享受三个月保修), 在作保正常情况下均提供维修。

2. 保修卡应在购买时予填写, 保修卡无本公司保修章无效。产品维护时请带保修卡。

Very thank you for using our products

1. From the date of purchase, if the product is operated correctly without disassembling and fixing, at the same time, the quality problem was confirmed by our after-sale service department, we will offer maintenance service at any time under any normal situation within one year.

2. The warranty card should be filled in at the time of purchase. The warranty card is invalid without our company's warranty seal. Please bring the warranty card when maintaining the product.

顾客姓名 Customer Name	购买日期 Purchasing Date	产品型号 Product Model	购买商 Purchaser
保修记录: Warranty record			

广东雅格莱灯光音响有限公司
Guangdong YaGe Lai Lighting & Audio Limited
地址: 肇庆市高新区大江大道41号肇庆万洋众创城C10
Address: C10 Wanyangguochuangcheng No. 41 Dajiang Avenue Dazang High-tech Zone, Zhaoqing City, Guangdong Province

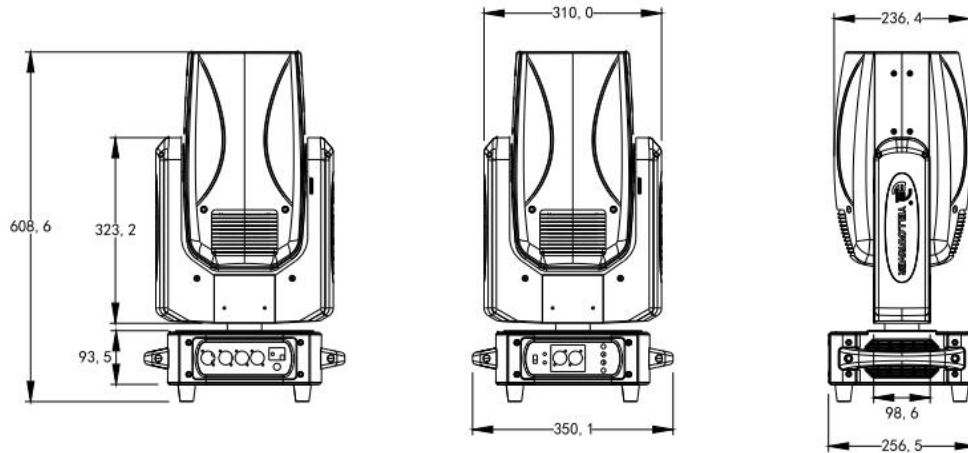
Signal interface: hand in hand 1.5 meters to connect the signal line, the project is more convenient

IP rate: IP20

Accessories: Equipped with folding integrated light hook, easy to install engineering performance

Net weight: 18KG

1. Size



2. Menu description

DMX Menu

DMX address	001~512	Button description: Press up or down is +1 or -1 mode; Right-click is the next one; Press the left button is the previous one; The confirm key is save and exit. Manual instructions: Enter the hundreds digit first, then the tens digit, and finally a digit. (For example: Enter the 286 address code, it is necessary to click 2, then 8, and finally 6)
DMX channel	16CH	16-channel mode
	20CH	20-channel mode

5. Installation requirement

1. The product shall be free from corrosive vapors and gases in the operating environment and shall not contain inflammable and explosive articles.
2. Keep the distance between the light outlet direction and the subject at least more than 3 meters.
3. The direction of the light is an optical lens. No external force can hit the glass in the process of operation. If the lens is damaged, it can only be used after the professional technician replacing the lens of the same specifications .
4. When the outer cover of the power cord is damaged, it must be replaced with a new power cord of the same specification by relevant professional personnel before use.
5. When the product is hung and installed, the load bearing of the hanging device shall be at least 3 times greater than the weight of the product, and the safety rope shall be fastened on the auxiliary hanging device of the lamp, and the load bearing of the safety rope shall be more than 3 times greater than the weight of the product.
6. The lens and light source of this product must be fully used together. When any part is damaged, it shall be replaced by relevant professional personnel before it can be used again.
7. In the operating environment, it must be determined that the current voltage provided is within the range required by this specification and well grounded.

The company reserves the right to amend this product manual without prior notice

4.Instructions and remarks



Warning. Electric shock

The light source inside this lamp should be replaced by our company or our service agent or person with similar qualification

- 1.Check whether the power supply and voltage are normal before use. If the voltage fluctuates greatly, it is recommended to use voltage stabilizer or voltage regulator.
- 2.The equipment belongs to the first-level protective lamps. The power cord of the product must be grounded and well grounded when used.
- 3.This equipment shell temperature around 40 to 60 °C while work, do not touch the shell.
- 4.The internal components of the equipment must be purchased from the manufacturer.
5. Use the console control as far as possible avoid neighbors have interference sources (example: wireless walkie-talkie, high frequency source, etc.)
6. When using this product, the same signal lines within 20 meters maximum control 20 sets of the same products, beyond this range should be an additional signal amplification devices amplify the signal to use .
7. Light source in use, must be controlled within the indicated the use time of light source, out of timer, please change the lamp.
8. When replacing the lamp, power dump firstly, open the head's plastic cover, and open the fan shelf in the lamp area,then replace with a same specification lamp.

DMX signal	Stay	Disconnect the console signal and the lamp will keep the data from the original console
	Clear	Disconnect the console signal and clear the console data
RDM function	open	It has the RDM function
	close.	The RDM function is unavailable
DMX monitoring		Detect console data

Light setting

Language	Chinese	Set the interface to Chinese
	English	Set the interface to English
Screen flip	close.	Frontal display
	open	Screen inverted display
screensaver	open	Have a screensaver
	close.	No screen protection
X reversal	close.	
	open	
y-inversion	close.	
	open	
XY exchange	close.	
	open	Channel for switching XY axes (including fine tuning)
XY encoder	open	Use the encoder (optocoupler) to determine the out-of-step and automatically correct the position
	close.	No encoder (optocoupler) is used to correct the position
Color linearity	open	The color wheel changes linearly
	close.	Color wheel nonlinear change, half-color change

Restore default		Press "OK" to see the confirmation dialog box, press "OK" again to restore the default Settings
-----------------	--	---

Operation mode

Option	Description	
self-propelled	ON	Master status: Self-drive and send DMX signal to slave
	OFF	
Manual control		This interface is used to control the current light (does not receive DMX signals), corresponding to the channel. Refer to the channel table for details
Light reset		Full motor reset
XY reset		XY motor reset
MT reset		Small motor reset

Operation mode

Option	Description	
self-propelled	ON	Master: Self-drive and send DMX signal to slave
	OFF	
Manual control		This interface is used to control the current light (does not receive DMX signals), corresponding to the channel. Refer to the channel table for details
Light reset		Full motor reset
XY reset		XY motor reset
MT reset		Small motor reset

System information

Option	Description	
System version	Ver	Display board version
	DIS	Display board software version
	MT	Motor board software version

6	Prism 1 rotation	191-192	stop
		193-255	Forward rotation (slow to fast)
7	Prism 2	000-127	Prism 2 ejection
		128-255	Prism 2 insertion
8	Prism 2 rotation	000-127	Prism Angle adjustment
		128-190	Reverse rotation (fast to slow)
		191-192	stop
		193-255	Forward rotation (slow to fast)
9	focusing	000-255	Pattern clarity from far to near
10	X-axis	000-255	Horizontal 540 degree scan
11	X-axis trim	000-255	Horizontal 1.2 degree fine adjustment
12	Y-axis	000-255	Vertical 270 degree scan
13	Y-axis fine-tuning	000-255	Vertical 1.2 degree fine adjustment
14	Frost	000-127	empty
		128-255	Frost cut
15	Rainbow effect	000-127	Empty
		128-255	Multi color cut
16	Lamp & reset	000-099	Invalid area
		100-105	Put out the bulb
		200-205	Light a bulb
		210-215	XY motor reset
		220-225	Small motor reset
		250-255	Full lamp reset
17	XY velocity	000-255	Speed from fast to slow
18	Color wheel speed		
19	Dimming - Prism - frost speed		
20	Gobo speed		

4	Gobo wheel	050 - 054	Fixed gobo 11
		055 - 059	Fixed gobo 12
		060 - 064	Fixed gobo 13
		065 - 069	Fixed gobo 14
		070 - 074	Fixed gobo 15
		075 - 079	Fixed gobo 16
		080 - 084	Fixed gobo 17
		085 - 089	Fixed gobo 18
		090 - 094	fixed gobo 1 Jitter(from slow to fast)
		095 - 099	fixed gobo 2 Jitter (from slow to fast)
		100 - 104	fixed gobo 3 Jitter (from slow to fast)
		105 - 109	fixed gobo 4 Jitter (from slow to fast)
		110 - 114	fixed gobo 5 Jitter (from slow to fast)
		115 - 119	fixed gobo 6 Jitter (from slow to fast)
		120 - 124	fixed gobo 7 Jitter (from slow to fast)
		125 - 129	fixed gobo 8 Jitter(from slow to fast)
		130 - 134	fixed gobo 9 Jitter(from slow to fast)
		135 - 139	fixed gobo 10 Jitter (from slow to fast)
		140 - 144	fixed gobo 11 Jitter(from slow to fast)
		145 - 149	fixed gobo 12 Jitter (from slow to fast)
150 - 154	fixed gobo 13 Jitter (from slow to fast)		
155 - 159	fixed gobo 14 Jitter (from slow to fast)		
160 - 164	fixed gobo 15 Jitter(from slow to fast)		
165 - 169	fixed gobo 16 Jitter (from slow to fast)		
170 - 174	fixed gobo 17 Jitter (from slow to fast)		
175 - 179	fixed gobo 18 Jitter (from slow to fast)		
180 - 220	Reverse flow (fast to slow)		
221 - 255	Forward flow (slow to fast)		
5	Prism 1	000-127 128-255	Prism 1 ejection Prism 1 entry
6	Prism 1 rotation	000-127 128-190	Prism Angle adjustment Reverse rotation (fast to slow)

	FAN	Fan board software version
Temperature information		Display board, motor board onboard, motor board NTC current temperature
Fan information		Show the blower speed
System time	Displays total brightening time	
	The brightening time is displayed	
	Displays total usage time	
	Displays the current usage time	
	Permission duration	9999 means no encryption and can be used for a long time. Other values represent the remaining time of use, encrypted;
Sensor monitoring	X Hall Y Hall Color hall Pattern hall Focusing hall X-coded state Y code state	Optocoupler Hall status check; 0 when magnetic is detected, otherwise 1;
	X encoding step value Y encoding step value	XY encoding step value: the step value should be increased in the forward direction, and the step value should be reduced in the reverse direction. The value is normal every time you go to the same point;
System error		Shows which function of the lamp is faulty

Lamp control

Option	Description	
bulb	ON	bubbling
	OFF	defoaming
Bright bubble on startup	ON	Reset complete, automatic light bubble
	OFF	After the reset is complete, the bubble will not automatically light up
Interval time	0-20	Bubble interval (unit minute)
Wind speed low off bubble	ON	When the speed of the blower is detected to be too low, the bubble will be extinguished
	OFF	When the blower speed is detected to be too low, the bubble will not be extinguished

3. DMX512 CHANNEL

1	Color wheel	000-004	White light
		005 -009	White light + Color 1
		010 - 014	Color 1
		015 - 019	Color 1+ color 2
		020 - 024	Color 2
		025 - 029	Color 2+ color 3
		030 - 034	Color 3
		035 - 039	Color 3+ color 4
		040 - 044	Color 4
1	Color wheel	045 - 049	Color 4+ color 5
		050 - 054	Color 5
		055 - 059	Color 5+ color 6
		060 - 064	Color 6
		065 - 069	Color 6+ color 7
		070 - 074	Color 7
		075 - 079	Color 7+ color 8
		080 - 084	Color 8

		085 - 089	Color 8+ color 9
		090 - 094	Color 9
		095 - 099	Color 9+ color 10
		100 -104	Color 10
		105 -109	Color 10+ color 11
		110 -114	Color 11
		115 -119	Color 11+ color 12
		120 -124	Color 12
		125 -129	Color 12+ color 13
		130 -134	Color 13
		135 -139	Color 13+ white light
		140 - 200	Forward flow (fast to slow)
		201 - 255	Reverse flow (slow to fast)
2	stroboscopic	000-003	Shutter off
		004-103	Stroboscopic from slow to fast
		104-107	Light gate open
		108-207	Pulse stroboscopic from slow to fast
		208-212	Light gate open
		213-251	Random stroboscopic from slow to fast
		252-255	Light gate open
3	dimming	000-255	From dark to light
4	Gobo wheel	000 - 004	Fixed gobo 1
		005 - 009	Fixed gobo 2
		010 - 014	Fixed gobo 3
		015 - 019	Fixed gobo 4
		020 - 024	Fixed gobo 5
		025 - 029	Fixed gobo 6
		030 - 034	Fixed gobo 7
		035 - 039	Fixed gobo 8
		040 - 044	Fixed gobo 9
		045 - 049	Fixed gobo 10