



YELLOWRIVER
MAKE YOUR STAGE TO BE MORE EXCELLENT

720PCS*0.5W Warm White+720PCS*0.5W Pure White

Mute Conference Light

(Model:YR-W1440)



User Manual

Please read these instructions carefully before use

Use ambient temperature: <40 degrees

Attention:

The ideal working environment of this equipment is between 0-35 degrees, and the surface temperature of the light body is 40-70 degrees. In order to protect safe operation, it is absolutely necessary for users to follow the safety instructions and warnings in this manual.

1. Technical specification:

- **Light Source:**

1440x0.5W(720 PCS Warm White 3200K + 720 PCS Pure White 5600K)

Light source life: 50000 hours

Anti-static: up to 2000V HBM

Heat conduction of light source: 4.0 coefficient silicone grease + high efficiency heat conduction chassis

Lighting angle: 120 degrees

Color rendering index: ≥ 90

- **Control parameters**

Strobe: 0-20Hz

Dimmer: standard dimmer

Control: DMX512(Digital MultipleX 512)+ RDM, comply with international standard lighting control transmission protocol.

Channel: CH2

Operation mode: console, button + 2 knobs; brightness adjustment + color temperature adjustment

Color temperature adjustment: 3200K-5600K

Cooling method: natural heat dissipation by high thermal conductivity fins

Noise: silent, no fan

Over-temperature protection: power reduction protection for high temperature above 80 degrees

Real-time monitoring: the temperature of light source, signal display

- **Working parameters:**

Voltage: AC100V~240V (50/60Hz)

Rated power: 350W

Power factor: 0.56

Rated current: 1.14A

9. The input power cord of this product is equipped with a specification of 1.0 square meters. When connecting hand in hand, no more than 4 lamps can be connected. The company shall not be responsible for the use of burnt lamps and other accidents that do not follow this requirement.

10. If the display screen and lens are visibly damaged, that is, damaged to the point of failure, such as cracks or deep marks, they should be replaced.

7. Instructions and remarks :

1. When installing this device, please ensure that there are no extreme, flammable and explosive items (decorations) within a distance of 3 meters.
2. The distance between the direction of the light outlet of the light and the object to be illuminated should be kept at least 0.5 meters.
3. The light output direction of the lamp is the optical lens, and there should be no external force hitting the glass during use. If the lens is damaged, you need to find a professional to replace the lens with the same specification before using it.
4. When the sheath of the power cord is damaged, you must find a professional to replace it with a new one of the same specification before using it.
5. When the product is hung and installed, the load of the hanging parts must be at least 3 times the weight of the product, and a safety rope should be buckled on the auxiliary suspension device of the light. The load of the safety rope should be more than 3 times the weight of the product.
6. When the light is in use, it must be controlled within the use time indicated by the light source. After the use time is reached, please replace the light source in time before use, otherwise the light source is easily deformed or weakened, which will affect the use.

The company reserves the right to modify this product manual without notice.

- Light parameters:

Case : a full set of aluminum alloy (high temperature resistance), fine sand paint (high-end wear-resistant)

Display: LED color screen + 4 mechanical buttons + 2 knobs, support 30 seconds off screen and continuous on screen dual mode, support Chinese and English switching, time display

Power interface: one in(Blue) one out(White) powercon

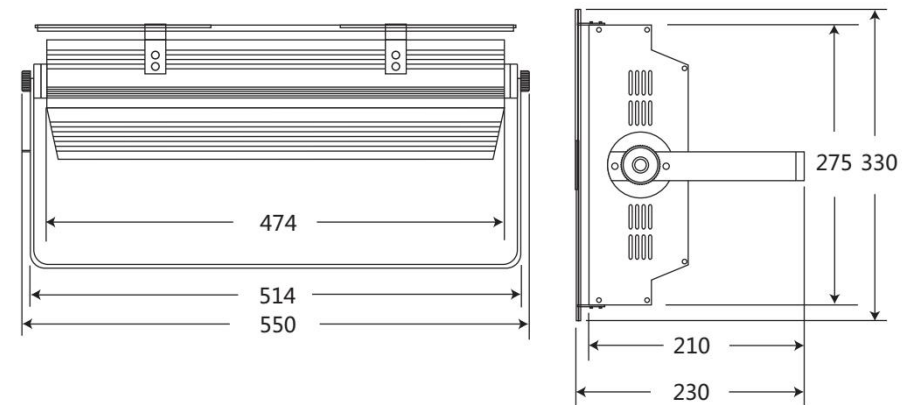
Signal interface: 3 pin(5 pin for optional) ,one in one out

Barndoor: with barndoor

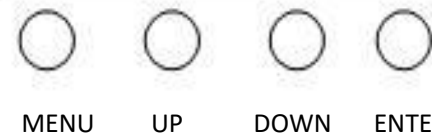
Waterproof grade: IP20

Net Weight:9.4 KG

Size:



2.Operation Instruction:



Press the MENU key to cycle through 9 different menus. Press the ENTER key to enter the corresponding menu, press UP (plus key) or DOWN (minus key) to modify the current value. Press the ENTER key to save the current value.

3.Menu function reference table:

S/N	English display		Chinese display		Description
1	DMX Address	001	Console address	001	Address code
2	Rotary-DIM	Bright 000-255	Knob dimming	Brightness 000-255	The knob can adjust the color temperature and brightness
3	Brightness	000-255	Brightness	000-255	Brightness
4	CCT	3200K- 6500K	Color temperature	3200K- 6500K	Color temperature
5	DMX keep	ON/OFF	DMX keep	OFF/ON	No signal
6	Back light	ON/OFF	Back light	OFF/ON	Back light
7	Dmx Prio	ON/OFF	Console Prio	OFF/ON	Console Prio
8	Language	EN	Language	CN	Switch between Chinese and English
9	System info		System info		System info

4.DMX512 channel description:

2 Channels:

S/N	Function	Description
Channel 1	Brightness adjustment	0-255 : Brightness adjustment , from Dark to Bright.
Channel 2	Color temperature adjustment	0-255: 3200K--6500K. (Due to the adjustment error, the color temperature data is only used as a reference data)

5.Master-Slave Control Model:

Master and slave: Set up one fixture as Master fixture(triggering), other fixtures as slave fixtures(the DMX menu, and the address code must be 001) , Slave fixtures under DMX add. Connect the signal cable, the slave fixtures will run and keep function synchronism as master fixtures.

The console controls multiple products: Set all products to the same or different address code values (note: before controlling, the controlled products must be uniformly set to the DMX menu to control synchronously, and the address code value is set to 001), connect the signal line, At this time, the slave machine is controlled by the console, and its functions are synchronized with the current functions of the console.

6.Instructions and remarks :

1. Before use, check whether the power supply and voltage are normal. If the voltage fluctuates greatly, it is recommended to use a voltage stabilizer or voltage regulator for power supply.
2. This equipment is IP20 grade, it is strictly forbidden to use dry ice machine smoke screen to cover lights.
3. This equipment belongs to the first-class protection lamps, so the yellow and green double-colored wires must be grounded, and it must be taken care of by professionals.
4. Do not touch the shell with your hands when the device is working
5. The internal components of this equipment must be purchased from the manufacturer.
6. The product power cord must be grounded and well grounded.
7. When using the console, try to avoid left and right neighbors when controlling, and whether there is any source of interference. (Example: wireless walkie-talkie, high-frequency transmission source, etc.)
8. When using this product, the same signal line can control up to 20 sets of the same product. If it exceeds this range, additional signal amplification equipment is required to amplify the signal, and a terminator is installed on the DMX output port of the last lamp, and a 120 ohm (The error is within 5 ohms) The 1/4W resistor is between Pin2 and Pin3.