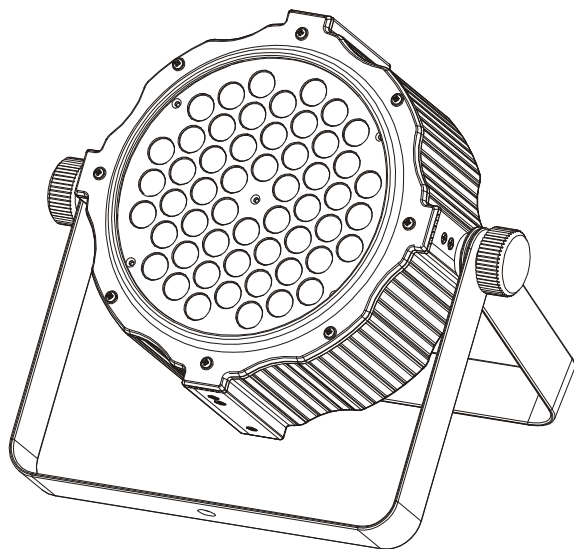




**YELLOWRIVER**  
MAKE YOUR STAGE TO BE MORE EXCELLENT

# LED PAR LIGHT



## YR-1190

### User Manual

*Please read these instructions carefully before use*



## Warning



**For you safe, Please read this user manual carefully before turn on this lighting equipment. This machine should be operated by professional!**

- Please conserve this manual as operation guidance. If you sell this product to other user, please make sure that they also have this user manual.
- Before use this machine, please carefully check if there is any damage during transportation.
- Before power on, please make sure that the input voltage is matched.
- To avoid electric shock, this lighting machine should be earth,
- This lighting is for dry indoor used only.
- This lighting should be put in airiness place, at least 50cm away from other article, and make sure airway is not blocked.
- Cut off electric before move, repair and clean the machine.
- Strictly forbid to put inflammable article near when this machine is running. Or it will easily build fire.
- The max environment temperature for this machine to run is 40°C, forbid to run it if temperature is higher than this.
- When machine is running, surface temperature of the shell can be up to 60°C, scald will be cause if touch it.
- Safe wire should be used to install machine. Bearing of safe wire should be 3times of the machine weight.
- Stop the machine if running abnormal. And contact the nearest authorized service center. Do not repair by yourself, unprofessional repair can damage the machine or cause malfunction.
- In case electric shock, do not touch electric wire when this unit is running,.
- Do not power on and power off the machine in short time, or machine lifespan will be shorter.
- When use DMX controller, please make sure that there is no interfering resource(e.g. wireless intercom, high-frequency radiation source )
- To avoid electric shock or fire, forbid to put the machine in rain or wet place.
- If problem with shell or lamps, these should be changed before run this unit.

- Not any part is allowed to be repaired by customer, do not open the machine by yourself, or it will case damage, or make it out of insurance. Please contact manufacture or dealer when there is problem.
- Any damage that cased by violating this manual is out of insurance, our company will not take the responsibility.

## Installation

- This machine should be mounted via the screw holes of the truss, make sure that the truss is strong enough and will not let the machine slide or drop when machine is running to cause shake. The bearing of truss should be 3 times of machine weight. And make sure to use safe wire which bearing 3 time of machine weight.

## Specification of YR-1190

Voltage: AC110V-240V

Frequency: 50/60HZ

Wattage: 120W(1W) / 180(3W)

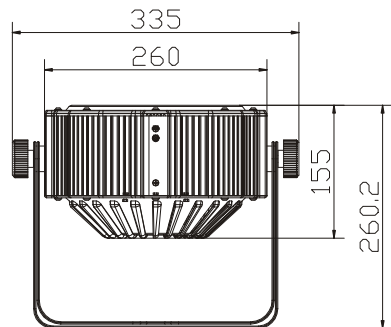
LED: 54pcs RGBW/R12/G14/B14/W14

Beam Angle: 30degree (standard)

Signal Control: DMX512

Channels: 5/9ch (switchable)

Control Mode: DMX、sound active、auto and master/slave



## Specification of YR-1190-I

Voltage: AC110V-240V

Frequency: 50/60HZ

Wattage : 180W(54pcs 3W)/120W(54pcs 1W/36pcs 3W)

LED.: 54pcs RGB/R18/G18/B18

36pcs RGB/R12/G12/B12

Beam Angle: 30degree (standard)

YR-1190

Signal Control: DMX512

Channel: 4/8ch (switchable)

Control Mode: DMX、 sound active、 auto and master/slave

## **Specification of YR-1190-II**

Voltage: AC110V-240V

Frequency: 50/60HZ

Wattage: 180W(54pcs 3W 3in1)/120W(36pcs 3W 3in1)

LED: 54pcs 3W 3in1 /36pcs 3W 3in1

Beam Angle: 25degree (Pearl surface)

Signal Control: DMX512

Channel: 4/8ch (switchable)

Control Mode: DMX、 sound active、 auto and master/slave

## **Specification of YR-1190-III**

Voltage: AC110V-240V

Frequency: 50/60HZ

Wattage: 150W

LED: 12pcs 10W 4in1

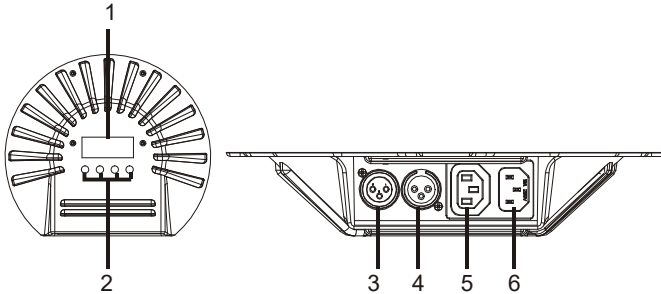
Beam Angle: 40degree

Signal Control: DMX512

Channel: 5/9ch (switchable)

Control Mode: DMX、 sound active、 auto and master/slave

## **Operation Panel**



### 1. Display

Display menu and selected function.

### 2. Button

MENU	switch menu function
UP	On function: page up On numerical value: increase value
DOWN	On function: page down On numerical value: reduce value
ENTER	Settle selected function and value

### 3. DMX signal input

Control model by DMX signal, please use 3pin XLR signal cable.

### 4. DMX Signal output

Transfer DMX signal to next model, please use 3pin XLR signal cable.

### 5. Power output

Connect to obtain power (attention: please use connect to stated voltage.)

### 6. Power input

Connect to obtain power

## LED displayed function reference table A: YR-1190 / YR-1190-III

No.	Menu	Function (press ENTER button)
-----	------	-------------------------------

1	r— —	r000 to r255: R dimmer, from dark to light	The 4 color's different brightness can mix out all kinds of color
2	g— —	g000 to g255: G dimmer, from dark to light	
3	b— —	b000 to b255: B dimmer, from dark to light	
4	n— —	n000 to n255: W dimmer, from dark to light	
5	C— —	C000 to C255: 7 color shade speed, from slow to fast	
6	J— —	J000 to J255: 7 color skip speed, from slow to fast	
7	FS— —	FS00 to FS09: choose flashing color	
8	F— —	F000 to F255: flash speed, from slow to fast	
9	LS— —	LS00 to LS09: 7 color selecting	
10	L— —	L000 to L255: 7 color dimmer, from dark to light.	
11	U— —	U000 to U255: sound active speed, from slow to fast	
12	A— —	A000 to A255: auto speed, from slow to fast	
13	d9CH	DMX9 channel mode, should link to DMX controller	
14	d5CH	DMX5 channel mode, should link to DMX controller	

**LED displayed function reference table B: YR-1190-I/ YR-1190-II**

No.	Menu	Function (press ENTER button)	
1	r— —	r000 to r255: R dimmer, from dark to light	The 4 color's different brightness can mix out all kinds of color
2	g— —	g000 to g255: G dimmer, from dark to light	
3	b— —	b000 to b255: B dimmer, from dark to light	
4	C— —	C000 to C255: 7 color shade speed, from slow to fast	
5	J— —	J000 to J255: 7 color skip speed, from slow to fast	
6	FS— —	FS00 to FS09: choose flashing color	

7	F— —	F000 to F255: flash speed, from slow to fast
8	LS— —	LS00 to LS09: 7 color selecting
9	L— —	L000 to L255: 7 color dimmer, from dark to light。
10	U— —	U000 to U255: sound active speed, from slow to fast
11	A— —	A000 to A255: auto speed, from slow to fast
12	d9CH	DMX9 channel mode, should link to DMX controller
13	d5CH	DMX5 channel mode, should link to DMX controller

### DMX512 channel chart: (4CH)

Channel	Function	specification
CH 1	Total Dimmer	R G B total linear dimmer, from dark to light
CH 2	R dimmer	R linear dimmer, from dark to light
CH 3	G dimmer	G linear dimmer, from dark to light
CH 4	B dimmer	B linear dimmer, from dark to light

### DMX512 channel chart: (5CH)

Channel	Function	specification
CH 1	Total Dimmer	R G B total linear dimmer, from dark to light
CH 2	R dimmer	R linear dimmer, from dark to light
CH 3	G dimmer	G linear dimmer, from dark to light
CH 4	B dimmer	B linear dimmer, from dark to light
CH 5	W dimmer	W linear dimmer, from dark to light

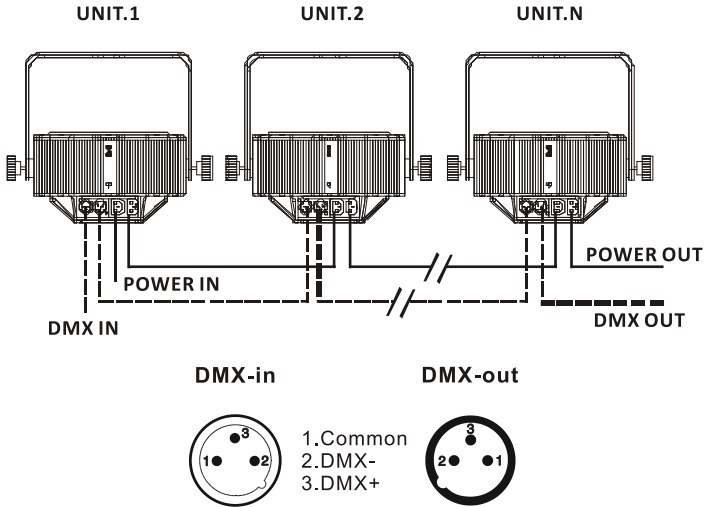
### DMX512 channel chart: (8CH)

Channel	Function	specification
CH 1	Total Dimmer	R G B total linear dimmer, from dark to light
CH 2	R dimmer	R linear dimmer, from dark to light
CH 3	G dimmer	G linear dimmer, from dark to light
CH 4	B dimmer	B linear dimmer, from dark to light
CH 5	Strobe	7 color flash speed, from slow to fast
CH 6	Color mix	7 color mix
CH 7	Auto	0-60: shade; 61-120: skip; 121-180: shade, skip; 181-240: flash by sound; 241-255: skip by sound
CH 8	Auto speed/ sound active	DMX 7 channel auto running speed, from slow to fast, sound active sensitivity, from feebleness to strong

### DMX512 channel chart: (9CH)

Channel	Function	specification
CH 1	Total Dimmer	R G B total linear dimmer, from dark to light
CH 2	R dimmer	R linear dimmer, from dark to light
CH 3	G dimmer	G linear dimmer, from dark to light
CH 4	B dimmer	B linear dimmer, from dark to light
CH 5	W dimmer	W linear dimmer, from dark to light
CH 6	Strobe	7 color flash speed, from slow to fast
CH 7	Color mix	7 color mix
CH 8	Auto	0-60: shade; 61-120: skip; 121-180: shade, skip; 181-240: flash by sound; 241-255: skip by sound
CH 9	Auto speed/ sound active	DMX 7 channel auto running speed, from slow to fast, sound active sensitivity, from feebleness to strong

## Connection



For YR-1190, power connection can not be more than 8pcs. If more than 8pcs, please connect to another power input.

## Attention

In address state, when connect multiple models, do not connect to controller, it will run as master and slave. Operate one of the model, this model will auto act as master, other models run the same as master. When connect to controller, all models will be controlled by controller.

When a team of machines is connected to controller, for the last machine, one DMX signal output or input is vacant. This vacant output or input should be connected a terminal organ. Find a DMX output or input connector, inside the connector, weld a 120ohm, 1/4 w resistance between pin2 and pin3, then inset this connector to the vacant output or input.

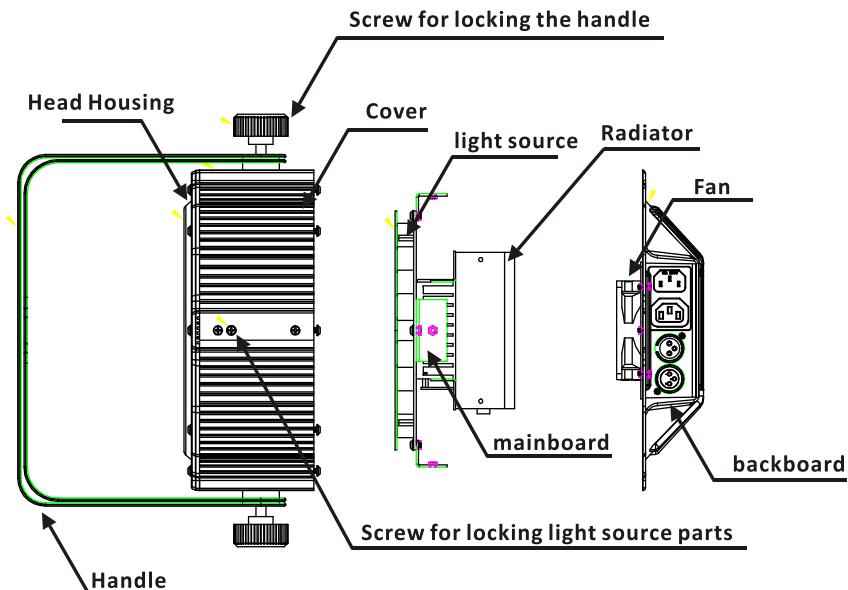
## Master and slave mode

Master and slave: select one machine as master, set it in menu state. Other machine set to be DMX state as slaves, Connect all models by signal cable. Then, slaves are controlled by master, running as master.

Controller control Multiple models: set all models to the same or different address value (notice: before running, all the models should be set to the same channel model, 9CH/8CH or 5CH/4CH, or they run differently. Address value should be match with controller's type and character) connect by signal cables, then all slaves controlled by controller, running the same function as controller setting.

**Mark: This model is equipped with 1spm power cable. Bearable load is no more than 8 model connection. If not follow such requirement and cause damage or accident, our company will not be responsible for it.**

## Machine configuration graphic



## Machine maintenance

Lens of the led face should be cleaned usually, this will make the light beam penetrate normally. Clean frequency depends on environment. In humidity and foggy or dirty environment, lens will easily accumulate dust.

- \* Use soft flax cloth or special depurative to clear lens
- \* Clean the components carefully.
- \* Clean the lens at least 1 time every 20days.





# 保修卡

## Protection to Fix Card

非常感谢您使用我们的产品

1. 本产品从购买日起，正常操作使用并未经拆修，经保修人员确认属产品质量问题，一年内享受保修服务，在任何正常情况下均提供维修。
2. 保修卡应在购买时予填写。保修卡无本公司保修章无效。产品维护时请带保修卡。

Very thank you for using our products

1. This product from the acquisition, normal operation and all the parts inside the, the warranty of quality products confirm asked problem, enjoy a year warranty service, in any normal maintenance are available.
2. The warranty card when buy should be to fill in. Without this company product warranty chapter ss invalid. Please bring the product maintenance warranty Card.

顾客姓名 Customer Name	购买日期 Purchasing Date	产品型号 Product Model	购买商 Purchaser
保修记录： Warranty record			

广州市雅格莱灯光音响设备有限公司

Guangzhou City Ya Ge Lai Lighting&Audio Equipment Co.,Ltd.

地址：广州市白云区人和镇东华工业区东昌路6号

Address: No.6., Dong Chang Road, Dong Hua Emigrant Industrial Park, Ren He Town, Baiyun District, Guangzhou City, Guangdong province, China.



# 合格证

CERTIFICATE

**本产品经检验符合技术条件, 准予出厂:**  
The product Has Been Tested According To Technical Requirements And Passed:

**检验员** \_\_\_\_\_

本公司有权对此份产品说明书进行修改, 恕不另行通知。

**Innovation | Efficiency | Dedication | Harmonious**