

合格证
CERTIFICATE

本产品经检验符合技术条件, 准予出厂:
The product Has Been Tested According To Technical Requirements And Passed:

检验员 _____

260W Moving Head Beam Light
(Model: YR-260B)



User Manual

Please read these instructions carefully before use

Contents

Section 1. Getting Started

- ◇ Unpacking
- ◇ Safety Instruction
- ◇ Instructions and remarks

Section 2. Set Up

- ◇ Installation
- ◇ installation requirements:
- ◇ Controlling Board
- ◇ Machine Connection
- ◇ Master Slave Mode Introductions

Section 3. Troubleshooting

- ◇ Troubleshooting

Section 4. Reference

- ◇ DMX Protocol
- ◇ Specification



保修卡

Protection to Fix Card

非常感谢您使用我们的产品

1. 本产品从购买日起，正常操作使用并未经拆修，经保修人员确认属产品质量问题，一年内享受保修服务，在任何正常情况下均提供维修。
2. 保修卡应在购买时予填写。保修卡无本公司保修章无效。产品维护时请带保修卡。

Very thank you for using our products

1. This product from the acquisition, normal operation and all the parts inside the, the warranty of quality products confirm asked problem, enjoy a year warranty service, in any normal maintenance are available.
2. The warranty card when buy should be to fill in. Without this company product warranty chapter ss invalid. Please bring the product maintenance warranty Card.

顾客姓名 Customer Name	购买日期 Purchasing Date	产品型号 Product Model	购买商 Purchaser
保修记录： Warranty record			

18	Frost	0-127	white
		128-255	Frost
19	RESERVED	0-255	
20	RESERVED	0-255	

Specification

Working voltage: AC110V - 240V

Frequency: 50/60 Hz Frequency: 450 W bulb: 260 W

Strobe : 1-13 t/s, support mechanical and adjustable speed;

CCT: 8000 k

Color:13+ white + semicolor effect;

6-colors wheel:1 pc, multi-color effect with prism;

Gobo:13+white;

Frost : 1 pc atomizing glass.

Scan: Pan540° 1.9S/cycle ; tilt 270° 1.1S/cycle, three phrase motor, photoelectric reset and correction ,hall plate positioning

Prism: A rotation 16 facet prism and a triple layers honeycomb prism

Beam:1.2°;linear focusing;

Safety protection: When overheat or system failure occur,power can be automatically cut off

Control mode: master-slave/auto/DMX512 20CH

Touch screen function: Liquid Crystal display. The screen can be inverted, Chinese and English switching, automatic screen off, every power on time and running time can be displayed, can restore factory settings;

Light on mode: automatic light on, manual light on, and controller light on can be set on

Weight:14.35kg size:31.9*23.8*58cm

User Manual

Notes: The ideal working environment of the equipment is between 0-35 degrees, and the surface temperature of the lamp body is 40-70 degrees. In order to protect the safe operation, it is absolutely necessary for the user to follow the safety instructions and warnings provided in this manual.

Section 1. Getting Started

- ✧ Unpacking
- ✧ Safety Instruction
- ✧ Instructions and remarks

Unpacking

- 1pc fixture(lamp installed)
- 1pc User Manual
- 1pc Power Cable
- 1pc Signal Cable

Thanks for using our moving beam. Carefully unpack the box and check the contents to ensure that all parts are present and in good conditions. If anything damaged during transit, notify the shipper immediately and keep the packing material for inspection. Again, please save the carton and all packing materials. If the fixture must be returned to manufacturer, it is important that the fixture be returned in the original manufacturer box and packing.

Safety Instruction

For your safe, please read this user manual carefully before turn on the fixture. This machine should be operated by qualified engineer!

- Please conserve this manual as operation guidance. If you sell this product to other user, please make sure that they also receive this user manual.
- Always make sure that you are connecting to the proper voltage and the line voltage not higher than stated on the decal or rear panel of the fixture.
- This lighting is intended to indoor use only. To prevent risk of fire or shock, do not expose fixture to rain or moisture. Make sure there are no flammable, explosive or corrosive materials surrounded in 10 /*-meters while operating.
- The unit must be installed in a location with adequate ventilation, at least 5m away from adjacent surfaces. Be sure that no ventilation slots are blocked.
- Fixture may carry high heat, do not aim at objective exceeding 2 minutes.
- Safe wire should be used to install machine. Bearing of safe wire should be 3 times of the machine weight.
- Always disconnect from the power source before servicing or replacing fuse/lamp and be sure to replace with same fuse/lamp size and type. Cut off power before moving, repairing and cleaning the machine.
- To avoid electric shock, all fixtures must be connected to circuits with a suitable ground.
- Always secure fixture using a safety chain and carrying handles. Never carry the fixture by its cord.
- Do not operate at ambient temperatures higher than 104°F (40°C).
- In case of failure or malfunction occurred, stop using the unit immediately. Never try to repair the unit by yourself. Repairs carried out by unskilled people can lead to damage or malfunction. Please contact the nearest authorized technical assistance center. Buy the same spare parts/components from manufacturer directly.
- Make sure the power cord is never crimped or damaged.
- Avoid direct eye exposure to the light source while it is on.
- Do not power on and power off the fixture in a short time.

5	Prism 1	0-127	Reserve
		128-255	Prism 1
6	Prism 1 rotation	0-127	Rotation
		128-191	Fast rotation - slow rotation
		192-255	Slow rotation - Fast rotation
7	Prism 2	0-127	Reserve
		128-255	Prism 2
8	Prism 2 rotation	0-127	Rotation
		128-191	Fast rotation - slow rotation
		192-255	Slow rotation - Fast rotation
9	Focus	0-255	Focus,Linear
10	Pan	0-255	Pan 8bit
11	Pan fine	0-255	Pan 16bit
12	Tilt	0-255	Tilt 8bit
13	Tilt fine	0-255	Tilt 16bit
14	Pan/tilt speed	0-255	P/T Speed
15	Reset	0-249	Reserve
		250-255	Reset
16	Lamp On/Off	100-105	Lamp OFF
		200-205	Reset
17	Rainbow effect	0-127	Reserve
		128-255	Color 7

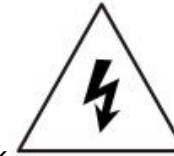
4	Gobos	0-6	white
		7-13	Gobo 1
		14-20	Gobo 2
		21-27	Gobo 3
		28-34	Gobo 4
		35-41	Gobo 5
		42-47	Gobo 6
		48-53	Gobo 7
		54-59	Gobo 8
		60-65	Gobo 9
		66-71	Gobo 10
		72-77	Gobo 11
		78-83	Gobo 12
		84-89	Gobo 13
		90-95	Gobo 1 Jitter
		96-100	Gobo 2 Jitter
		101-105	Gobo 3 Jitter
		106-110	Gobo 4 Jitter
		111-115	Gobo 5 Jitter
		116-120	Gobo 6 Jitter
		121-125	Gobo 7 Jitter
		126-130	Gobo 8 Jitter
		131-135	Gobo 9 Jitter
		136-140	Gobo 10 Jitter
		141-145	Gobo 11 Jitter
		146-150	Gobo 12 Jitter
151-155	Gobo 13 Jitter		
156-160	white		
161-205	Fast rotation - slow rotation		
206-210	White		
211-255	Slow rotation - Fast rotation		

- When use DMX controller, please make sure that there is no interference sources (e.g. intercom, high frequency radio waves and radiation source).

Caution!

There are no user serviceable parts inside the unit. Do not open the housing or attempt any repairs yourself. If exceptional problem happen, please contact related after-sale department or manufacturer. Any damage that caused by violating this manual is out of insurance, our company will not take the responsibility.

Instructions and remarks



Warning. Electric shock

1. Check whether the power supply and voltage are normal before use. If the voltage fluctuates greatly, it is recommended to use voltage stabilizer or voltage regulator.
2. This equipment belongs to the first class protection lighting, therefore must put the yellow, the green lines grounding, and by the professional nursing.
3. Do not touch the shell by hand when the equipment is working.
4. Due to the equipment use of gas discharge lamp,when the use process is interrupted. The equipment needs to cool naturally for 20 minutes before starting the power again
5. The internal components of the equipment must be purchased from the manufacturer
6. Product power cord must be well grounded.
7. use the console, control to avoid the left and right neighbors, without interference

source. (example: Wireless intercom, high frequency source, etc.)

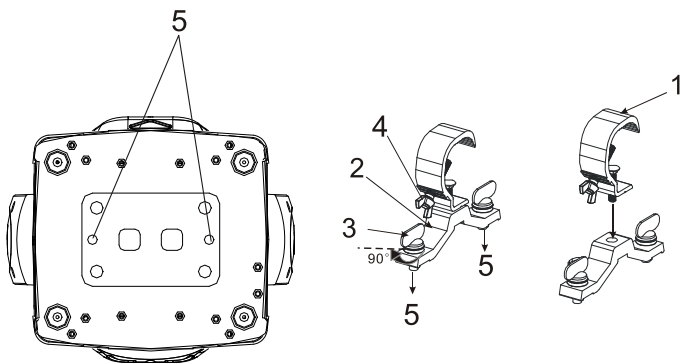
8. when using this product, only 20 products can be controlled within 20 meters of the same signal line, beyond this range, the signal shall be amplified by signal amplifier, and a terminal lighting shall be welded a resistance of 120 ohm 1/4 w between pin 2 and pin 3 at the DMX output end.

Section 2. Set Up

- ◇ Installation
- ◇ Installation requirement
- ◇ Controlling Board
- ◇ Machine connection
- ◇ Master Slave Mode Introductions

Installation

- This machine should be mounted through the screw holes of truss. Safety wire is a must to fix fixture well. Make sure truss and safety wire have strong load capacity to bear 3 times weight than fixture at least.
- This machine should be installed by qualified technician.



		60-64	Color 5+Color 6
		65-69	Color 6
		70-74	Color 6+Color 7
		75-79	Color 7
		80-84	Color 7+Color 8
		85-89	Color 8
		90-94	Color 8+Color 9
		95-99	Color 9
		100-104	Color 9+Color 10
		105-109	Color 10
		110-114	Color 10+Color 11
		115-119	Color 11
		120-124	Color 11+Color 12
		125-129	Color 12
		130-134	Color 12+Color 13
		135-139	Color 13
		140-149	Color 13+white
		150-203	FAST ROTATION -SLOW ROTATION
		204-255	SLOW ROTATION -FAST ROTATION
2	Strobe	0-3	Close
		4-103	Slow - Fast
		104-107	Open
		108-207	FAST STROBE-SLOW STROBE
		209-212	Open
		213-251	Random Slow -- Fast
		252-255	Open
		3	Dimmer

Colors cannot be mixed	Random color mixing is on	Turn off random color mixing
Fixture does not reset correctly	Electronic or mechanical failure	Contact service technician
No light, lamp cuts out intermittently, or burns out too quickly	Lamp missing or blown	Disconnect fixture and replace lamp
	Fixture or lamp is too hot	Allow fixture to cool. If problem persists, contact service technician

Section 4. Reference

- ✧ DMX Protocol
- ✧ Specification

DMX Protocol, Channel Control Sheet:

20CH	Channel Name	Value	Description
1	Color Wheel	0-9	White
		10-14	White+Color 1
		15-19	Color 1
		20-24	Color 1+Color 2
		25-29	Color 2
		30-34	Color 2+Color 3
		35-39	Color 3
		40-44	Color 3+Color 4
		45-49	Color 4
		50-54	Color 4+Color 5
55-59	Color 5		

Installation requirements

1. this product in the use environment, can not have corrosive steam and gas, no inflammable and explosive goods
2. The luminaire shall be at least 5 meters away from the subject,
3. The optical lenses, lenses in use process there can be no outside force bump, if the lens is damaged, need to find relevant professionals to replace the same specifications of the lens;
4. When the power cord damage, must find relevant professional personnel to replace the same specifications before use;
5. When hanging installation, the hanger's loading bear must be at least 3 times greater than the product weight, and strapping on insurance rope, the insurance rope' loading bear must be at least 3 times greater than the product weight.
6. The lens and the light bulb must be used together, when any parts damaged, must find relevant professional personnel change before you can continue to use
7. In the use of environment, must limit the current voltage in the scope of this specification requirements, and have grounding
8. The lamp must be used under the indicated lifespan, after reaching the lifespan, please change the lamp, otherwise the lamp will be easy to deformation or explode and cause dangerous situation.
9. When replacing the lamp, power dump firstly, open the head's plastic cover, and open the fan shelf in the lamp area, then replace with a same specification lamp.
Note: Any damage caused by ignoring this manual is not covered by the warranty. The manufacturer shall not be liable for all consequences and problems arising therefrom. Please note that any damage caused by violation of the operating procedures is not covered by the warranty.

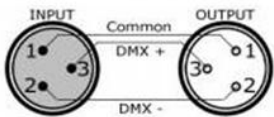
The company reserves the right to amend this product manual without prior notice

Controlling Board



Machine Connection

Cables must have a male XLR connector on one end and a female XLR connector on the other end.



A word on termination: DMX is a resilient communication protocol, however errors still occasionally occur. Termination reduces signal errors, and therefore best practices include use of a terminator in all circumstances. If you are experiencing problems with erratic fixture behavior, especially over long signal cable runs, a terminator may help improve performance.



To build your own DMX Terminator: Obtain a 120-ohm, 1/4-watt resistor, and wire it between pins 2&3 of the last fixture. They are also readily available from specialty retailers.

Complimentary signal cable can transmits signals to 20 unit fixtures at most.
Signal amplifier is a must to connect more fixtures

Master Slave Mode Introductions;

Set one of the machines as the host, select self-running, set the other machines as the slave, and the slave machines as the DMX address code 001 state, connect the signal line. At this time, the slave machines accept the host control, and the functions are synchronized with the current functions of the host.

Section 3. Troubleshooting

Problem	Probable cause(s)	Remedy
No response from fixture when power is applies	No power to fixture	Check power cables
	Primary fuse blown	Replace fuse
	Secondary fuse blown	Replace fuse
Fixture resets but does not respond correctly to controller(DMX mode operation)	Controller not connected	Connect controller
	Incorrect addressing of the fixtures	Check address setting on fixture and controller
	Bad data link connection	Inspect cables and correct poor connections and/or broken cables.
	Conflict between tracking and vector control	Eliminate scene cross-fade on controller
	Data link not terminated	Insert termination plug in output of last fixture
	Defective fixture or 2 devices transmitting on link	Bypass fixtures one at a time until normal operation is regained:unplug both connectors and connect them directly together