



**outdoor moving head beam light
(Model: YR-IP450B)**



User Manual

Please read these instructions carefully before use

Attention:

Any damage caused by disregard of this manual is not covered by the warranty. The manufacturer does not assume any responsibility for any consequences and problems caused by disregard of this manual. Please note that the damage caused by violation of the operating rules is not covered by the warranty.

Technical parameters:**Light source parameters:**

Light source: Philips 420W

Average life expectancy: 3500 hours

Color temperature: 7800K

Control parameters:

Optical path lens: combined lens, the light Angle of the whole light is 1.3°

Stroboscopic: Double stroboscopic 1-30 times/second, standard stroboscopic + average stroboscopic + random stroboscopic

Dimming: Linear dimming

Control signal: DMX512(Digital Multiple X 512)+RDM

Control channel: Standard mode 16CH/ extended mode 19CH

Operation mode: Console, manual, master/slave

Color: 1pcs color disc: 14 high-gloss coating colors + white light, linear or step conversion color

Gobo: 1pcs metal gobo wheel: 18pcs patterns + white light, step conversion gobo

Prism: 1pcs 8 prism +1pcs 8+16+24 triple-layer honeycomb prism, prism can be superimposed, can be independently rotated

Eight color disk: 8 high-gloss coating colors, with prism can produce eight color prism effect

Frost: 1 independent frost wheel, which can convert the beam into dyeing effect

Scanning: horizontal 540 degrees 2.3S/ cycle, vertical 270 degrees 1.2S/ cycle, three-phase motor, using photoelectric reset + Hall correction + zero

point, end point detection of double precision reset, so that positioning is more accurate, while automatic error correction, with automatic return function, smooth subdivision technology runs more smoothly

Display function: TFT LCD screen, screen can be reversed, switch between Chinese and English, automatic screen off/permanent screen, can display bright bubble time, fault detection, software version information, fan speed, can be restored to factory Settings

Light bulb opening mode: can set automatic lighting bubble, manual lighting bubble and console lighting bubble

Heat dissipation of light source: using internal circulation + copper tube heat conduction technology, active heat dissipation, to ensure that the product is more stable

Over temperature protection: high sensitivity ceramic temperature control full process inspection, can automatically cut off protection light source life protection: when the stroboscopic off (that is, close the light) half an hour after the lamp will automatically bubble out, effectively protect the life of the light source

Safety protection: Automatically cut off the power supply when the body overheats or the system fails

Working parameters:

Operating voltage: AC100V-240V (50/60HZ)

Total rated power: 600W

Power factor: 0.99

Maximum ambient temperature: 40 degrees

Light parameters:

Shell: The whole machine is cast aluminum sealed waterproof, high temperature resistant, anti-radiation, anti-flaring

Bottom box pulling: Open the display panel can be directly pulled to replace the bottom box: power supply, drive board, fan, display board

Wire: The high pressure part uses high temperature resistant silicone wire, the weak part uses 1332 Teflon high temperature wire

Display: TFT LCD display +4 touch buttons



黄河灯光
YELUORIVER LIGHTING
合格证
Certificate

产品名称: _____
Product Name
产品型号: _____
Product Model
检验员: _____
Inspector
检验日期: _____
Inspection Date
执行标准: GB7000-217-2008
Execution Standard: GB7000-217-2008
本产品经检验合格, 准予出厂。
This product has been inspected and qualified for shipment.

广东黄河灯光科技有限公司
Guangdong Yellow River Lighting Technology Limited
全国服务热线: 400-618-4388
National Service Hotline:

产品保修卡
Product Warranty Card

尊敬的客户:
非常感谢您购买黄河灯产品, 今后在使用过程中, 您将享受我们为贵单位提供的保修一年的售后服务。
Thank you very much for purchasing our product. In the future use, you will enjoy the one-year after-sales service warranty provided by us.

保修条件:

- 1.本产品自购买之日起, 正常使用, 使用过程中, 经维修人员确认属产品质量问题, 一年的保修期内, 在任何正常情况下的维修, 保修卡在本公司保修部有效。
- 2.保修卡应在购买时填写, 保修卡在本公司保修部有效。产品维护时请携带保修卡。

Warranty Terms:

This product is provided with one year of purchase, under normal operation and without impact. If confirmed by the warranty personnel to be a product quality issue, will enjoy the warranty service within one year. And maintenance will be provided under any normal circumstances. The warranty card must be filled out at the time of purchase and it is valid throughout the warranty period. Please bring the warranty card when the product is maintained.

用户资料
Customer Information

顾客姓名: _____ 购买商: _____
Customer Name: _____
Date of Purchase: _____ 产品型号: _____
Date of Purchase: _____ Product Model:

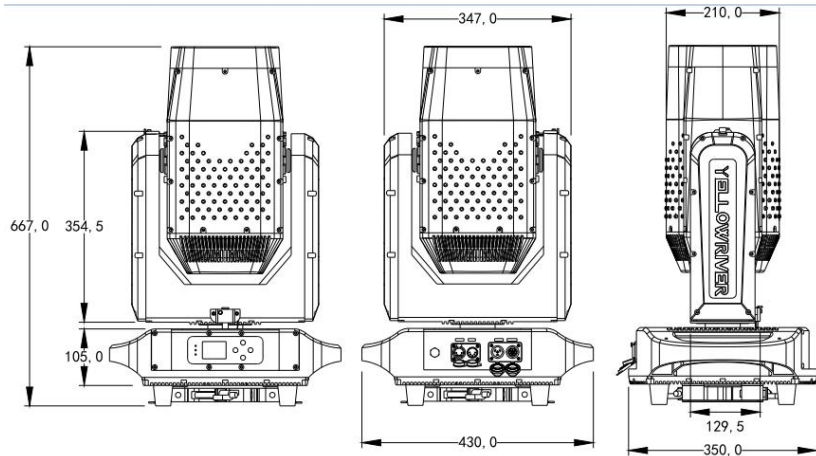
保修记录
Warranty Record

报修日期 Repair Date	故障及处理方法 Fault and Solution	维修日期 Repair Date	维修人员 Repair Technician

广东黄河灯光科技有限公司
Guangdong Yellow River Lighting Technology Limited
售后服务地址: 广东肇庆市高新区水坑大道41号万泽众创城C10栋
After-sales Service Address: C10 Building, No.41 Water Avenue, High-tech Zone, Zhaoqing City, Guangdong, China
Wuyang Dongyong Guangguang Science and Technology Co., Ltd. Zhaoqing City, Guangdong, China

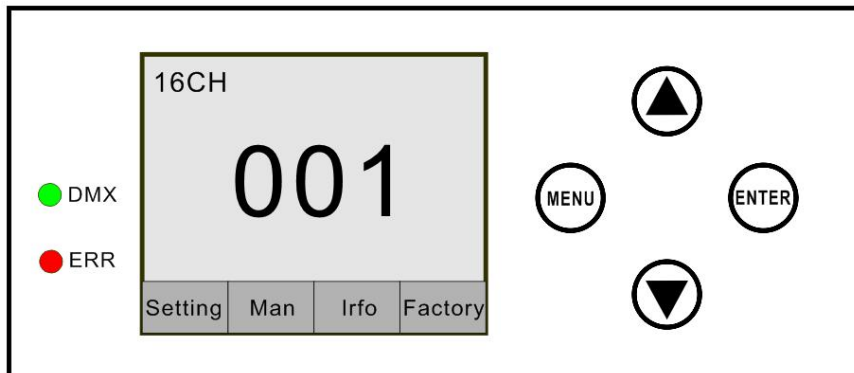
Power interface: waterproof twist brittle head, one in one out
Signal interface: waterproof signal socket 3-core male + female
Waterproof class: IP66
Net weight: 30.5KG

1. Size



2. Menu

(1).Main panel



6. The lens and light source of this product must be fully used together. When any part is damaged, it shall be replaced by relevant professional personnel before it can be used again.
7. In the operating environment, it must be determined that the current voltage provided is within the range required by this specification and well grounded.

The company reserves the right to amend this product manual without prior notice

4.The internal components of the equipment must be purchased from the manufacturer.

5. Use the console control as far as possible avoid neighbors have interference sources (example: wireless walkie-talkie, high frequency source, etc.)

6. When using this product, the same signal lines within 20 meters maximum control 20 sets of the same products, beyond this range should be an additional signal amplification devices amplify the signal to use .

7. Light source in use, must be controlled within the indicated the use time of light source, out of timer, please change the lamp.

8. When replacing the lamp, power dump firstly, open the head's plastic cover, and open the fan shelf in the lamp area,then replace with a same specification lamp.

6.Installation requirement

1. The product shall be free from corrosive vapors and gases in the operating environment and shall not contain inflammable and explosive articles.

2. Keep the distance between the light outlet direction and the subject at least more than 3 meters.

3.The direction of the light is an optical lens. No external force can hit the glass in the process of operation. If the lens is damaged, it can only be used after the professional technician replacing the lens of the same specifications .

4. When the outer cover of the power cord is damaged, it must be replaced with a new power cord of the same specification by relevant professional personnel before use.

5.When the product is hung and installed, the load bearing of the hanging device shall be at least 3 times greater than the weight of the product, and the safety rope shall be fastened on the auxiliary hanging device of the lamp, and the load bearing of the safety rope shall be more than 3 times greater than the weight of the product.

(2).Menu description

SETTING:

Option	Description	
operation	DMX/ Voice control/self-propelled	Operation mode
DMX address	001	Address code setting
bulb	Off/On	
Motor reset	Off/On	
passage	16CH/19CH	Channel mode selection
Language	Chinese/English	
Screen flip	Off/On	
X reversal	Off/On	
y-inversion	Off/On	
XY exchange	Off/On	
XY encoder	On/Off	
DMX signal	Clear/hold	
Bright bubble on startup	Off/On	
Color linearity	On/Off	
Restore default		Confirm direct recovery

(3).Manual: Manually operate the channel

(4).SETTING information:

Option	Description	
MT:		
FAN:		
Fan information		Query the information about the bulb fan
Time information		Query usage information
System error		Record errors

Hall state	0000000	
X encoding step value	+0000	
Y encoding step value	+0000	
Permission duration	9999	9999 This is unrestricted, other values are remaining time

Common error	Description
The MT board fails to be connected	The motor board is not responding. The serial communication line connecting the display board and the motor board is faulty, or the motor board is faulty.
X-axis reset failed	There is a problem with the X-axis photoelectric switch, or the X-axis motor or motor board
Y-axis reset failed	Y-axis photoelectric switch, or Y-axis motor or motor board problem
X-axis Hall error	There's a problem with the X-axis Hall, or the motor board
Y-axis Hall error	Y-axis Hall, or motor board problem
Color disk reset failed	Color plate Hall, or color plate motor problem
Description The pattern disk failed to reset	Pattern plate Hall, or pattern plate motor problem
The focus reset failed	Focusing Hall, or a problem with the focusing motor
Bulb control failure	Failure to light or extinguish bubbles, lamplighter or bulb problem

Factory: Used to correct initial values when factory lights are adjusted

15	16	focusing	000-255	Articulation regulation
	17	To be extended	000-255	
	18	To be extended	000-255	
16	19	Controls	000-129 130-139 140-149 200-209 230-239	Empty Light the bulb (wait 3 seconds) XY reset (wait 3 seconds) Reset (wait 3 seconds) Turn off the bulb (wait 3 seconds)

4. Master/Slave mode online description

Set one machine as the host, select self-running, set the other machine as the slave machine, set the slave machine as DMX address code 001 state, connect the signal line, at this time the slave machine accept the host control, the function is synchronized with the current function of the host.

5. Instructions and remarks



Warning. Electric shock

The light source inside this lamp should be replaced by our company or our service agent or person with similar qualification

1. Check whether the power supply and voltage are normal before use. If the voltage fluctuates greatly, it is recommended to use voltage stabilizer or voltage regulator.

2. The equipment belongs to the first-level protective lamps. The power cord of the product must be grounded and well grounded when used.

3. This equipment shell temperature around 40 to 60 °C while work, do not touch the shell.

9	10	Fixed gobo	135-139 140-144 145-149 150-154 155-159 160-164 165-169 170-174 175-179 180-184 185-189 190-200 201-255	fixed gobo 8 Jitter fixed gobo 9 Jitter fixed gobo 10 Jitter fixed gobo 11 Jitter fixed gobo 12 Jitter fixed gobo 13 Jitter fixed gobo 14 Jitter fixed gobo 15 Jitter fixed gobo 16 Jitter fixed gobo 17 Jitter fixed gobo 18 Jitter Reverse flow fast to slow Moving water slow to fast
10	11	Prism 1	000-127 128-255	Prism retraction Prism insertion
11	12	Prism 1 rotation	000-127 128-190 191-193 194-255	Prism Angle adjustment Forward rotation from fast to slow stop Reverse rotation from slow to fast
12	13	Prism 2	000-127 128-255	Prism retraction Prism insertion
13	14	Prism 2 rotation	000-127 128-190 191-193 194-255	Prism Angle adjustment Forward rotation from fast to slow stop Reverse rotation from slow to fast
14	15	Frost/ Eight colors	000-127 128-191 192-255	close. Atomizing cut Eight color cut

3.DMX512 CHANNEL

16CH	19CH	FUNCTION	Value	Description
1	1	X-axis	000-255	Horizontal 540 degree scan
2	2	X-axis trim	000-255	Horizontal 1.2 degree fine adjustment
3	3	Y-axis	000-255	Vertical 270 degree scan
4	4	Y-axis fine-tuning	000-255	Vertical 1.2 degree fine adjustment
5	5	XY velocity	000-255	Speed from fast to slow
6	6	dimming	000-255	From dark to light
7	7	Dimming trim	000-255	Dimming 16bit
7	8	stroboscopic	000-003 004-103 104-107 108-207 208-212 213-251 252-255	White light Standard stroboscopic slow to fast Opening the light Average stroboscopic slow to fast Opening the light Random stroboscopic slow to fast Opening the light
8	9	Color	000-004 005-008 009-012 013-016 017-020 021-024 025-028 029-032 033-036 037-040 041-044	White light Color 1 red Color 2 yellow Color 3 blue Color 4 green Color 5 rose red Color 6 blue-green Color 7 deep blue Color 8 light green Color 9 Light blue-purple Color 10 orange

			045-048	Color 11 purple-red
			049-052	Color 12 orange-red
			053-056	Color 13 cold light
			057-060	Color 14 tan
			When linear color is on:	
			061-127	linear color
			When linear color is off:	
			061-064	White light + Color 1 red
			065-068	Color 1 red+ color 2 yellow
			069-072	Color 2 yellow+ color 3 blue
			073-076	Color 3 blue+ color 4 green
			077-080	Color 4 green+ Color 5 rose red
			081-084	Color 5 rose red+color 6 blue-green
			085-088	Color 6 blue-green+ color 7deep blue
			089-092	Color 7 deep blue+ color 8 light green
			093-096	Color 8 light green+ color 9 light blue-purple
			097-100	Color 9 light blue-purple+color 10 orange
			101-104	Color 10 orange+ color 11 purple-red
			105-108	Color 11 purple-red+ color 12 orange-red
			109-112	Color 12 orange-red+ color 13 cold light

			113-116	Color 13 cold light+ color 14 tan
			117-127	Color 14 tan+ white light
			128-189	Color reverse flow fast to Slow
			190-193	Stop
			194-255	The color is flowing slowly to fast
9	10	Fixed gobo	000-004	White light
			005-009	Fixed gobo 1
			010-014	Fixed gobo 2
			015-019	Fixed gobo 3
			020-024	Fixed gobo 4
			025-029	Fixed gobo 5
			030-034	Fixed gobo 6
			035-039	Fixed gobo 7
			040-044	Fixed gobo 8
			045-049	Fixed gobo 9
			050-054	Fixed gobo 10
			055-059	Fixed gobo 11
			060-064	Fixed gobo 12
			065-069	Fixed gobo 13
			070-074	Fixed gobo 14
			075-079	Fixed gobo 15
			080-084	Fixed gobo 16
			085-089	Fixed gobo 17
			090-094	Fixed gobo 18
			095-099	White light jitter
			100-104	fixed gobo 1 Jitter
			105-109	fixed gobo 2Jitter
			110-114	fixed gobo 3 Jitter
			115-119	fixed gobo 4 Jitter
			120-124	fixed gobo 5 Jitter
			125-129	fixed gobo 6 Jitter
			130-134	fixed gobo 7 Jitter