



YELLOWRIVER
MAKE YOUR STAGE TO BE MORE EXCELLENT

outdoor moving head wash light
(Model: YR-IP4019)



User Manual

Please read these instructions carefully before use

Attention:

The ideal working environment of this equipment is between 0 and 35 degrees, and the surface temperature of the light body is between 40 and 70 degrees. For safety, it is absolutely necessary for the user to follow the safety instructions and warnings given in this manual.

Technical parameters:

Light source parameters:

Light source:19*40W(4-in-1: RGBW)

Lifespan: 50,000 hours

Antistatic: up to 2000V HBM

Light source heat conduction: bonding + high efficiency heat conduction chassis

Optical path lens: efficient light guide rod + honeycomb lens

Control parameters:

Stroboscopic: 0-30Hz, standard stroboscopic + pulse stroboscopic + random stroboscopic

Control signal: DMX512(Digital MultipleX 512)+RDM, in line with international standard light control transmission protocol, support console set address code, support DMX interface upgrade software

Control channels: CH 22/36/79/98

Built-in effect: Static Chase color mixing + self-walking, with single point control, circle control, rainbow, vortex, kaleidograph, small waist effect, when with background light mixing, background light effect, background light single point control, background light self-walking function, electronic electrodeling, RGBW electrodeling, color is very uniform

Operation mode: console, manual, master-slave

Cooling mode: Fan temperature control start, by the high noise dense fin + fan for heat dissipation

Display function: 2.0 inch LCD screen, can set channel mode, horizontal and vertical reversal, screen reversal, signal prompt, Chinese and English switching, automatic screen off/lasting bright screen, display channel



黄河灯光
Yellow River Lighting
Certificate

产品名称: _____
Product Name

产品型号: _____
Product Model

检验员: _____
Inspector

检验日期: _____
Inspection Date

执行标准: GB7000-217-2008
Execution Standard

本产品经检验合格, 准予出厂。
This product has been inspected and qualified for shipment.

广东黄河灯光科技有限公司
Guangdong Yellow River Lighting Technology Limited
全国第一服务热线: 400-618-4388

产品保修卡
Product Warranty Card

尊敬的客户:
Dear Customer:
非常感谢您购买我们的产品, 今后在使用过程中, 您将享受我们为您提供的一年保修服务。
one-year after-sales service warranty provided by us.

保修条款:
1. 本产品从购买日起, 正常操作使用并未经维修, 经服务人员确认属产品质量问题, 一年内享受保修服务, 在任何正常情况下均提供维修。
2. 保修不在购买时填写, 保修卡无本公司保修章无效。产品维修时请带保修卡。

Warranty Terms:
This product, from the date of purchase, under normal operation and without repair, if confirmed as a quality problem, enjoy warranty service within one year. The warranty card should be filled out at the time of purchase, and the warranty card is invalid without the warranty seal of our company. Please bring the warranty card when the product is maintained.

用户资料
Customer Information

顾客姓名: _____ 购买商: _____
Customer Name: _____ Buyer: _____

购买日期: _____ 产品型号: _____
Date of Purchase: _____ Product Model: _____

保修记录
Warranty Record

报修日期 Report Date	故障及处理方法 Fault and Solution	维修日期 Repair Date	维修员 Repair Personnel

广东黄河灯光科技有限公司
Guangdong Yellow River Lighting Technology Limited
售后服务: 广东省肇庆市高要区大旺大道41号万泽众创城C10栋
Wangze Zhongchuang Science Zhenping High-tech Zone, Zhaoting City, Guangdong, China

personnel before it can be used again.

7. In the operating environment, it must be determined that the current voltage provided is within the range required by this specification and well grounded.

**The company reserves the right to amend this product manual
without prior notice**

number, light source temperature, record boot time, boot times, fault detection, manual control channel data memory, software version information, restore factory Settings, scanning and color correction.

Front prism disk: bidirectional fast/slow endless rotation

ZOOM and light Angle: electronic reset, 4 degrees --60 degrees /1.7 seconds

Scanning: horizontal 540 degrees 3.2S/ cycle, vertical 270 degrees 1.2S/ cycle, three-phase motor, photoelectric reset, automatic error correction at the same time, with automatic return function, smooth subdivision technology runs more smoothly

Light on mode: Supports instant off and instant on

Working parameters:

Operating voltage: AC100V-240V (50/60HZ)

Total rated power: 1000W

Power factor: 0.98

Rated current: 4.6A

Ambient temperature: <40 degrees

Light parameters:

Wire: uses high temperature resistant silicone wire, the weak part uses 1332 Teflon high temperature wire

Case: Engineering die-cast aluminum case, high temperature resistance, corrosion resistance, UV resistance

Display: LCD display +4 touch buttons

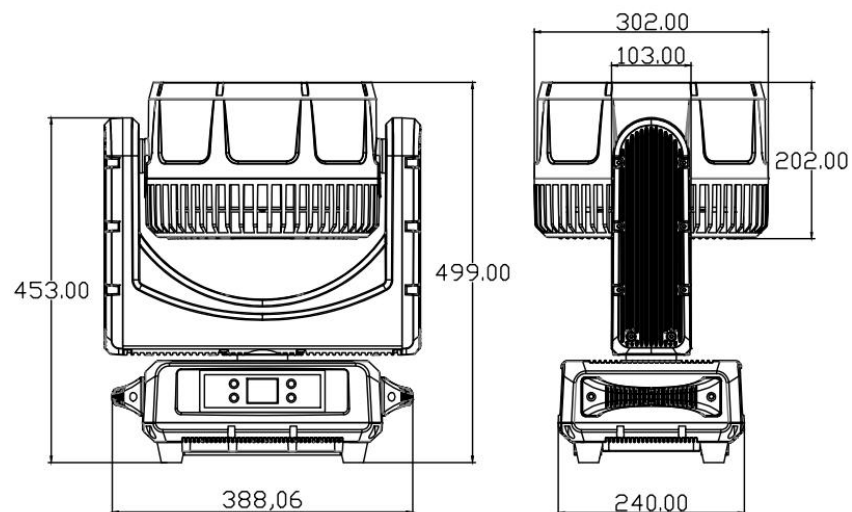
Power interface: waterproof powercon socket, one in and out, hand-in-hand connection project more convenient

Signal interface: XLR socket 3-pin +USB(optional 3-pin + network port)

IP rate: IP66

Net weight: 22.5KG

1. SIZE



2. Menu

MEUN	Adde	001-512	
	Set	Run Mode	DMX/ Auto 1/ Auto 2/ Sound
		Channel	22CH/36CH/79CH/98CH
		Invert pan	OFF/ON
		Invert Tilt	OFF/ON
		Hall Crct	ON/OFF
		Encoder Crct	ON/OFF
		Signal Keep	OFF/ON
		Screen saver	OFF/ON
		Invert Screen	Auto/OFF/ON
		Update slave	OFF/ON
		Language	EN/中文
		Screen Lock	OFF/ON
		Speed Mode	Normal/Fast
Load Default			

3. This equipment shell temperature around 40 to 50 °C while work, do not touch the shell.

4. The internal components of the equipment must be purchased from the manufacturer.

5. Use the console control as far as possible avoid neighbors have interference sources (example: wireless walkie-talkie, high frequency source, etc.)

6. When using this product, the same signal lines within 20 meters maximum control 20 sets of the same products, beyond this range should be an additional signal amplification devices amplify the signal to use .

7. Light source in use, must be controlled within the indicated the use time of light source, out of timer, please change the light.

5. Installation requirement

1. The product shall be free from corrosive vapors and gases in the operating environment and shall not contain inflammable and explosive articles.

2. Keep the distance between the light outlet direction and the subject at least more than 1 meters.

3. The direction of the light is an optical lens. No external force can hit the glass in the process of operation. If the lens is damaged, it can only be used after the professional technician replacing the lens of the same specifications .

4. When the outer cover of the power cord is damaged, it must be replaced with a new power cord of the same specification by relevant professional personnel before use.

5. When the product is hung and installed, the load bearing of the hanging device shall be at least 3 times greater than the weight of the product, and the safety rope shall be fastened on the auxiliary hanging device of the light, and the load bearing of the safety rope shall be more than 3 times greater than the weight of the product.

6. The lens and light source of this product must be fully used together. When any part is damaged, it shall be replaced by relevant professional

	25	25	LED1-B	0-255	B1 LED dimming
		26	LED1-W	0-255	W1 LED dimming
	26	...	LED2-R	0-255	R1 LED dimming
	0-255	...
	77	95	LED19-R	0-255	R19 LED dimming
	78	96	LED19-G	0-255	G19 LED dimming
	79	97	LED19-B	0-255	B19 LED dimming
	/	98	LED19-W	0-255	W19 LED dimming

3.Master-slave mode on-line description

One of the lights is set as the host, and the other lights are set as the slave lights, and the slave lights are set as the DMX address code 001 state, and the signal line is connected. At this time, the slave lights accepts the control of the host, and its functions are synchronized with the current functions of the host.

4.Instructions and remarks



Warning. Electric shock

The light source inside this light should be replaced by our company or our service agent or person with similar qualification

1.Check whether the power supply and voltage are normal before use. If the voltage fluctuates greatly, it is recommended to use voltage stabilizer or voltage regulator.

2.The equipment belongs to the first-level protective lights. The power cord of the product must be grounded and well grounded when used.

	Manual	
Calib	PAN	001-255
	TILT	001-255
	Focus	001-255
	Rotated	001-255
	Balance-Red	001-255
	Balance-Green	001-255
	Balance-Blue	001-255
	Balance-White	001-255
	power	001-255
	Balance1-Red	001-255

	Balance19-White	001-255
	MIC	001-255
	Change password	
Reset	Reset Effect	
	Reset Scan	
	Reset All	
Note	Reset Info >>	
	DMX Data >>	
	Sensor info >>	
	Hardware:	
	Software:	

3.DMX channel

C H 22	C H 36	C H 79	C H 98	Function	DMX vaule	Description
1	1	1	1	Red	0-255	The red is dimmed linearly from dark to light
2	2	2	2	Red fine	0-255	Red trim
3	3	3	3	Green	0-255	Green is dimmed linearly from dark to light
4	4	4	4	Green fine	0-255	Green trim
5	5	5	5	Blue	0-255	Blue is dimmed linearly from dark to light
6	6	6	6	Blue fine	0-255	Blue trim
7	7	7	7	White	0-255	White from dark to light for linear dimming
8	8	8	8	White fine	0-255	White trim
9	9	9	9	Linear CTO	0-255	Linear color temperature control
10	10	10	10	Macro Color	0-255	Built-in color gradient
11	11	11	11	strobe	0-3	Light off
					4-103	speed from slow to fast (1HZ-25HZ)
					104-107	Light on
					108-207	Bisecting strobe speed from slow to fast (1HZ-25HZ)
					208-212	Light on
					213-225	Low speed random stroboscopic

23			Shape Speed	0-63	Effect static
				64-158	Forward from fast to slow
				159-160	static
				161-255	Reverse from slow to fast
24			Shape Fade	0-255	Dynamic effect dilution
25			Shape Red	0-255	Dynamic effect red
26			Shape Green	0-255	Dynamic effect green
27			Shape Blue	0-255	Dynamic effect blue
28			Shape White	0-255	Dynamic effect white
29			Shape Dimming	0-255	Pattern 0-100% dimming
30			Bgnd dimmer	0-255	Background 0-100% dimming
31			Shape transit	0-255	Pattern change control
32			Shape offset	0-255	Pattern translation
33			Fgnd Strobe	0-255	Foreground stroboscopic
34			Bgnd Strobe	0-255	Background stroboscopic (same 11 channel)
35			Bgnd Select	0-255	Background selection
	23	23	LED1-R	0-255	R1 LED dimming
	24	24	LED1-G	0-255	G1 LED dimming

/	22	/	/	50	Dynamic effects 27
				51	Dynamic Effects 28
				52	Dynamic Effects 29
				53	Dynamic effects 30
				54	Dynamic effects 31
				55	Dynamic Effects 32
				56	Dynamic Effects 33
				57	Dynamic Effects 34
				58	Dynamic effects 35
				59	Dynamic Effects 36
				60	Dynamic Effects 37
				61	Random position 1
				62	Random position 2
				63	Random position 3
				64	None
				65	Random position 4
				66	Random position 5
				67	Dynamic Effects 38
				68	Dynamic effects 49
				69	None
				70	Dynamic Effects 40
				71-255	None

					226-238	Medium-speed random stroboscopic
					239-251	High-speed random stroboscopic
					252-255	Light on
12	12	12	12	Dimmer	0-255	Linear dimming from dark to light
13	13	13	13	Dimming Fine	0-255	Total dimming fine-tuning control
14	14	14	14	Pan	0-255	Horizontal control
15	15	15	15	Pan Fine	0-255	Horizontal fine-tuning control
16	16	16	16	Tilt	0-255	Vertical control
17	17	17	17	Tilt Fine	0-255	Vertical fine-tuning control
18	18	18	18	Function	0-255	reserve
19	19	19	19	Reset	0-25	non-function
					26-76	The light holder is valid for 5s reset
					77-127	XY reset is valid for 5s
					128-255	All resets are valid for 5 seconds
20	20	20	20	Zoom	0-255	Big/Small
21	21	21	21	Zoom Rotation	0-127	0-60 degrees
					128-188	Counterclockwise from fast to slow stepless
					189-193	stop
					194-255	Clockwise from slow to fast stepless

22	36	22	22	LED Period	0-255	light frequency (1-10K)
/	22	/	/	Shape Select	0-7	None
					8	Static effects 1
					9	Static effects 2
					10	Static effect 3
					11	None
					12	Static effects 4
					13	Static effects 5
					14	None
					15	Dynamic effect 1
					16	Dynamic Effects 2
					17	Dynamic effect 3
					18	Dynamic Effects 4
					19	Monochromatic random
					20	Monochromatic random
					21	Rainbow Effect 1
					22	Rainbow Effect 2
					23	Dynamic Effect 5
					24	Dynamic effect 6
					25	Dynamic Effects 7
					26	Dynamic effect 8
					27	Dynamic effect 9

/	22	/	/	Shape Select	28	Dynamic effect 10
					29	Dynamic Effects 11
					30	Dynamic effects 12
					31	None
					32	Dynamic effect 13
					33	None
					34	None
					35	Dynamic Effects 14
					36	Dynamic effects 15
					37	Dynamic effects 16
					38	Dynamic effect 17
					39	Dynamic effects 18
					40	Dynamic effects 19
					41	None
					42	Dynamic effects 20
					43	None
					44	Dynamic effects 21
					45	Dynamic effects 22
					46	Dynamic effects 23
					47	Dynamic Effects 24
					48	Dynamic Effects 25
					49	Dynamic Effects 26