

8" Dual Cameras Face Recognition Terminal



Main Features:

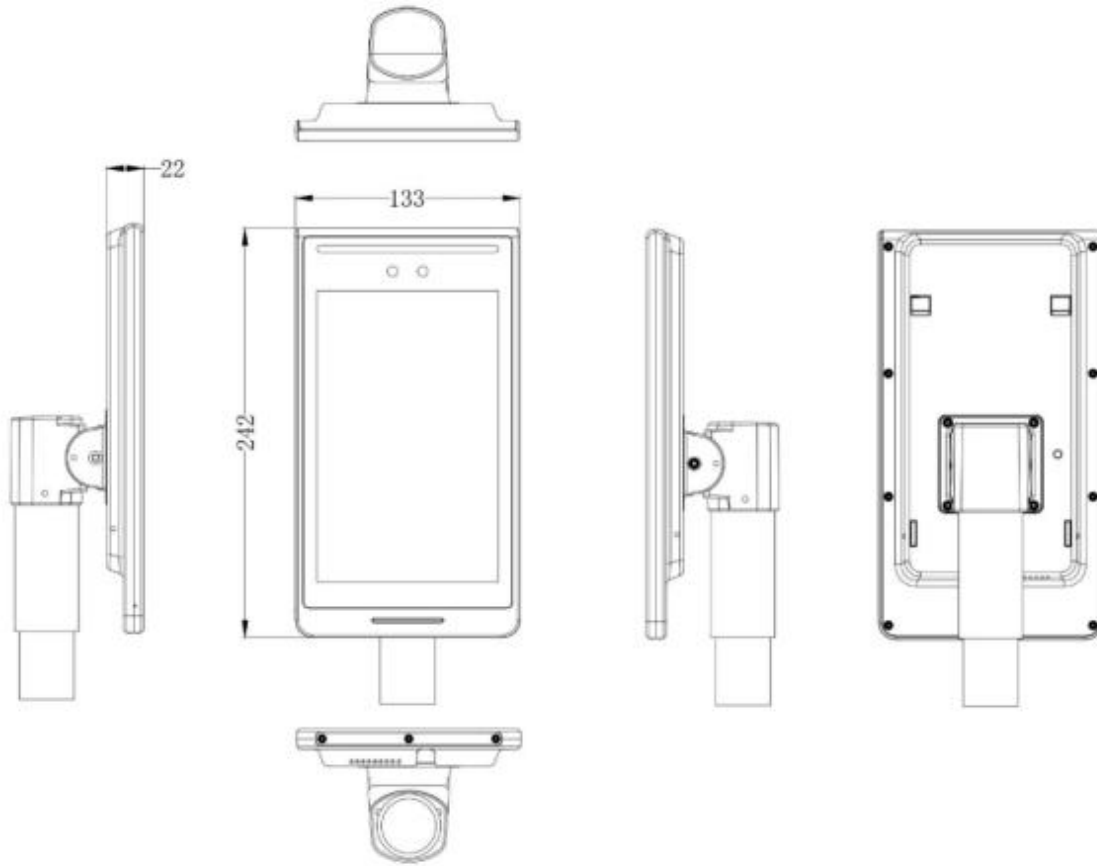
- Support real time liveness detection
- Support tracking of personnel movements under strong backlight conditions
- Unique live face recognition algorithm to accurately recognize faces, face recognition time is less than 0.3s
- Using Linux operating system, better system stability
- Mean time between failures MTBF>50000 H
- Support 24,000 face matching library and 69,000 face recognition records.
- Rich interface protocol, support TCP/IP, UDP, RTP, RTSP, RTCP, HTTP, DNS, DDNS, DHCP, SMTP, UPNP, MQTT protocol, Windows/Linux
- From -20 °C to + 60 °C environment for long-term stable operation
- Support personnel registration, device configuration, information query via front touch screen
- Support microphone input audio, speaker output audio
- Rich hardware interface (I/O, WG26, WG34, RJ45, USB, RS485)
- 8-inch IPS HD screen, no streaking and delay
- Bluetooth optional

Specifications:

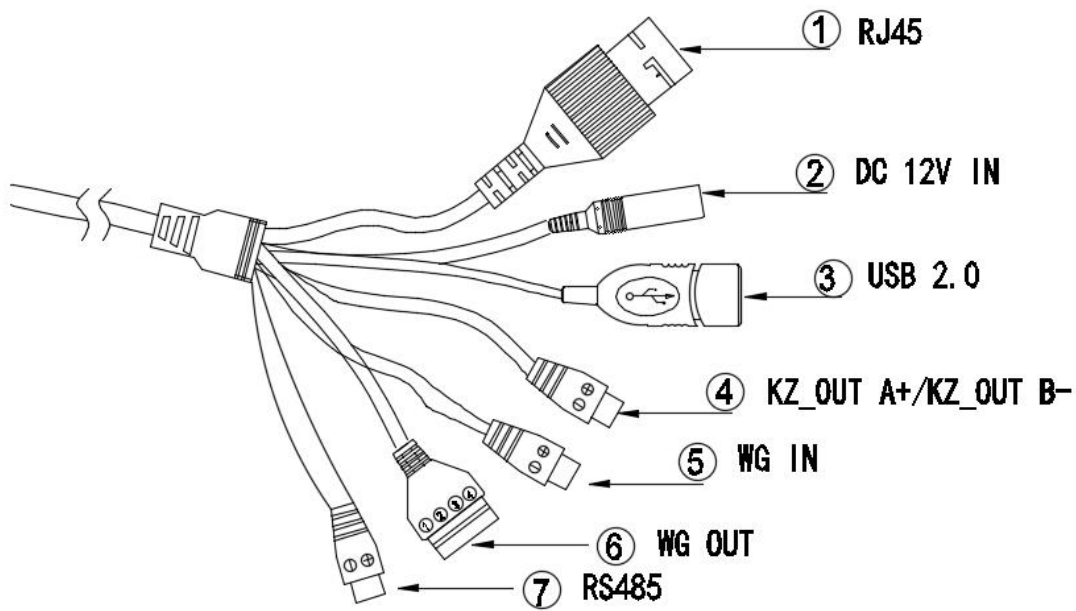
Hardware	
Processor	Dual Core ARM Cortex-A7 and RISC-V MCU
Operating system	Linux Operating system
Memory	1G+8G
Camera	Dual camera, 2MP, 1920*1080
Sensor	1/2.8" Progressive Scan CMOS
Lens	4.32mm
WiFi module	2.4GHz frequency band, IEEE802 b/g/n protocol
Card swiping module	13.56MHz, support Mifare S50, S70 card, ultralight card, NTAG card, DESFire D21, D41, D81, non-contact CPU card
Touch screen module	Multi-touch capacitive touch screen
Speaker	Voice playback content can be customized
Performance	
Recognition height	1.2~2.3 meters, angle adjustable
Recognition distance	0.3~1.5 meters
Recognition angle	Vertical viewing angle: 30°; Horizontal viewing angle: 30°
Recognition time	Less than 0.3 seconds
Storage capacity	69,000 capture records
Face capacity	24,000pcs
Interface	
Power out	DC12V/2A
Network interface	1 RJ45 10M / 100M adaptive Ethernet port, Gigabit Ethernet port can be customized
Switching output	1 way switch output, other GPIO port can be customized
Wiegand interface	1ch Wiegand interface input/output

Communication interface	1ch RS485 interface	
USB interface	1ch USB interface	
Camera		
Camera	Dual cameras, G+P lens, visible light and near infrared, support liveness detection	
Effective pixels	2MP, 1920*1080	
Min Illumination	Color 0.01Lux @F1.2(ICR);B/W 0.001Lux @F1.2 (ICR)	
SNR	≥50db(AGC OFF)	
WDR	120db, ISP algorithm face partial exposure	
Video encoding	H.265 Main Profile encoding/H.264 BP/MP/HP encoding/MJPEG encoding	
Image	Main Stream	50Hz: 25fps (1920×1080,1280×720)
		60Hz: 30fps (1920×1080,1280×720)
	Sub Stream	704*576, 25 frames/second, 640*480, 25 frames/second, 352*288, 25 frames/second
Regular		
Operating temperature	-20℃ - +60℃	
Working humidity	0~90% relative humidity, no condensation	
Salt spray	level Rp6 or above	
Antistatic	contact ±6KV, air ±8KV	
Power	DC12V/2A	
Waterproof	IP66	
Power	15W(MAX)	
Screen size	8 inches IPS HD screen, Resolution: 1280*800	
Equipment size	242 (L) * 133 (W) * 22 (T) mm	

Size:



Interface:



No.	Name	Quantity	Remark
1	Network	1	RJ45
2	Power	1	DC12V IN
3	USB	1	USB 2.0
4	Switch Output	1	Switch output interface A+/B-
5	Wiegand protocol input interface	1	① vcc12V ② GND ③ D0 ④ D1
6	Wiegand protocol output interface	1	① vcc12V ② GND ③ D0 ④ D1
7	RS485	1	① 485- ② 485+