

# SSE-HH8K~12K-P3EU

## Three-Phase Hybrid Inverter

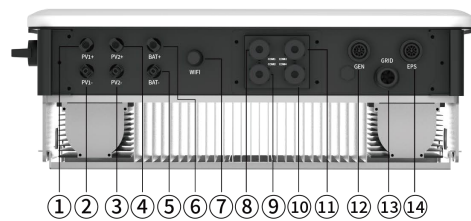
Residential Use

IP 65

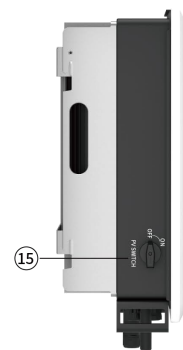
10-Year Warranty

- Easy Access**  
Accessible via WiFi and the web
- Diverse Modes**  
Various application modes to accommodate different battery packs, photovoltaic panels, and loads
- Diverse Interface**  
Includes interfaces such as a lithium battery BMS communication card and a WiFi card
- Flexibility**  
Supports single-phase 100% unbalanced load operation off-grid, adapting to various load scenarios
- Safe**  
Comprehensive 360-degree security from hardware to software
- IP65**  
Fanless design for a long lifespan

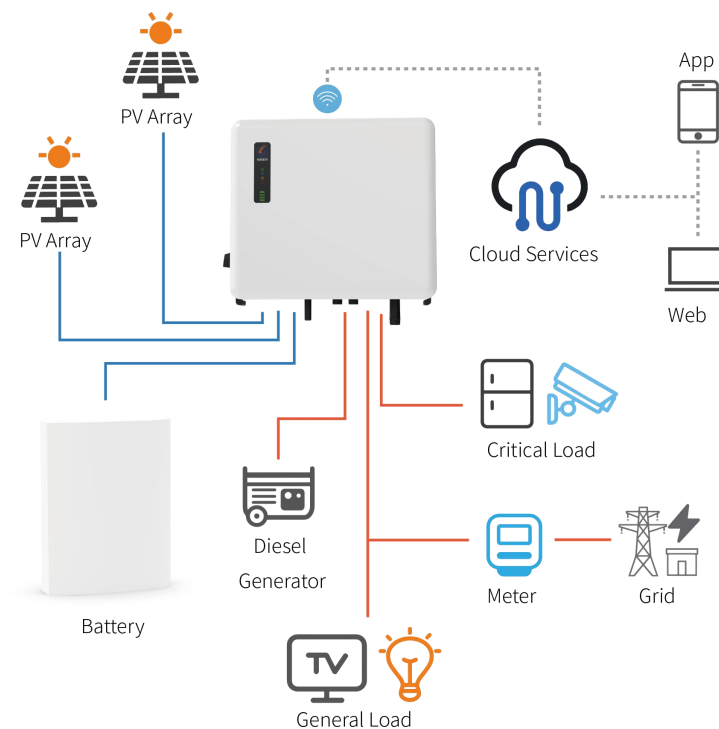
### Port Description



- 1.PV1+
- 2.PV1-
- 3.PV2+
- 4.PV2-
- 5.BAT-
- 6.BAT+
- 7.WIFI
- 8.COM1
- 9.COM3
- 10.COM4
- 11.COM2
- 12.GEN
- 13.GRID
- 14.EPS
- 15.PV SWITCH



### Product Application Diagram



### TECHNICAL SPECIFICATION

Model	SSE-HH8K-P3EU	SSE-HH10K-P3EU	SSE-HH12K-P3EU
<b>INVERTER INPUT / OUTPUT (GRID)</b>			
Rated Power (Input / Output)	12 kW / 8 kW	14 kW / 10 kW	16 kW / 12 kW
Rated Voltage	380 / 400 V a.c., 3W+N+PE		
Rated Frequency	50 Hz		
Power Factor Range	0.8 leading ~ 0.8 lagging		
Switch Time	<10 ms		
Max. Continuous Current (Input / Output)	17.4 A a.c. / 12.8 A a.c.	20.3 A a.c. / 15.9 A a.c.	23.2 A a.c. / 19.1 A a.c.
Max. Output Overcurrent Protection	400 V a.c. / 60 A a.c.		
<b>BATTERY</b>			
Battery Type	Lithium / Lead-acid		
Battery Voltage Range	125 ~ 800 V d.c.		
Rated Battery Voltage	200 V d.c.	250 V d.c.	300 V d.c.
Max. Charge Current	40 A d.c.		
Max. Discharge Current	40 A d.c.		
Reverse Connect Protection	Yes		
<b>PV INPUT</b>			
No. of MPPT Tracker / Strings	2 / 1+1		
Max. PV Array Power	12 kW	15 kW	18 kW
Max. DC Voltage	1000 V d.c.		
MPPT Voltage Range	150 ~ 950 V d.c.		
Start-up Voltage	200 V d.c.		
Max. Input Current	16 + 16 A d.c.		
Isc PV (Absolute Maximum)	24 + 24 A d.c.		
<b>AC OUTPUT (EPS)</b>			
EPS Rated Output Voltage	380 / 400 V a.c., 3W+N+PE		
EPS Rated Output Frequency	50 Hz		
EPS Rated Output Active Power	8 kW	10 kW	12 kW
EPS Rated Output Apparent Power	8 kVA	10 kVA	12 kVA
EPS Rated Output Current	11.6 A a.c.	14.5 A a.c.	17.4 A a.c.
Overload Capacity (Off Grid)	110% 30s / 120% 10s / 150% 2s		
<b>EFFICIENCY</b>			
MPPT Efficiency	99.90%		
Euro-efficiency	97.50%		
Max. Efficiency	98%		
<b>PROTECTION &amp; FEATURE</b>			
Insulation Monitoring	Yes		
Residual Current Monitoring	Yes		
Parallel Function	Yes		
Protection Degree	IP65		
Certifications	CEI 0-21, EN 50549 -1, VDE -AR-N 4105, UNE 217002, IEC62109-1/2, IEC61000, NTS631		
Other Protection	Output over voltage, Output over current, Short circuit, Surge, Temperature, Anti-islanding		
<b>GENERAL PARAMETER</b>			
Storage Temperature	-25°C ~ +60°C		
Operating Temperature	-25°C ~ +60°C (Linely derating to 60% when exceed +45°C ~ +60°C)		
Humidity	0~100% (No-condensing)		
Operating Altitude	4000 m (>2000 m Derating)		
Noise	<35 dB		
Machine Dimensions (W*H*D)	530*600*210 mm		
Machine Weight/ N.W.	35 kg		
<b>DISPLAY &amp; COMMUNICATION</b>			
Display	LED + APP		
Interface	CAN / RS485 / Bluetooth / WiFi / 4G / DRM (Optional)		

- The AC voltage and frequency range can differ according to the grid standards of each country.
- Please note that all specifications are subject to change without prior notice.