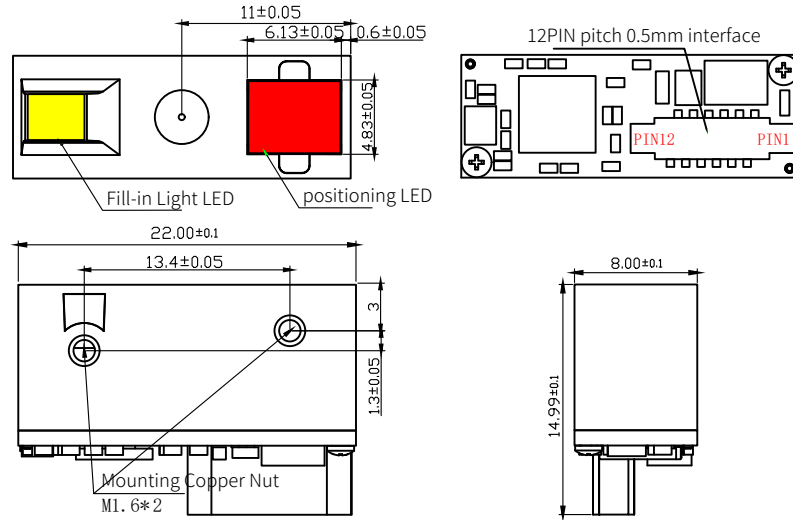




- ◆ Support OCR recognition.
- ◆ Reading with long depth of field and fast recognition speed.
- ◆ Small size, integrated camera and decoder board.
- ◆ Laser positioning.
- ◆ Can be used for PDA, ring scanner, neckband barcode reader, Bluetooth pocket portable barcode reader.
- ◆ It can adapt to complex environments and has a good reading effect in dark environments.

Size:
(mm)



Model		SE4735	SE4760	SE4765	SE4766
Scan Code Performance	Sensor	640 X 480 CMOS@120fps	1400 X 500 CMOS@60fps	1080 X 800 CMOS@120fps	
	Light Source	Red light fill LED / Laser LED aiming			
	View Angle	Horizontal 32°, Vertical 24°	Horizontal 58°, Vertical 20°	Horizontal 32°, Vertical 24°	Horizontal 45°, Vertical 34°
	Decoding Capability	2D: QRCode(Mode1,Mode2)、MicroQR、Data Matrix、PDF417、MicroPDF417、Aztec、HanXin、Maxicode、Grid Matrix Code、Code 16K、Code49、GS1 Composite 1D: Code128、Code39、Code93、EAN13、EAN8、UPC_E(E0,E1)、ISBN13、Interleaved 2 of 5、Industrial 2 of 5、Matrix 2 of 5、RSS14(GS1 Databar)、RSS Limited(GS1 Databar Limited)、RSS Expanded(GS1 Databar Expanded)、RSS14 Stack(GS1 Databar Stack)、RSS Expanded(GS1 Databar Expanded Stack)、Codebar、MSI Plessey、Code 11、Standard 2 of 5、Plessey、ChinaPost 2 of 5			
	Depth of Field	Code39: 3 ~ 18cm (5mil) PDF417: 5 ~ 10cm (5mil) EAN13: 4 ~ 45cm (13mil) Code128: 4 ~ 55cm (20mil) Code39: 5 ~ 80cm (20mil)	Code39: 13 ~ 14cm (3mil) Code39: 14 ~ 21cm (4mil) Code39: 14 ~ 26cm (5mil) Code128: 7 ~ 23cm (5mil) PDF417: 9 ~ 27cm (5mil) PDF417: 6 ~ 34cm (6.67mil) DataMatrix: 8 ~ 17cm (10mil) UPCA: 5 ~ 44cm (13mil) UPCA: 6 ~ 50cm (15mil) Code128: 4 ~ 52cm (15mil) Code39: 7 ~ 58mm (20mil)	Code39: 8 ~ 15cm (3mil) Code39: 6 ~ 23cm (4mil) Code39: 5 ~ 21cm (5mil) Code128: 4 ~ 21cm (5mil) PDF417: 4 ~ 20cm (5mil) PDF417: 4 ~ 28cm (7.5mil) DataMatrix: 4 ~ 14cm (10mil) UPCA: 6 ~ 58cm (13mil) EAN13: 8 ~ 76cm (15mil) QR: 4 ~ 30cm (15mil) Code128: 8 ~ 90cm (15mil) Code39: 11 ~ 95cm (20mil)	Code39: 8 ~ 16cm (3mil) Code39: 5 ~ 23cm (4mil) Code39: 5 ~ 23cm (5mil) Code128: 4 ~ 23cm (5mil) PDF417: 4 ~ 17cm (5mil) PDF417: 4 ~ 23cm (7.5mil) DataMatrix: 5 ~ 12cm (10mil) UPCA: 4 ~ 50cm (13mil) EAN13: 5 ~ 60cm (15mil) QR: 3 ~ 26cm (15mil) Code128: 5 ~ 70cm (15mil) Code39: 6 ~ 80cm (20mil)
	Scan Angle	Rotation: 360°, Pitch: ±60°, Deflection: ± 60°			
	Scan Mode	Manual mode			
	Precisions	1D ≥ 3mil / 2D ≥ 7.5mil (TBD)	1D ≥ 3mil / 2D ≥ 9mil (TBD)		
	Symbol Contrast	≥15% (TBD)			
Physical Parameters	Weight	< 5g			
	Dimensions	22mmL * 14.8mmW * 8mmH			
	Interface	TTL			
	Prompt Mode	LED prompt, Buzzer (External connection available)			
	Voltage	DC +3.3V (±5%)			
	Current	TBD			