

DHC09A Series Current Transformer

Feature :

1. Permalloy core ,
2. High precision, good linearity ;
3. Epoxy potting , Safe and reliable
4. Flame retardant (UL94- V0),
5. Environmental protection(EU RoHS).
6. Small, Compact Design
7. Easy to assemble and weld

Guideline:

National standard: GB1208-2006.

Industry Standard: JBT10665-2006.

Use Temperature : -25°C-+85°C

Relative humidity : ≤95%

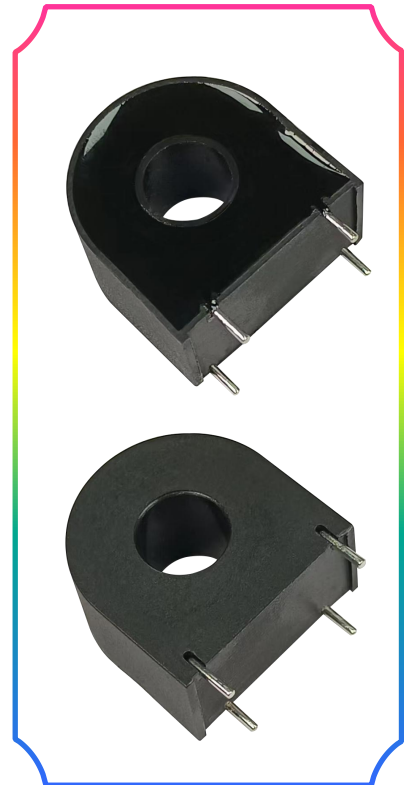
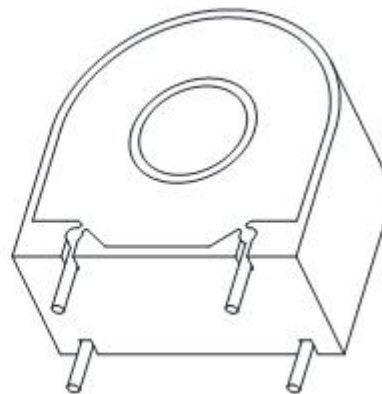
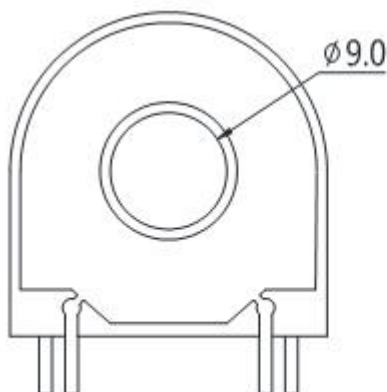
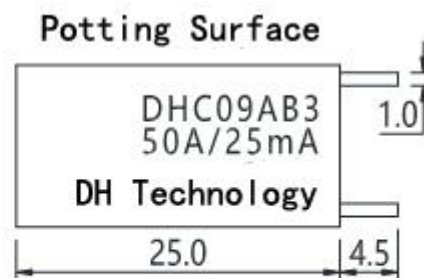
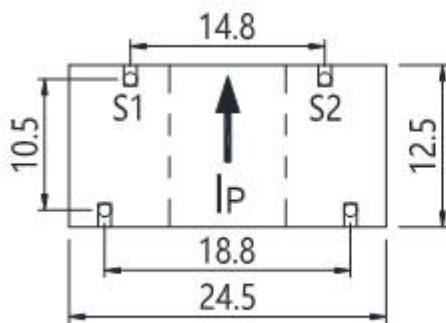
Scope of application :

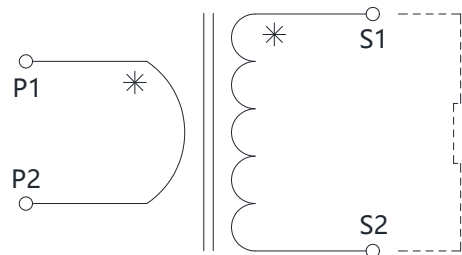
Suitable for instrumentation, etc., need to convert large current into small current for precise measurement,
Used for precision measurement or as electrical safety protection.

Notes :

If the load connected to the secondary of the transformer exceeds the rated load capacity, it may result in reduced accuracy or saturation. If you need to increase the load capacity and we can provide customized.

Size:



Circuit schematic:

Note: This schematic diagram is the basic working principle of the transformer. We can design the transformer sampling circuit for the customer.

Specification:

No	Project	Performance					
1	Model	DHC09AB1	DHC09AB2	DHC09AB3	DHC09AD1	DHC09AD2	DHC09AD3
2	Rated input current	20A	30A	50A	20A	30A	50A
3	Rated output current	10mA	15mA	25mA	20mA	30mA	50mA
4	Allow overload multiple	1.2times					
5	Ratio	2000:1			1000:1		
6	Ratio difference	$\leq 0.1\%$			$\leq 0.2\%$		
7	Phase difference	$\leq 5'$			$\leq 10'$		
8	Accuracy level	0.1			0.2		
9	Linear range	0~120%					
10	Linearity	$\leq 0.1\%$					
11	Load Resistance	50Ω					
12	isolation withstand voltage	3kV/2mA/1min					
13	frequency range	50/60Hz(Test frequency:50Hz)					
14	Working Temperature	-40~85℃					
15	Storage Temperature	-40~90℃					
16	Relative humidity	$\leq 95\%$					

Note: If there is no product suitable for your use in the above table, we can tailor the product according to your technical and structural requirements.