

Product Series: DH**01T Series Current Transmitter

Product description:

The primary and secondary sides of the DH**01T series current transmitter are completely isolated.

Be used to measure DC, AC, high frequency, pulse and various irregular waveform current signals.



Features:

- ✦ Multi-range current sensor
- ✦ Multiple power supplies available
- ✦ Various output forms
- ✦ Low power consumption
- ✦ 35mm DIN rail mounting or screw fixing
- ✦ High bandwidth, low loss
- ✦ Complete isolation between primary and secondary

Product advantages:

- ✦ High accuracy
- ✦ Overload/reverse connection protection
- ✦ Strong anti-interference ability
- ✦ Low temperature coefficient
- ✦ High magnetic induction core
- ✦ High quality pure copper coil
- ✦ ABS flame retardant shell

Application areas:

- ✦ Power Industry
- ✦ Railway industry
- ✦ PV industry
- ✦ Petrochemical industry
- ✦ Electric control cabinet matching
- ✦ Power monitoring system

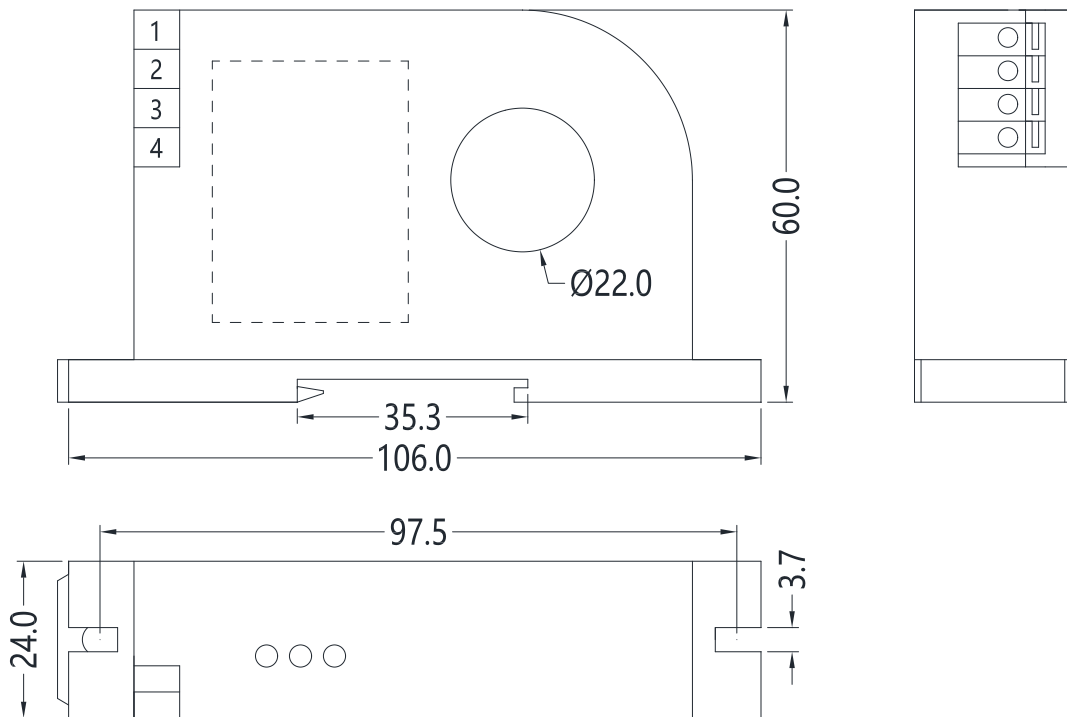
Guideline:

- ✦ GB/T 34070-2017
- ✦ UL 508: 2010
- ✦ EN 50178: 1997
- ✦ IEC 61010-1: 2010
- ✦ IEC 61326-1: 2012

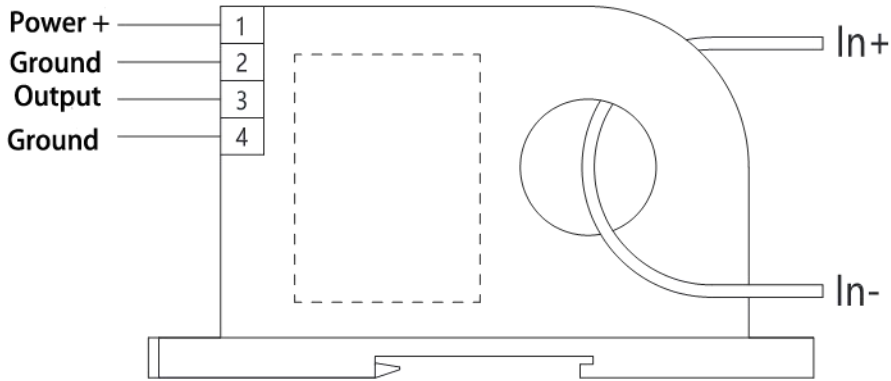
Basic technical parameters

Item	technical parameter
Accuracy	0.5 class
Power supply	12VDC/24VDC/220VAC
Input	50A/100A/200A/300A/400A AC (DC customized)
Output signal	4-20mA/0-20mA/0-5V/0-10V/RS-485
Ambient temperature	-25~+60°C
Load capacity	550Ω
Isolation withstand voltage	DC 2500V
Response time	≤500mS
Temperature drift coefficient	≤100PPM/°C
Shell material	ABS
Installation method	Standard 35mm DIN rail or screw mounting

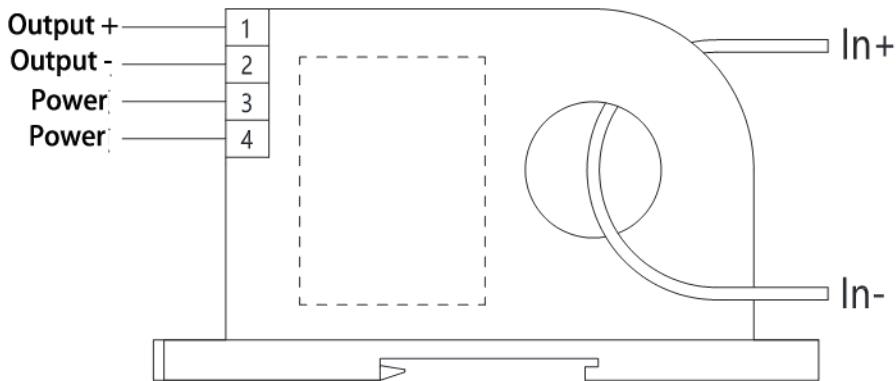
Product size chart (unit: mm)



Product wiring diagram:



DC +12V/+24V Power supply wiring diagram



AC 220V Power supply wiring diagram

Customizable:

This specification is a standard product. If other technical parameters are required, our company can customize it for customers.