



# CO2 series

CO2 flying laser marking machine

Average output power:  
60W



Marking speed  
200m/min



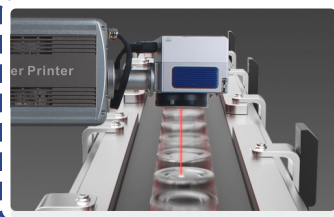
No consumables,  
long-term maintenance-free

## PRODUCT DESCRIPTION

LEAD TECH 60w CO2 flying laser marking machine is a high-speed continuous marking model designed to improve productivity. It uses **industrial-grade metal CO2 laser tube**. It has good optical modes and fast processing efficiency. The marking speed of the production line is up to 200m/min ( Single-line 2MM-high numbers and letters), it provides high-speed, high-yield application identification requirements, it mainly used in production date, anti-counterfeiting, medical and food packaging industries. This model supports functions such as automatic encoding, serial number, batch number, date, barcode, two-dimensional code, automatic number skipping, etc., to meet the needs of customers in different industries.

The CO2 flying laser marking machine is suitable for online marking of most non-metallic materials, such as paper packaging, film packaging, coated metal, plexiglass, resin plastic, bamboo and wooden products, PVC products, etc. It is widely used in food and beverage packaging, alcohol, dairy products, clothing accessories, leather, electronic components, medicine, personal care products, tobacco, chemical building materials, production and expiration date, batch number, shift, manufacturer name and logo, etc.

## PRODUCT CHARACTERISTICS



### MARKING SPEED UP TO 200 METERS PER MINUTE

This is the industry's fastest marking laser coding system, with a marking speed of up to 200 m/min (single line of 2MM-high numbers and letters), which can be used in medium-speed or high-speed production lines

### RELIABLE AND DURABLE CO2 LASER SOURCE

Using CO2 metal radio frequency laser source, the laser power density is uniform, the output light power is stable, there is no light leakage, anti interference and there will be no shadows and virtual disconnection on special materials.



### COMPACT DESIGN AND FLEXIBLE CONFIGURATION

This model uses compact laser printer marking head to achieve simple integration to reduce installation costs and improve positioning flexibility

### FLEXIBLE INSTALLATION WAY, CONVENIENT INSTALLATION POSITION ADJUSTMENT

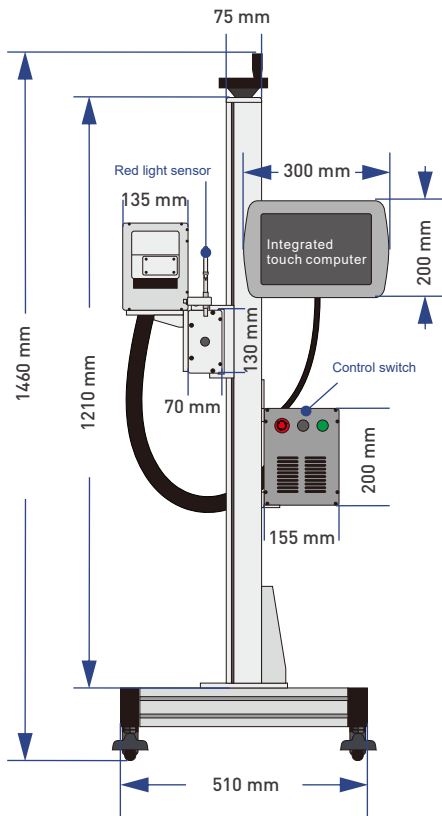
The flying model is specially designed for high-speed production lines, which can be flexibly combined with production lines for installation and use. The frame can be moved up and down and left and right to adjust, the marking head can also be rotated 360° for marking.



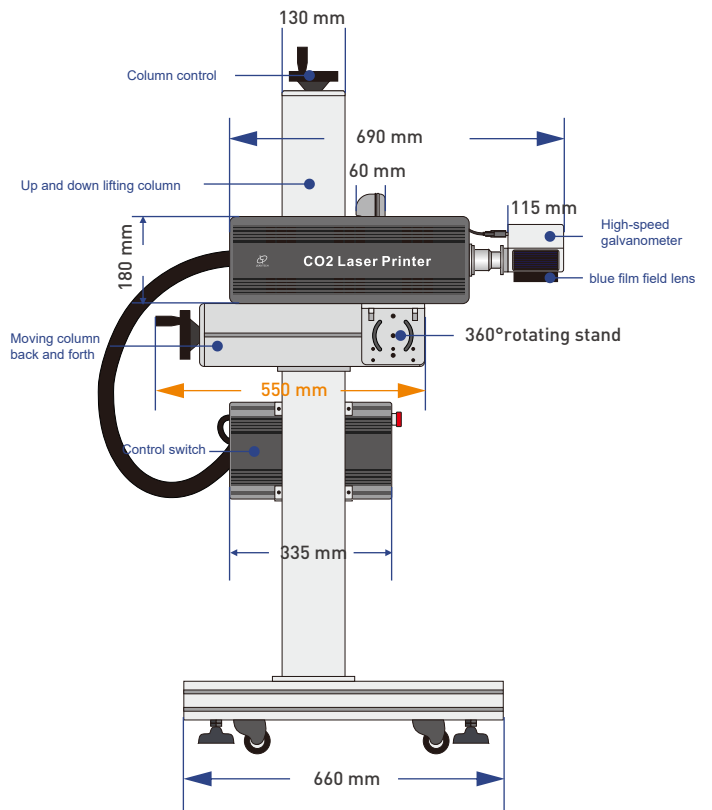
## PRODUCT PARAMETER

Laser Type		CO2 Laser
Model		LT60C
Laser parameters	Output Power	60W
	Beam quality M <sup>2</sup>	≤1.2
	Laser wavelength	10.55~10.6 um 1
	Pulse frequency	0-25 kHz
	Exit beam diameter	1.8±0.2 mm
	Output power stability	±5%
	Working life	About 20,000 working hours (non-lifetime)
Optical properties	Marking range	100~300mm (range optional)
	Engraving depth	≤1mm (depending on power and time)
	Engraving speed	≤10000mm/s
	Repeat accuracy	±0.002
	Minimum marking line width	0.1mm
	Minimum character height	0.15mm
Use environment	Cooling way	Standard built-in air cooling (water cooling can be customized)
	System power supply	500W / 220V / 50Hz (110V can be connected)
	Temperature humidity	0~40°, 30% RH 85%, air conditioner should be installed when used outside the range
	Oil mist, condensation	Not allowed
Other parameters	Operating system	Flying laser marking system
	File format	The software supports text, QR code, barcode, serial number, graphics and other marking content
	Dimension	660X510X1460 mm
	Packing dimension	Host: 980X600X370 mm Column: 1350X350X280 mm
	Total Weight	About 63kg

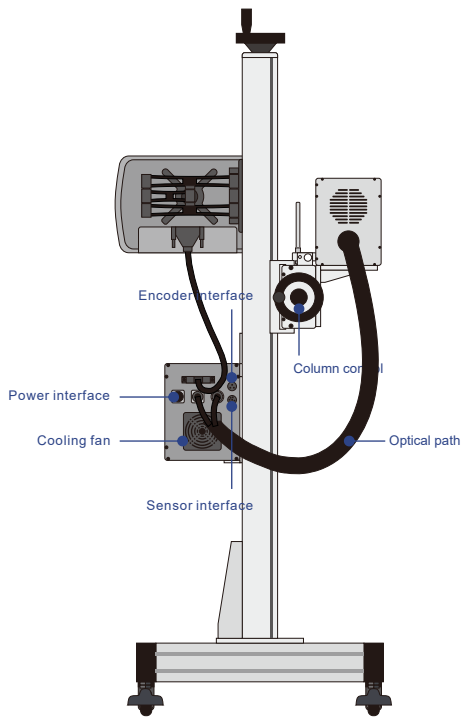
# PRODUCT SIZE



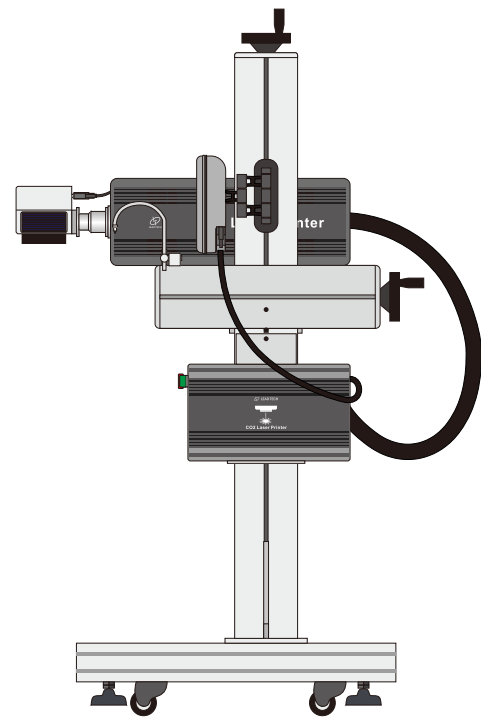
FRONT VIEW



RIGHT SIDE VIEW



BACK VIEW



LEFT SIDE VIEW