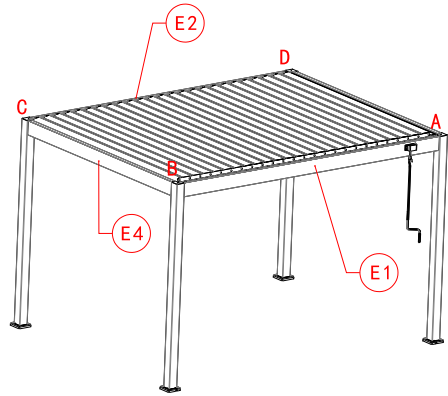


INSTALLATION DIAGRAM (M170 4*3m)

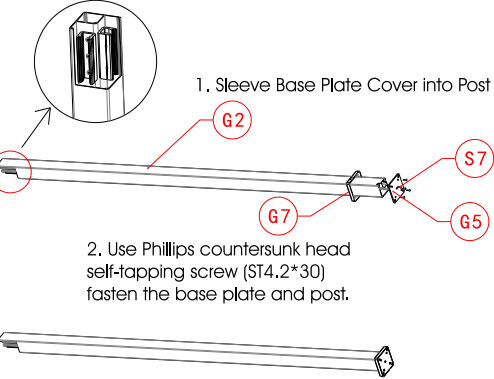
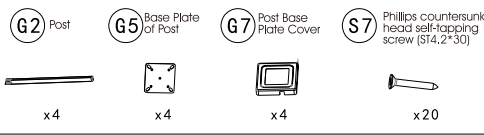


M170 4*3 LIST OF ALUMINIUM PROFILE and COMPONENTS

E1	Up Beam Part		X1	H22	Hand Crank Mechanical Part		X1
E2	Down Beam Part		X1	H23	Sleeve		X1
E4	Left & Right Beam Part		X2	H24	Hand Crank Bar		X1
E27	Up Beam Cover 1		X1	H1	Hand Crank Connection Part		X1
E28	Up Beam Cover 2		X1	S1	Expansion bolt		X16
E29	Up Beam Cover 3		X2	S5	Phillips pan head self-tapping screw (ST4.2*16)		x116
E9	Connection Rod		X1	S7	Phillips countersunk head self-tapping screw (ST4.2*30)		X152
E10	Gutter Clamp		X4	S8	Hexagon countersunk head screw (M6*15)		X4
G1	Post		X4	S9	Hexagon pan head screws (M6*16)		X16
G4	Post Decoration Cover		X4	S10	Hexagon pan head screws (M6*25)		X4
G5	Base Plate of Post		X4	S20	Connection Rod Screws		X25
G7	Post Base Plate Cover		X4	S2	Louwer and hand crank connection screw		X1
F9	Connect Hand Crank Louver		X1				
F10	Standard Louver		X24				

Installation Step

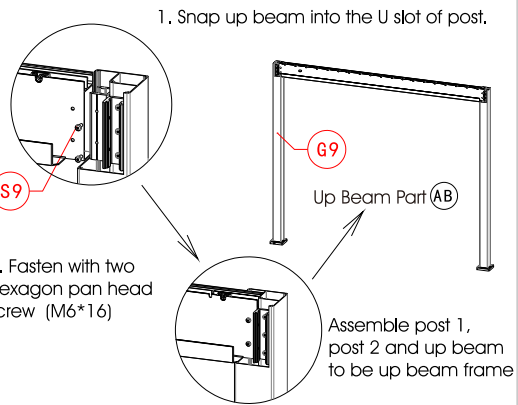
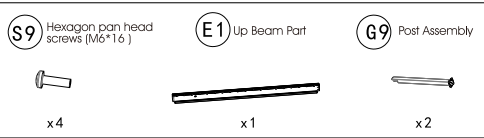
1-Assemble Post Structure



Assemble post, Base Plate cover, Base plate to be Post structure

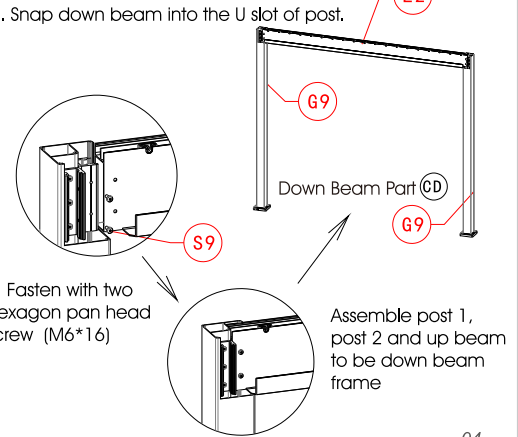
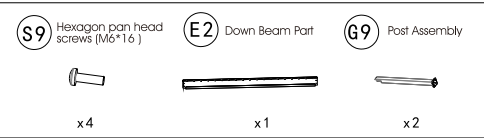
01

2-Assemble Up Beam Frame (AB)



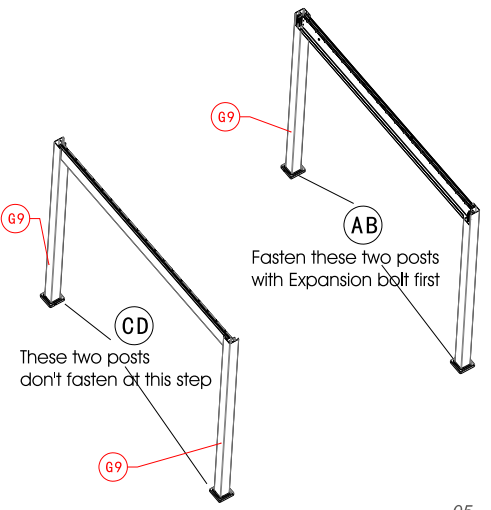
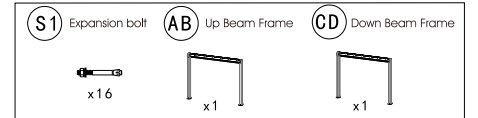
03

3-Assemble Down Beam Frame (CD)



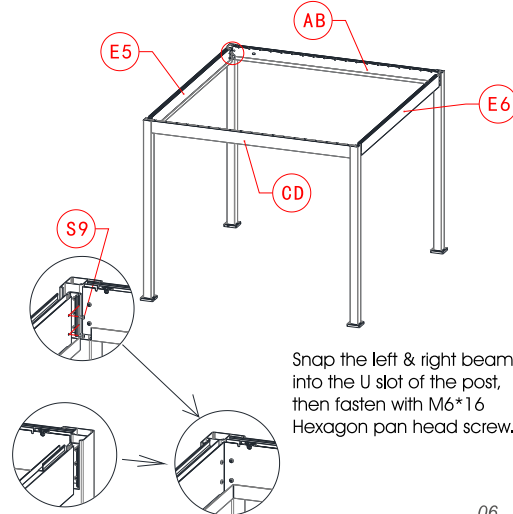
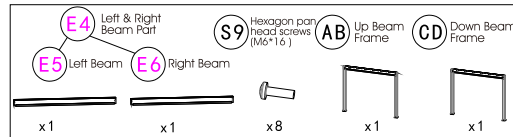
04

4-Fasten The Post



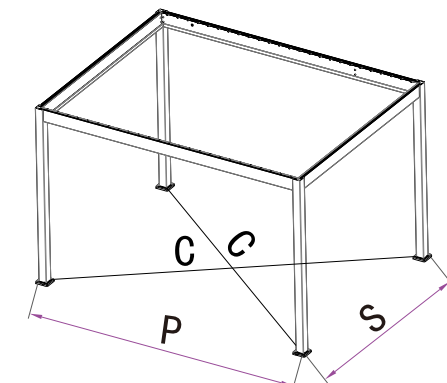
05

5-Assemble the Whole Frame



06

6-Adjust and Fasten The Frame

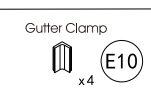
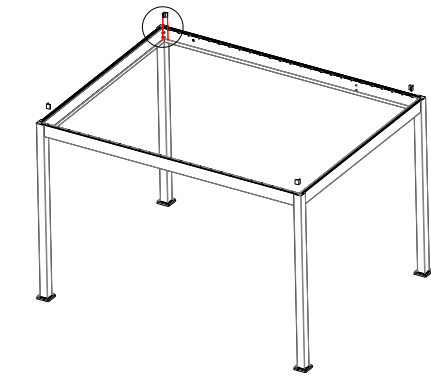


Measure the diagonal and line between two posts, ensure size correct, then fasten other two posts.

Install Measurement Data Sheet				
Distance	P	S	C	
Size	4x3	3905	3005	4623.1

07

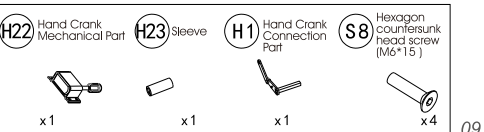
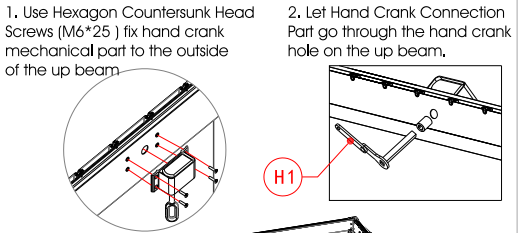
7-Install Gutter Clamp



Install the gutter clamp in the gutter corner and seal the inner side of gutter clamp by silicone sealant.

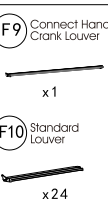
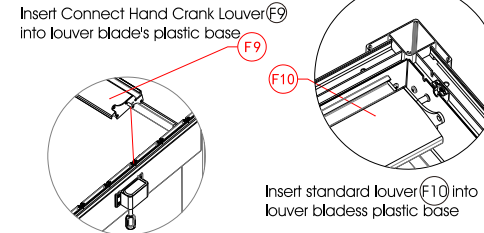
08

8-Install Hand Crank

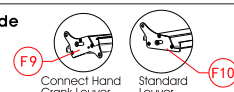


09

9-Install The Louver Blades

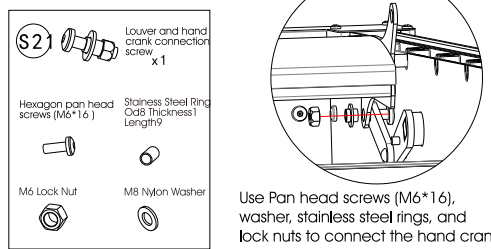


Distinct the louver blade

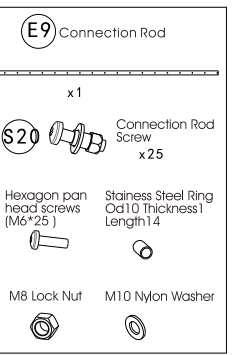


10

10-Install Connecting Rod



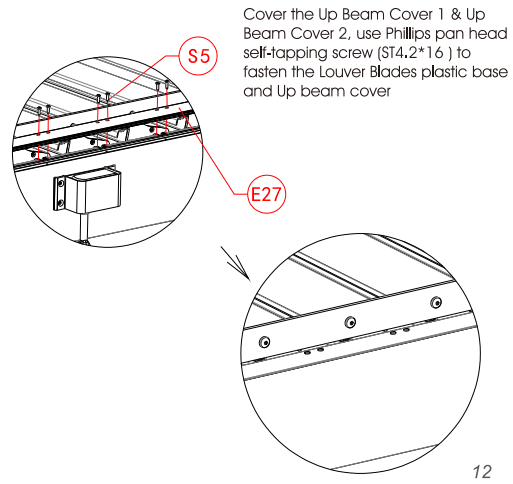
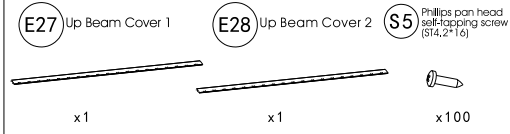
Use Pan head screws (M6*16), washer, stainless steel rings, and lock nuts to connect the hand crank connections parts and Connect Hand Crank Louver (put the washer between the mounting base and blade end cap).



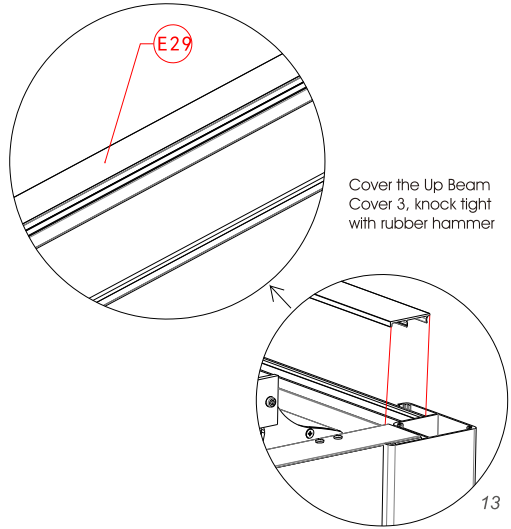
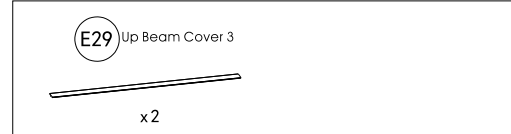
Install the connecting rod on the hand crank side of louver end cap with ear, fasten with connection rod screws.

11

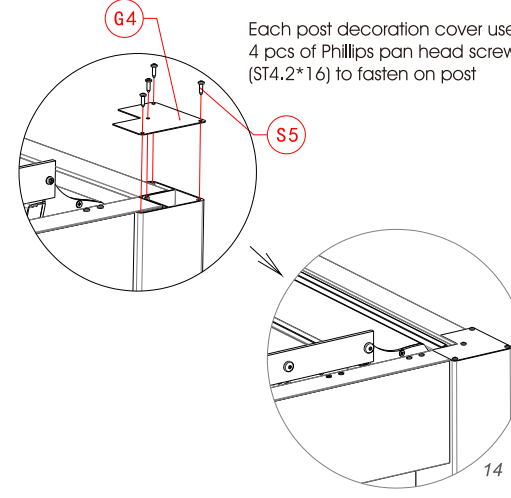
11-Fasten the Up Beam Cover 1 & Up Beam Cover 2



12-Fix Up Beam Cover 3



13-Install the Post Decoration Cover



14- Hand Crank Rotation

