

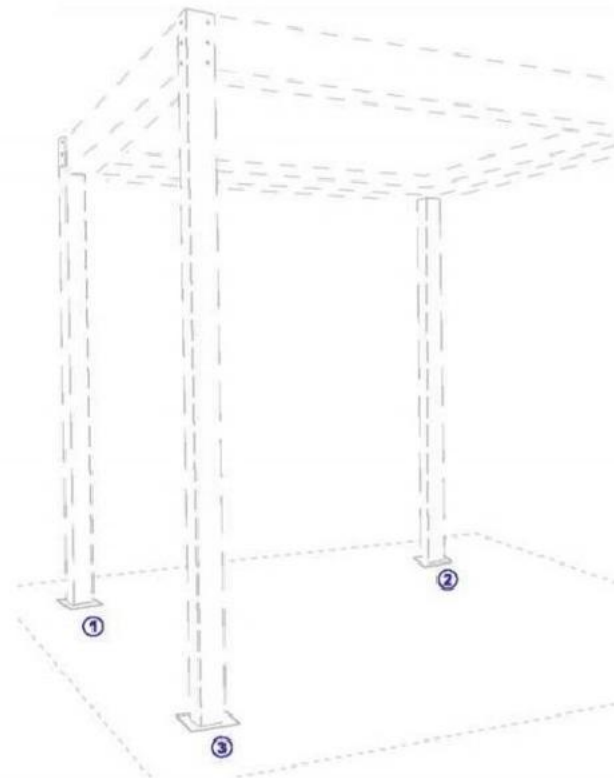
Installation Instructions

Freestanding

Installation Process

Step 1
Lay out the posts and mark the positions of the four corners of roof.

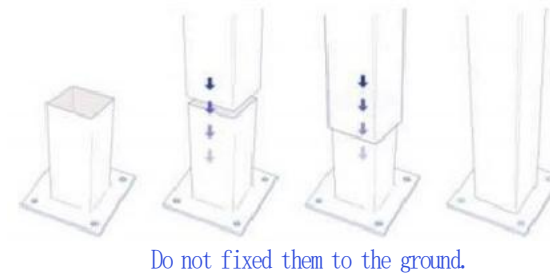
Step 2
Level the site.
Cut the posts based on the levelness of the layout points.



Step 3

Base Plate

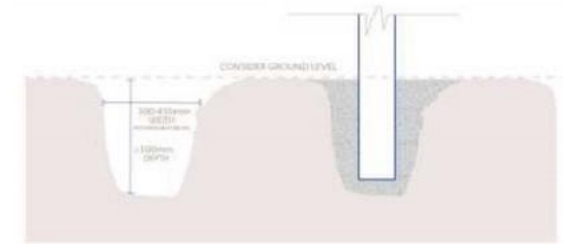
Place the four posts in position and insert inner post bracket into the post. Do not fix the base plate to the ground yet.



Aluminium Waterproof Starry Pergola

posts points

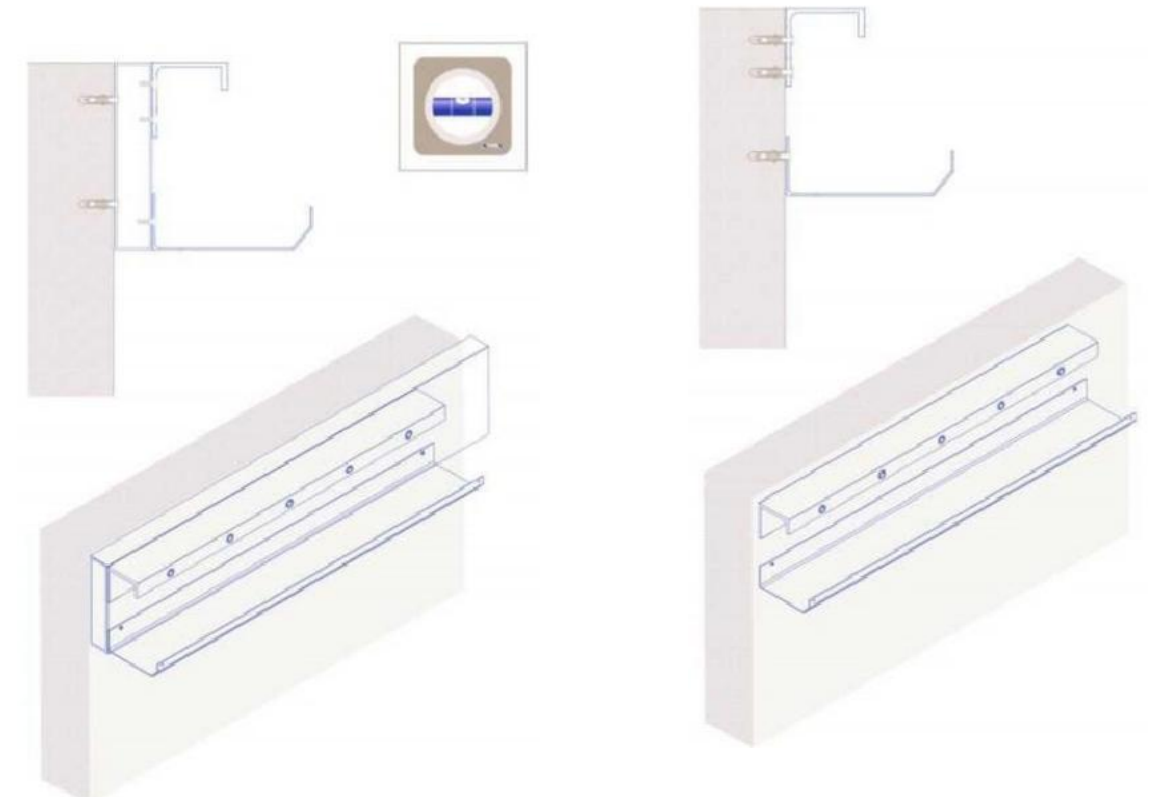
If pre-burial is required, dig footings to the desired depth, fill the posts in place with cement, and ensure the tops of all posts are level.



The above installation instructions apply to freestanding structures. If it is wall-mounted structure, please follow the wall mounting installation process.

With frame

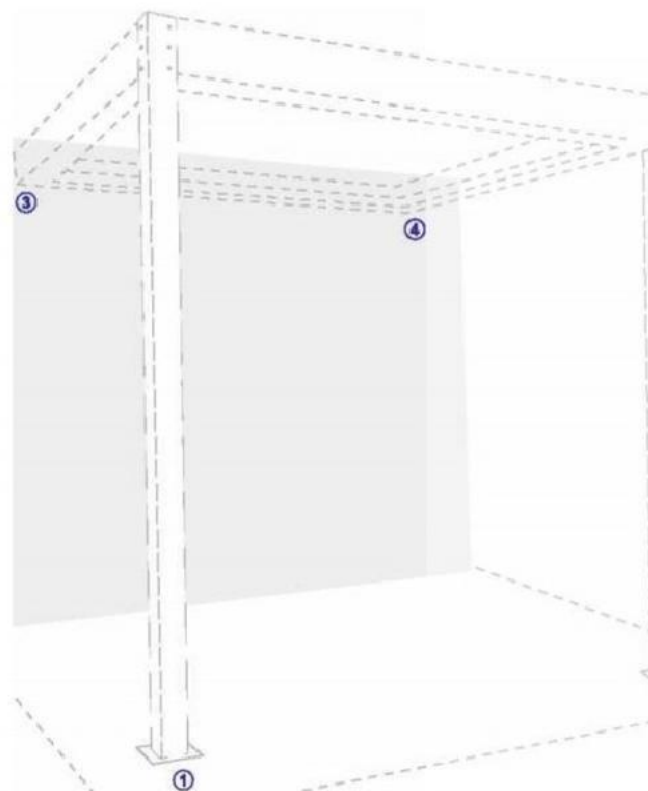
Without frame



Wall-mounted Installation Process.

Step 1
Lay out the posts and mark the positions of the four corners of roof.

Step 2
Level the site.
Based on the levelness of the posts positions, cut the posts and use them to mark the height on the wall.

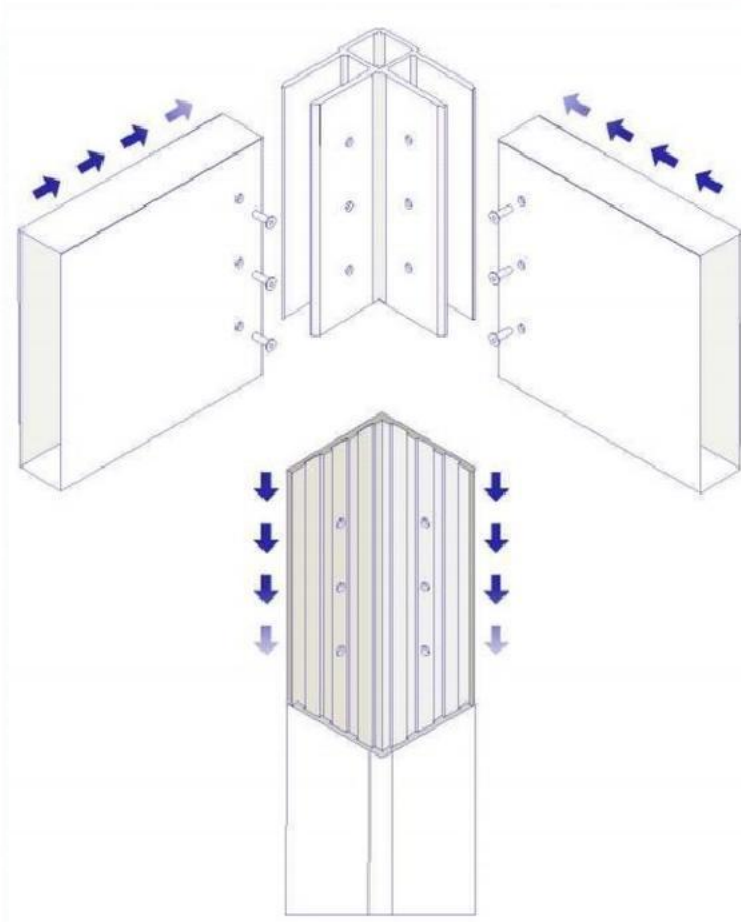


Aluminium Waterproof Starry Pergola

Installation Instructions

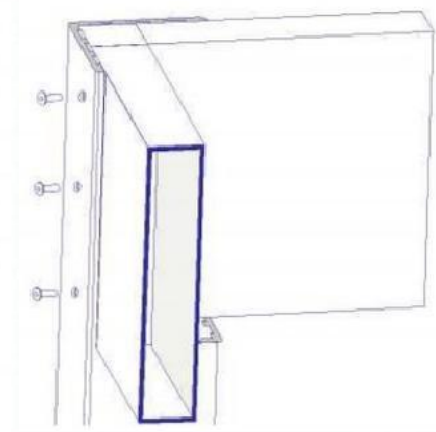
Step 4

Insert coner bracket into the beam and then fixed by stainless steel **M8 x 30mm** hex screws. Only fixed one side of coner bracket to beam firstly.



Step 5

Fixed beam to the post.

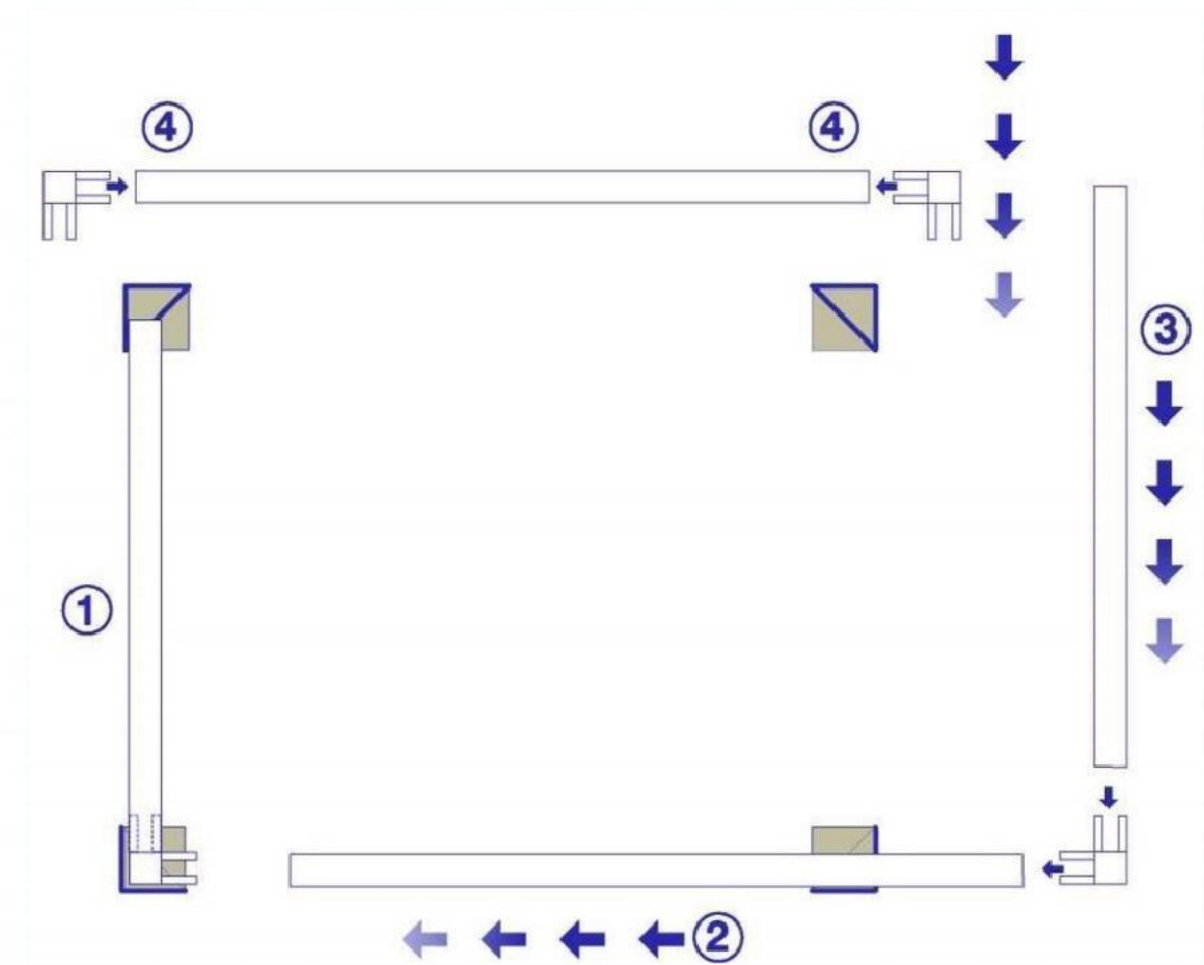


Step 6

Insert other side of coner bracket into the beam and fixed. And ensure it is 90 degree.

Step 7

The same process assembly other beams.

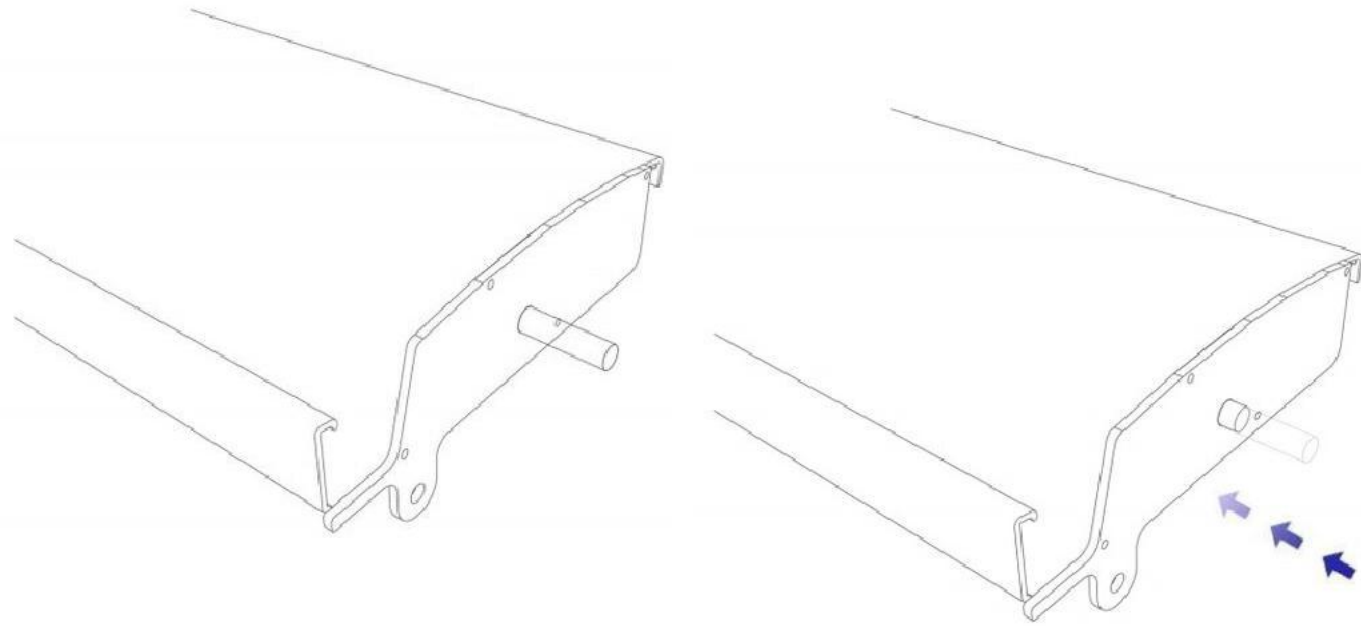


Please note:

It should start install mounting side at first. And then install the post side.

Aluminium Waterproof Starry Pergola

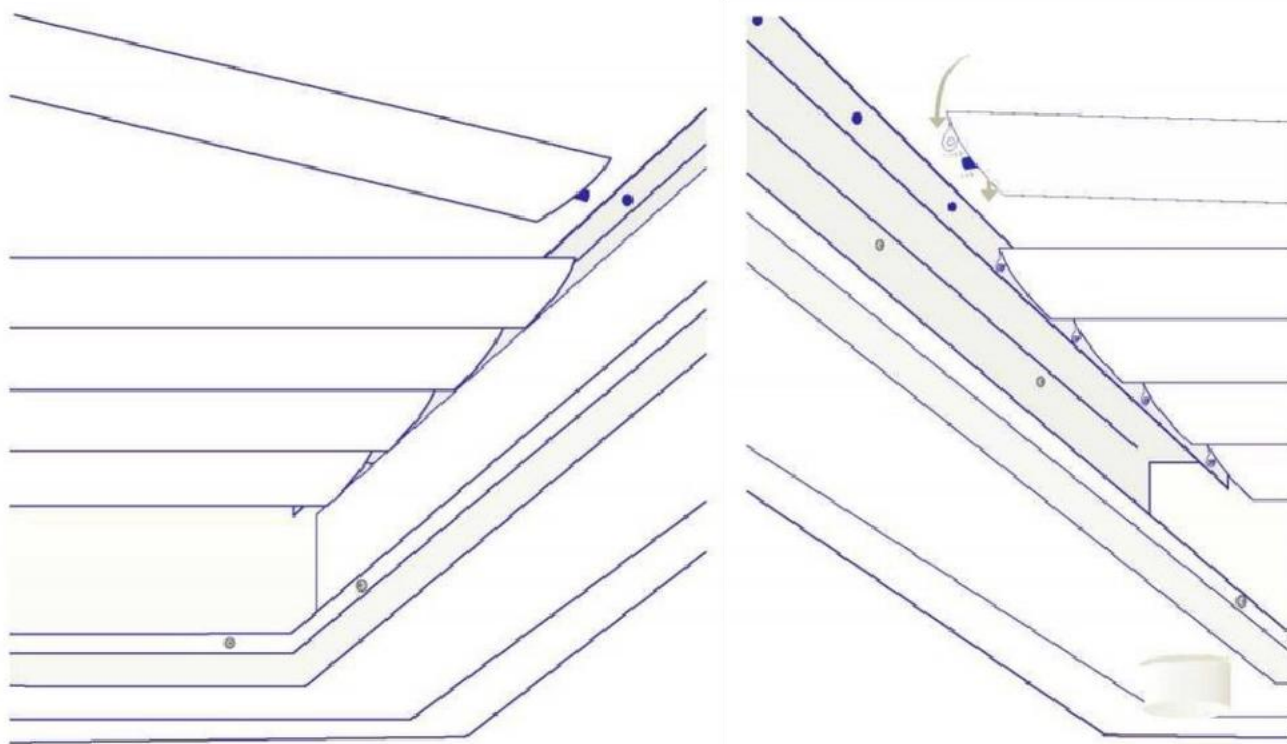
Installation Instructions



Step 8

Blade Installation.

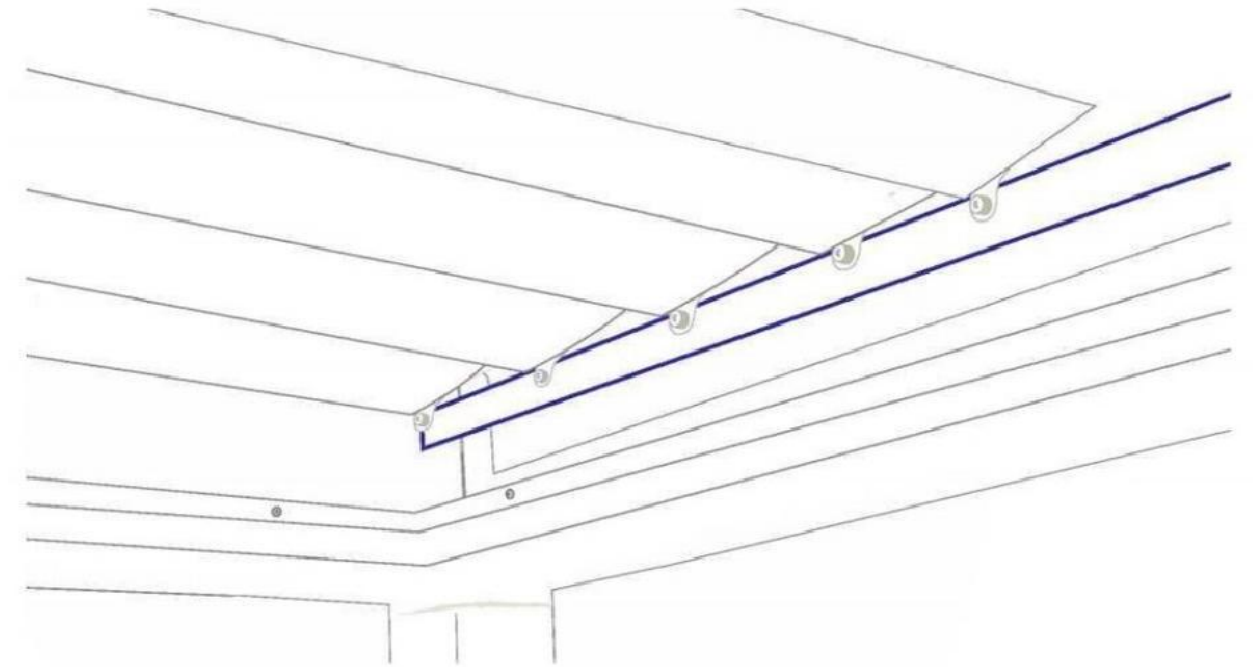
Insert blade into the blade base.



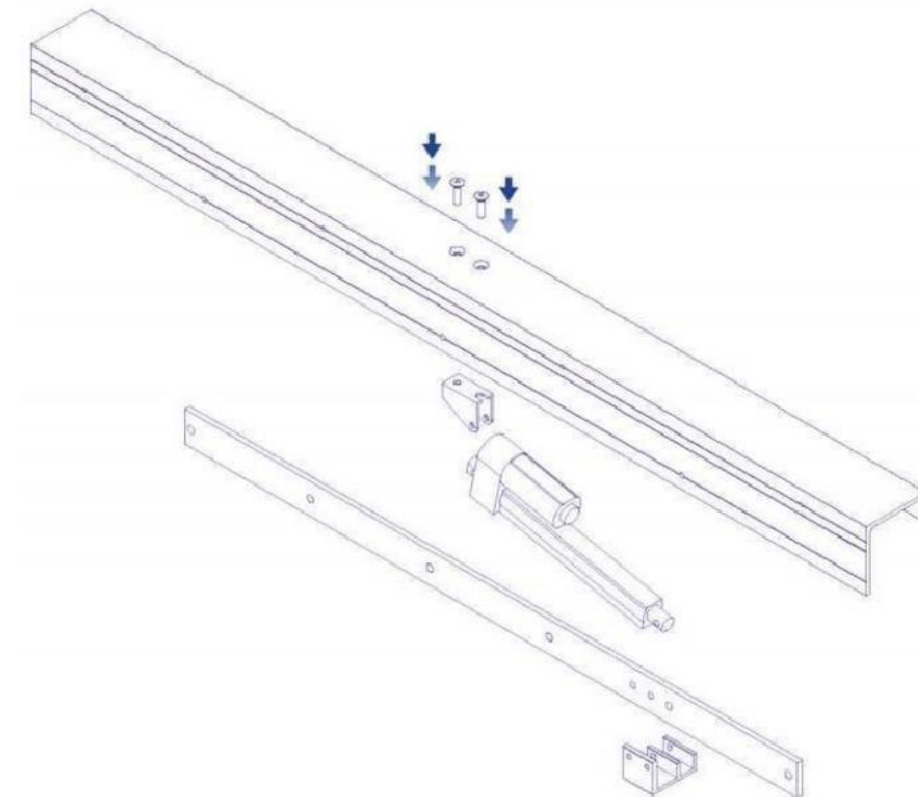
Insert the pin into the side rail.

Step 9 Connection Rod Installation

Use M8*20 screw fixed blade to connection rod



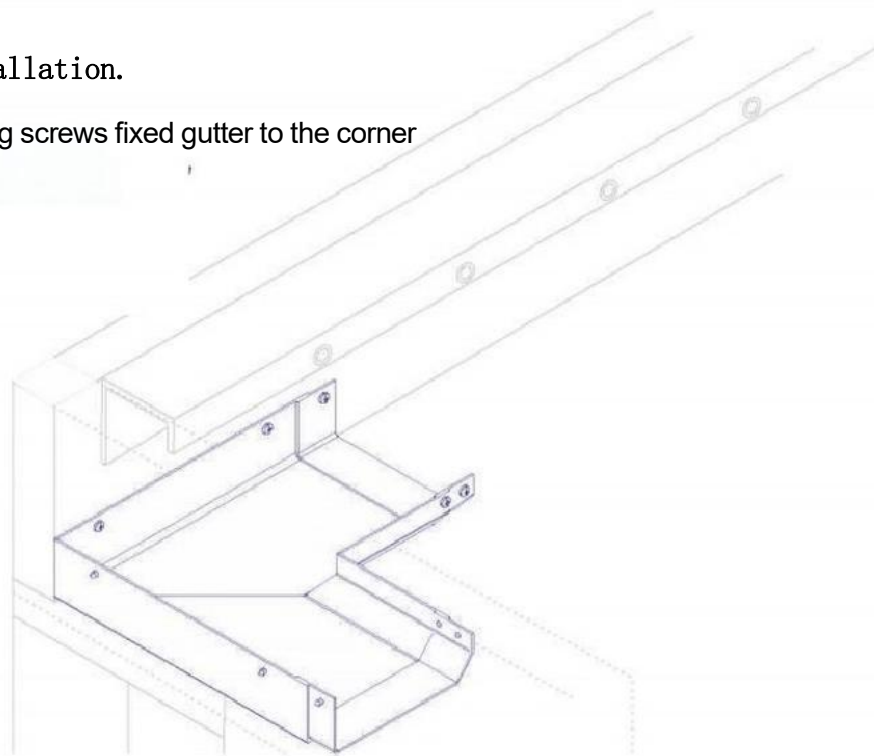
Step 10-Motor Installation



Installation instructions

Step 11 - Gutter Installation.

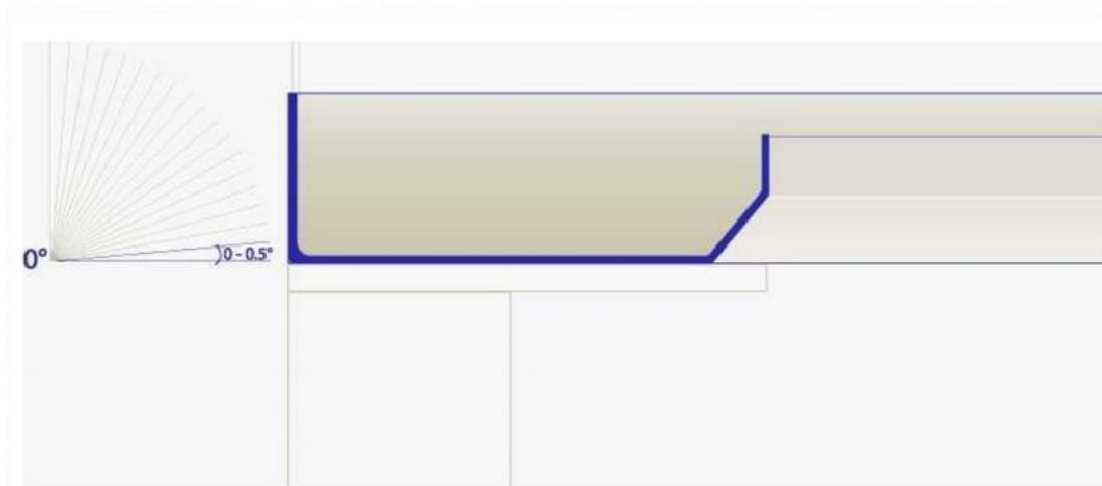
Use **ST4.8*13** self-tapping screws fixed gutter to the corner



Step 13-

Sufficient Slope

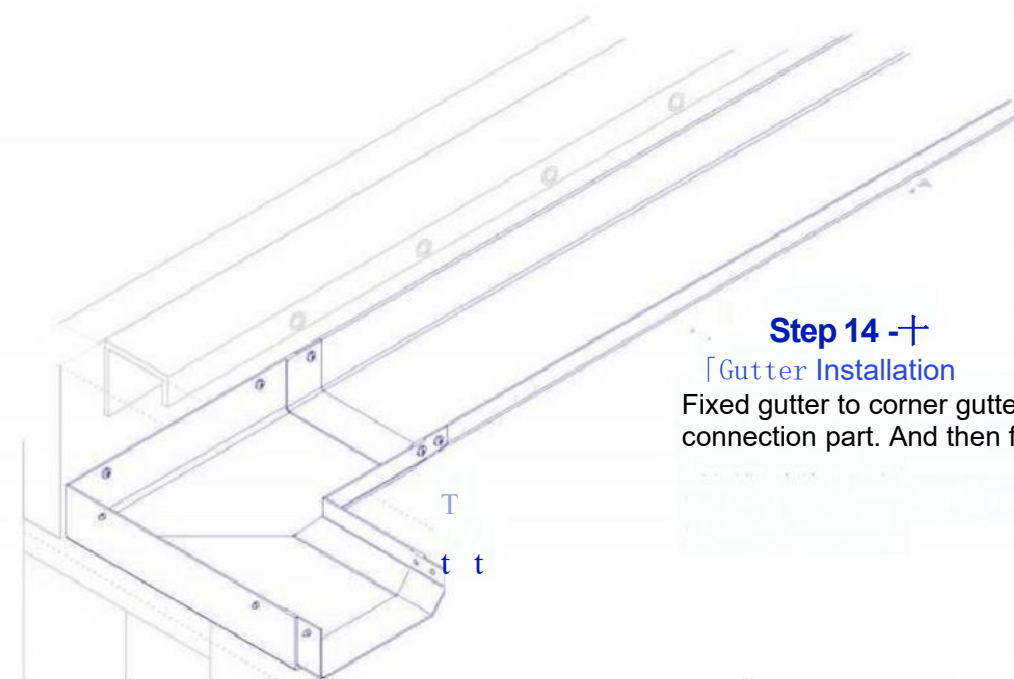
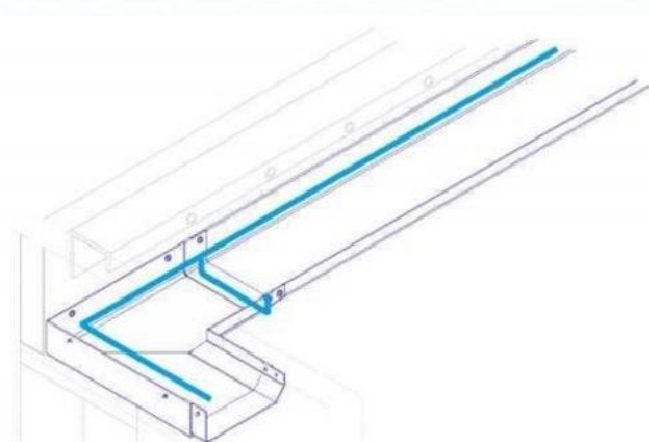
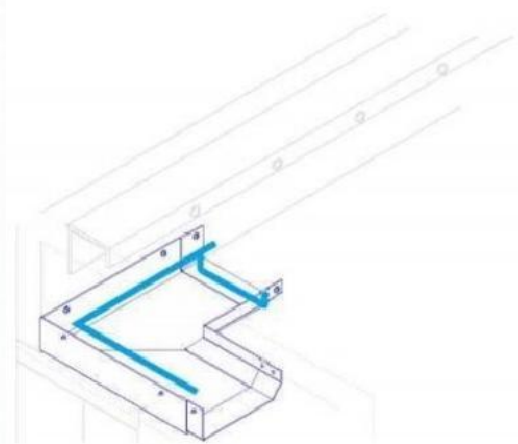
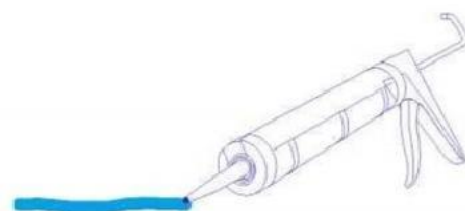
For gutter with drainage, it is little lower slope than the other gutters to keep better drainage.
The recommended minimum slope is 0.5 degrees.



Step 12-

Silicone

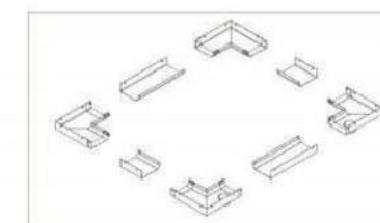
Fullfill silicone into the gutter connection part.



Step 14 -+

[Gutter Installation

Fixed gutter to corner gutter and then fulfil silicone to connection part. And then foxed bu screw

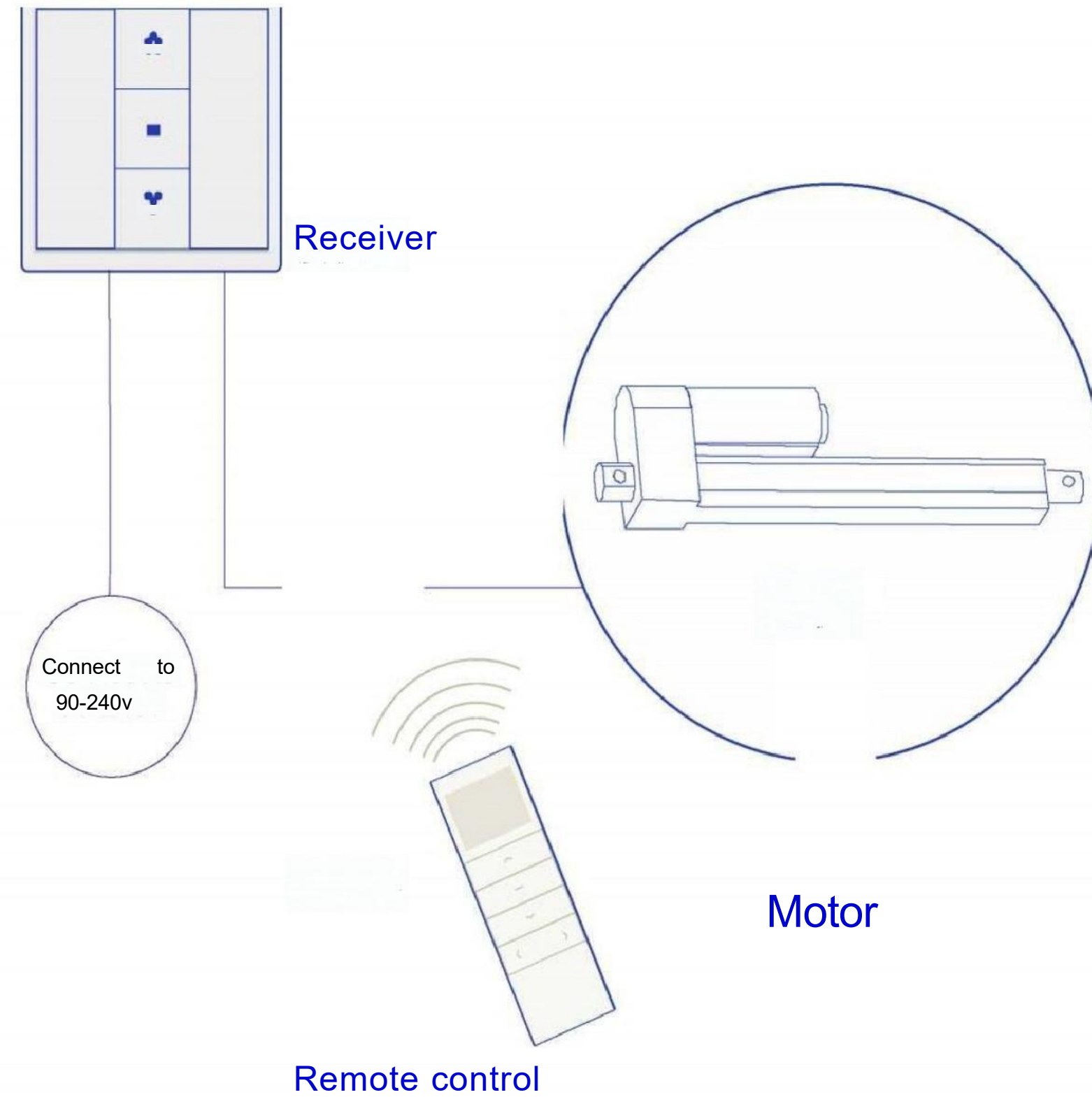


Cable and Motor Instructions

Step 15-

Motor Installation

Join the connector of cable.



Step 16-

Motor Installation.

Connect the motor cable and then test it. Ensure the pergola run well.