

• LIST OF COMPONENTS AND ACCESSORIES

A Post	H Plastic base cover	C Cylindrical head hexagon socket screw
B Beam(include sub-beam)	I Blade's plastic base	P Copper ring
C Blade	J Gutter clamp	G Lock nut
D Beam (not include sub-beam)	K Base plate of post	R Washer
E Gutter	L Decoration cover	S Countersunk head tapping screw
F Sub-frame	M Water outlet unit	T Expansion bolt
G Sub-frame cover	N Aluminium sheet	

01

• LIST OF INSTALLATION TOOLS

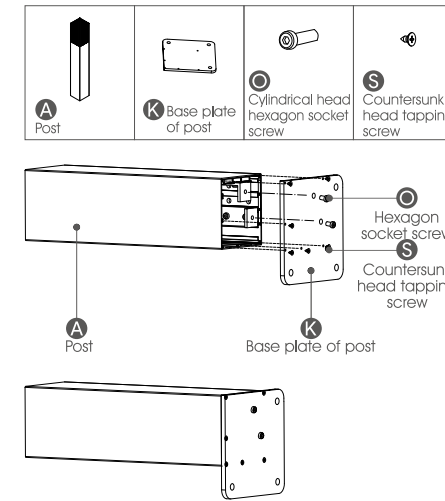
Item	QTY	Picture	Description	Remark
levelling instrument	1		Measure the flatness of ground, the verticality of the post and the horizontality of the beam.	Prepared by customer
Aluminium Cutting Machine	1		Adjust the height of post according to the actual ground flatness on site.	Prepared by customer
Hammer drills and drill bits	1		Used for the opening of the column blasting bolts	Prepared by customer
Adjustable wrench or socket	1		Used for the installation of post bolts	Prepared by customer
Hammer	1		Used to fix the post blasting bolts.	Prepared by customer
Hand drill and drill bit, bit (cross and hexagon socket)	1		Used for screws connection, socket opening installation, etc	Prepared by customer
Tape measure or laser rangefinder	1		Used for measuring site and installation positioning	Prepared by customer

02

• INSTALLATION STEPS

1- Install Base Plate To Post

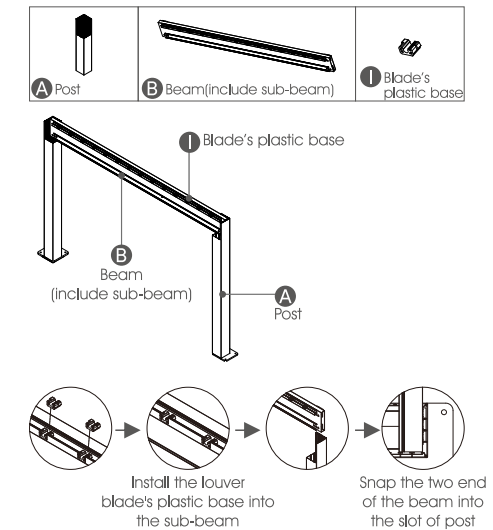
Use **C** cylindrical head hexagon socket screw and **S** countersunk head tapping screw to install the **K** base plate to **A** post.



04

2- Assemble The Beam And Post

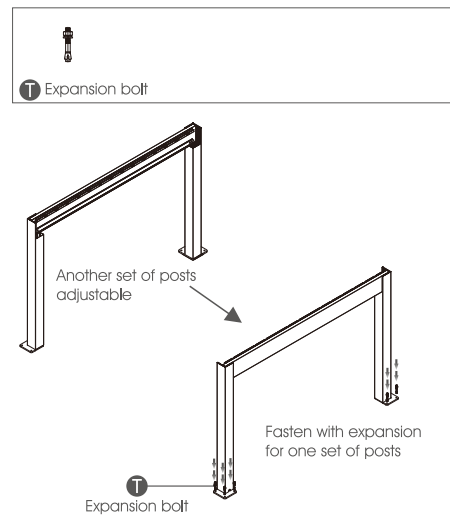
First install the **I** blade's plastic base into the **B** beam (include sub-beam). Then snap the two end of the **B** beam (include sub-beam) into the slot of **A** posts. Other **B** beam (include sub-beam) and **A** posts also assemble in same way.



05

3- Fasten The Post

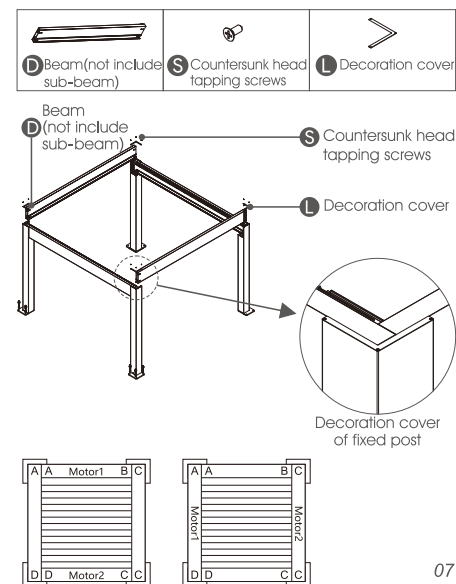
Measure and position one set of the posts, then fasten with **T** expansion bolts. Another set of post adjustable.



06

4- Assemble The Whole Beam

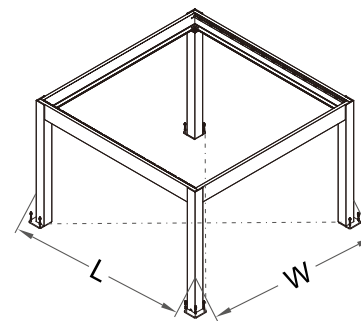
Snap the two end of the **D** beam (not include sub-beam) into top slot of the posts, use screws to fasten the beams from inside. Then use **S** countersunk head tapping screws install **L** decoration cover to the top of the post.



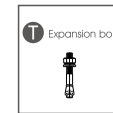
07

5- Adjust And Fasten The Frame

Measure and adjust the position another set of the posts, keep the same distance of diagonal and line as two posts, fasten with **T** expansion bolts.



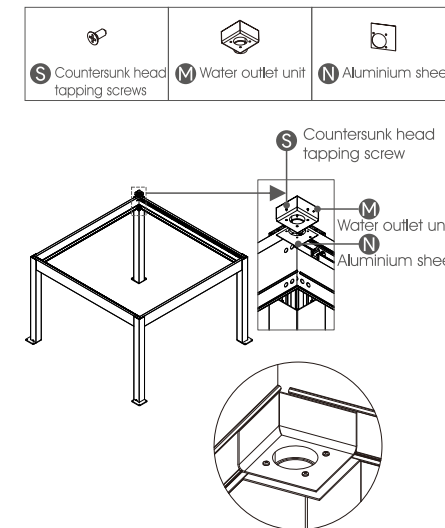
Dimension	L	W
3000*4000	2988	4028
4000*4000	3988	4028
5000*4000	4988	4028
6000*4000	5988	4028
4000*4500	3988	4528
5000*4500	4988	4528
6000*4500	5988	4528



08

6- Installation Of The Corner For The Gutter

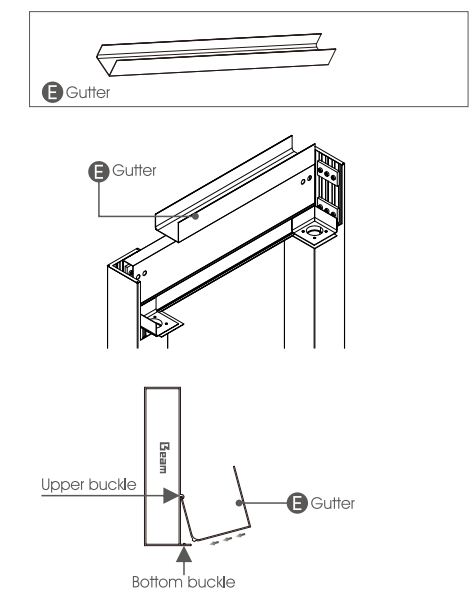
Position the holes of **S** aluminium sheet and **M** water outlet unit, and fasten with **N** countersunk head tapping screws.



09

7- Install The Gutter

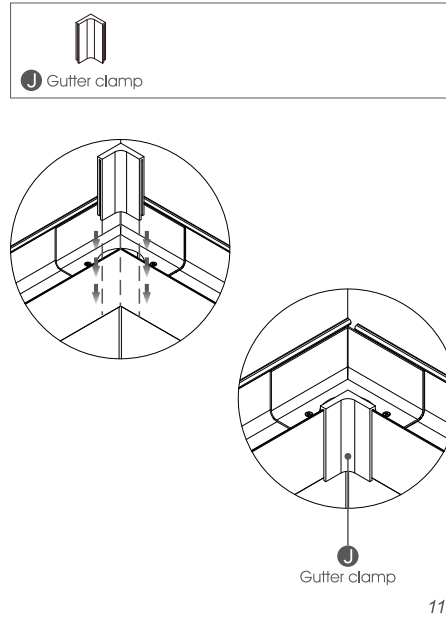
Snap the gutters e into upper buckle of the beams, then snap **E** gutter into bottom buckle of the beam. All beams and gutter assemble in the same way.



10

8- Install The Gutter Clamp

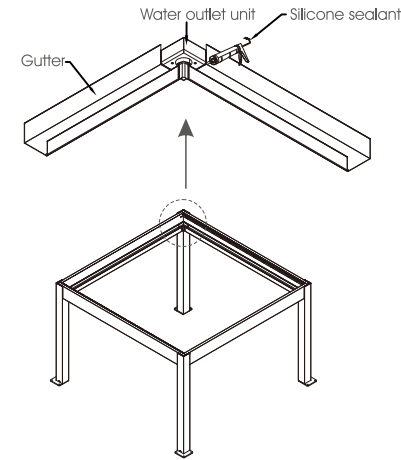
Use the **J gutter clamp** to connect the gutters and fasten by silicone sealant.



11

9- Connect The Gutter And Water Outlet

Fasten gutter and water outlet unit by silicone sealant.

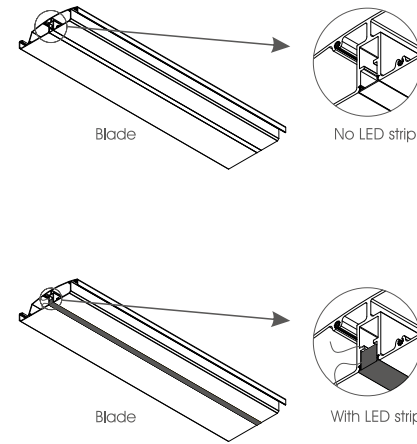


12

10- Install The louver Blades

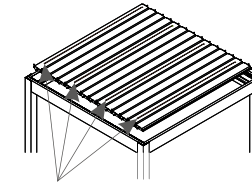
① Distinct the louver blades

There are two kind of louver blades, with and without LED strip

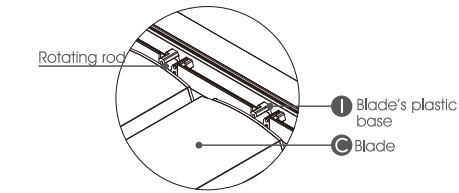


13

② Install the louver blades

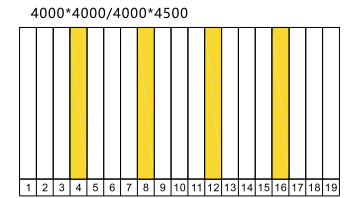
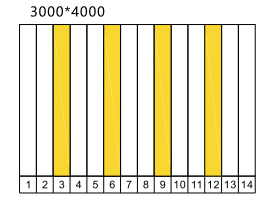


When installation, put the rotating rod of the louver **C blades** on the **① Blade's plastic base**. We suggest use one lighting louver **C blades** between every 3 no lighting louver **C blades**.



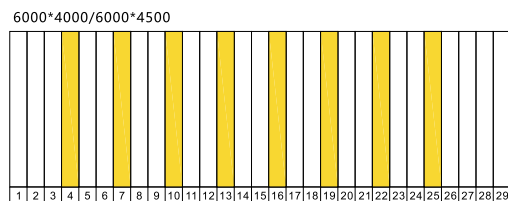
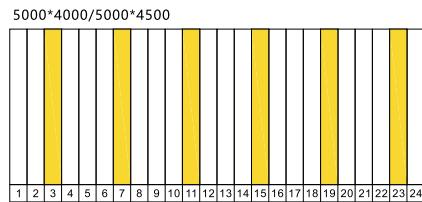
14

11-Position For Blades With LED Strip-1



15

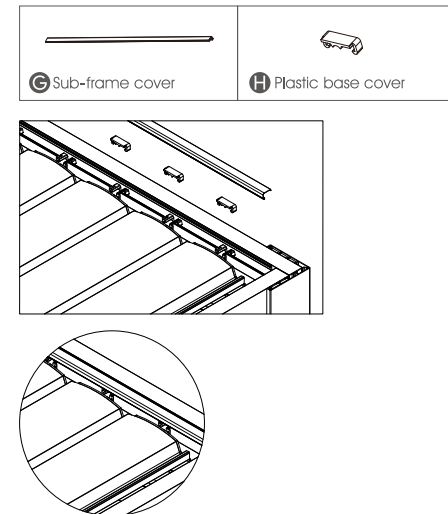
11-Position For Blades With LED Strip-2



16

12- Fixed Louver Blades Rotating Rod

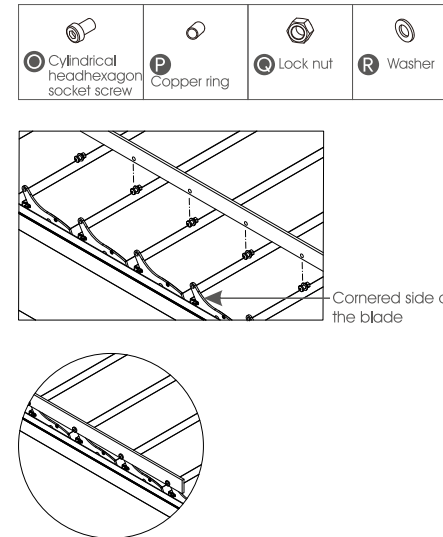
For the louver blade side that no need wiring, install the **H plastic base cover** and **C sub-frame cover**. For the louver blade side that need wiring, wiring in advance and use water proof connection to connect the LED strip, after wiring, install the **C sub-frame cover**.



17

13- Connecting Rod Installation

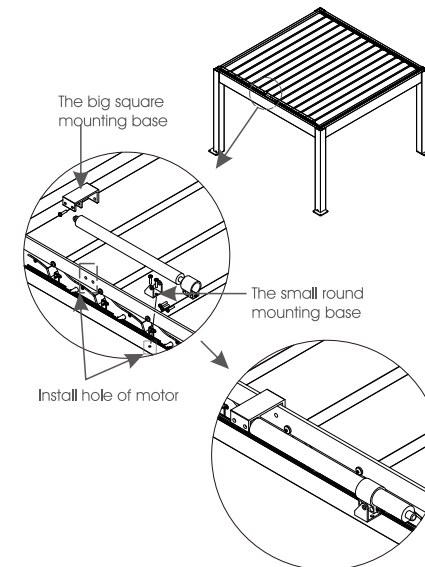
Install a connecting rod on the cornered side of the blade to drive the rotation of the overall blade.



18

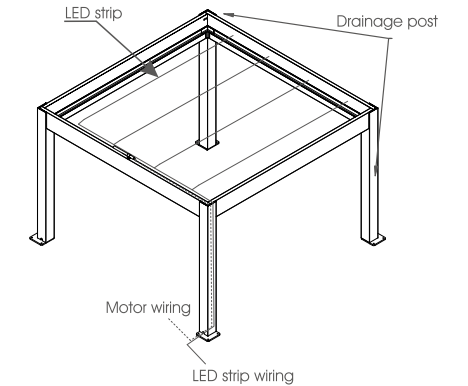
14- Install Motor

Use the small round mounting base install the motor head to the top of the beam. Use the big square mounting base install the motor tail to the connection bar. Fasten by hexagon socket screw.



19

15- Motor And LED Strip Wiring Diagram



20