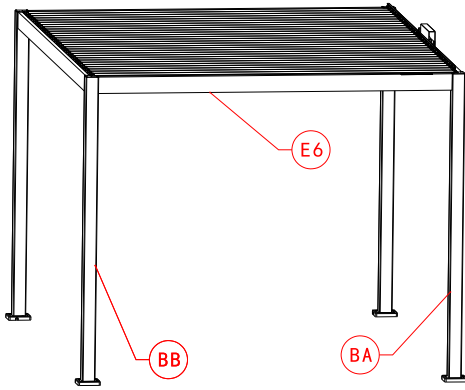


INSTALLATION DIAGRAM (E140 3*3m)

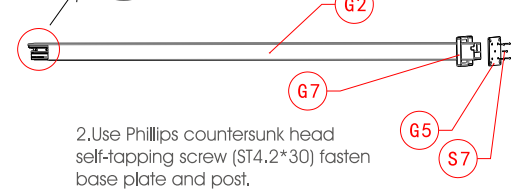
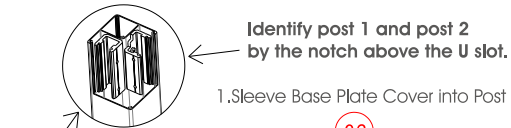
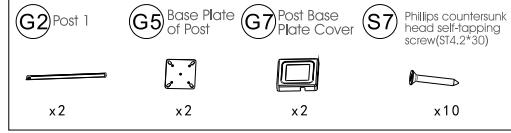


E140 3*3 LIST OF ALUMINIUM PROFILE and COMPONENTS

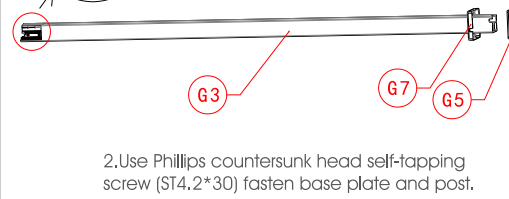
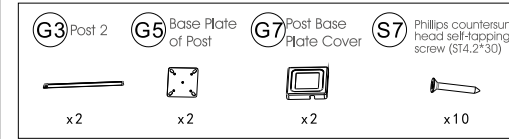
E1	Up Beam	X1	H4	Motor Base	X1
E2	Down Beam	X1	H9	Wire in post	X1
E5	Left Beam	X1	H16	Motor Cover Set	X2
E6	Right Beam	X1	H17	Cover	X1
E7	Up Beam Cover	X1	H26	LED Strip	X1
E8	Down Beam Cover	X1	S1	Expansion bolt	X16
E9	Connection Rod	X1	S5	Phillips pan head self-tapping screw (ST4.2*1.6)	x128
E10	Gutter Clamp	X4	S7	Phillips countersunk head self-tapping screw (ST4.2*30)	X20
G2	Post 1	X2	S9	Socket head pan head screw (M6*1.6)	X16
G3	Post 2	X2	S10	Socket head pan head screw (M6*20)	X2
G4	Post Decoration Cover	X4	S16	Lock Nut (M6)	X3
G5	Base Plate of Post	X4	S20	Connection Rod Screws	X22
G7	Post Base Plate Cover	X4	S27	Flat head cylindrical pin with hole (M5*30)	X1
F8	Louver Blade	X22	S28	Cotter pin (M2)	X1
H1	Mounting Base	X1	S31	Socket head pan head screw (M6*35)	X3
H2	Motor	X1			

Installation Step

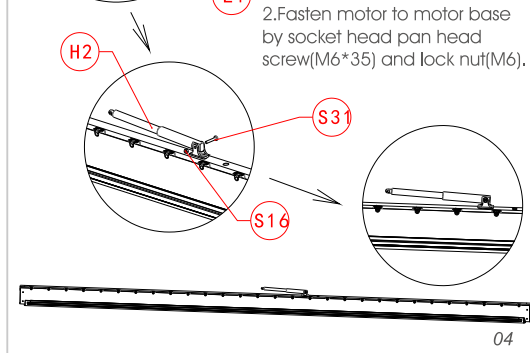
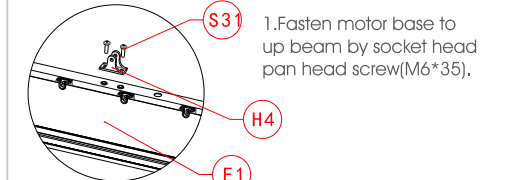
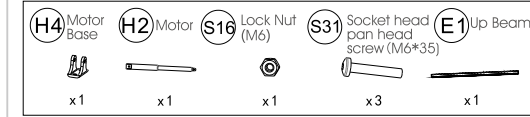
1-Assemble Post Structure (AA)



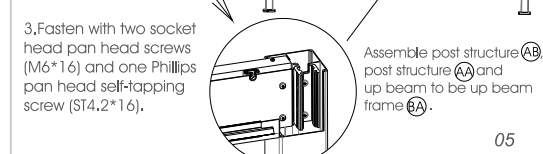
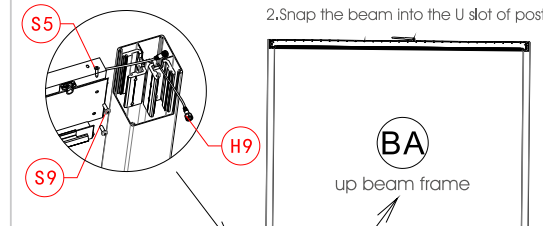
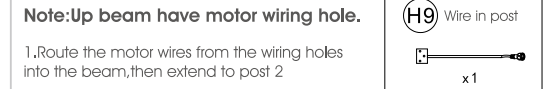
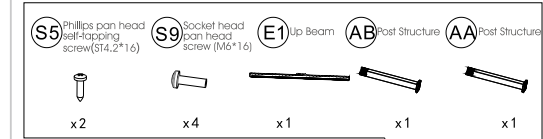
2-Assemble Post Structure (AB)



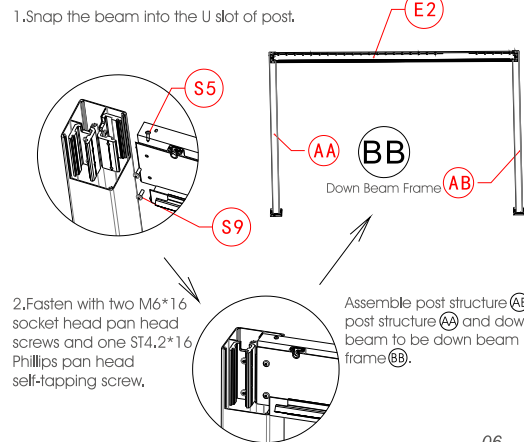
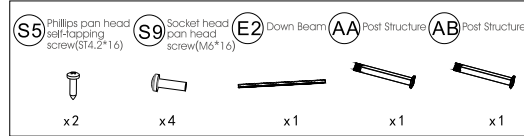
3-Install Motor



4-Assemble Up Beam Frame (BA)

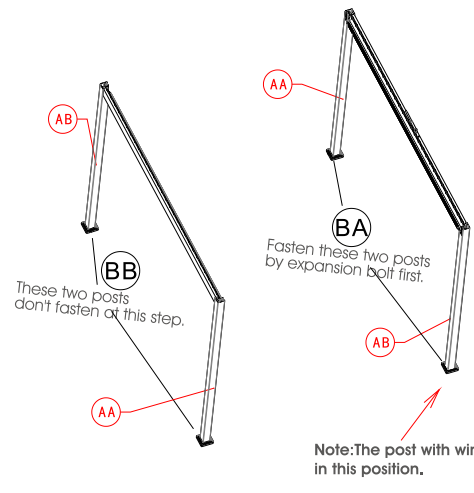
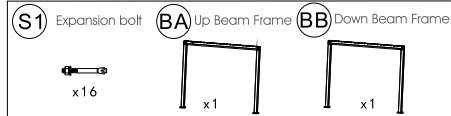


5-Assemble Down Beam Frame (BB)



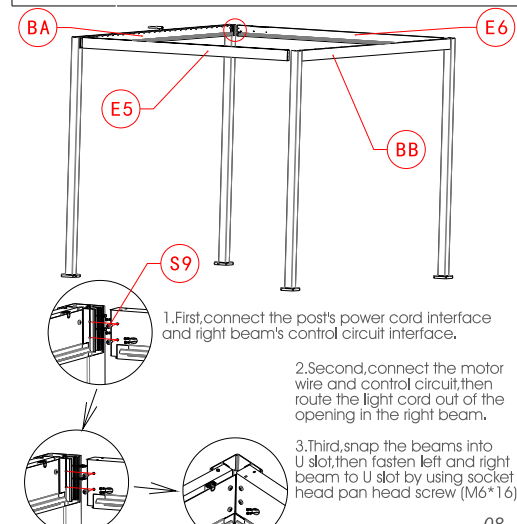
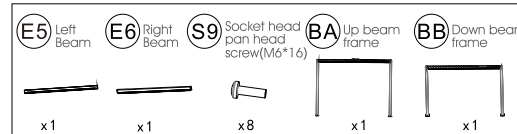
06

6-Fasten the Post



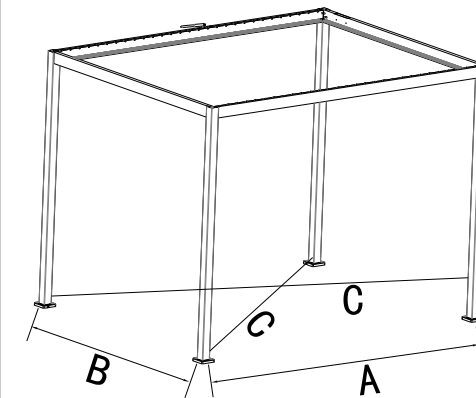
07

7-Assemble the Whole Frame



08

8-Adjust and Fasten the Frame

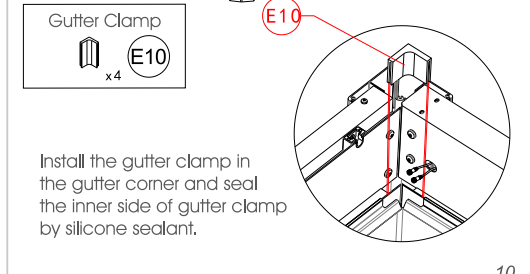
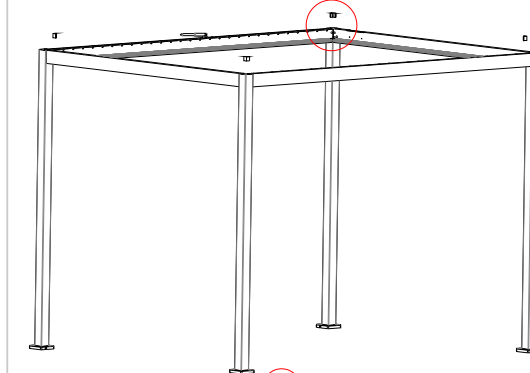


Measure the diagonal and line distance between two posts, ensure size correct, then fasten other two posts.

Install Measurement Data Sheet				
Distance	A	B	C	
Size	3010	3010	3978.1	
3x3				

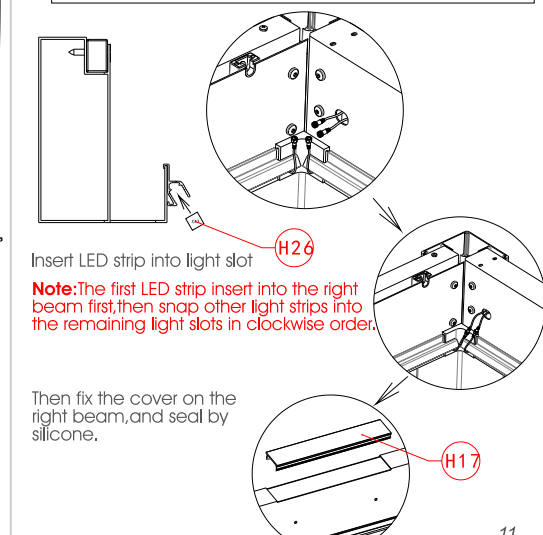
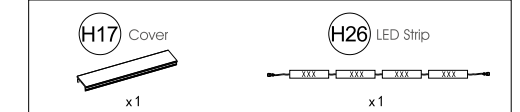
09

9-Install Gutter Clamp



10

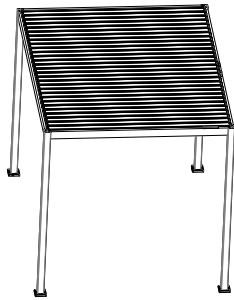
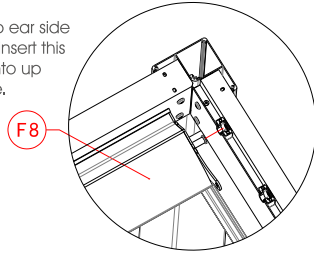
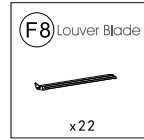
10-Install LED Strip



11

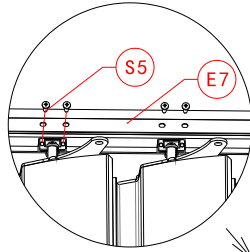
11-Install Louver Blade

Identify the end cap ear side of the louver blade, insert this side's rotating rod onto up beam's plastic base.

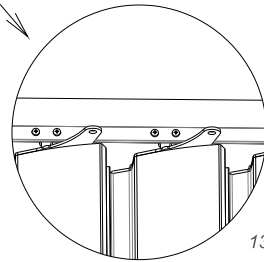


12

12-Fasten the up beam cover

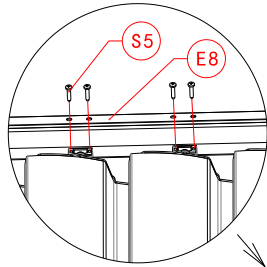


Use ST4.2*16 Phillips pan head self-tapping screw to fasten the up beam cover to the louver blade's plastic base.

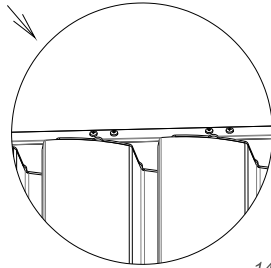


13

13-Fasten the down beam cover

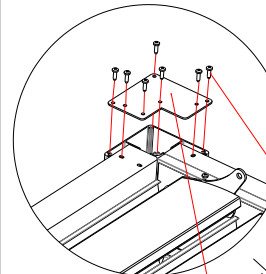


Use ST4.2*16 Phillips pan head self-tapping screw to fasten the down beam cover to the louver blade's plastic base.

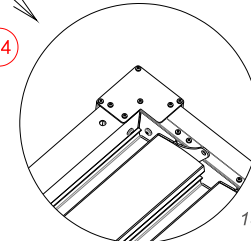


14

14-Install Post Decoration Cover

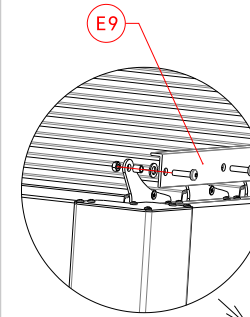
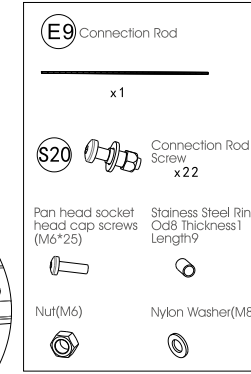


Each post decoration cover use 7 pieces Phillips pan head self-tapping screws (ST4.2*16) to fasten on post.

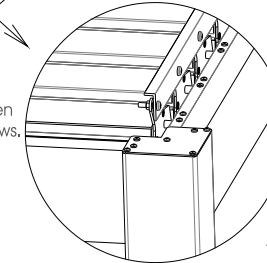


15

15- Install Connection Rod

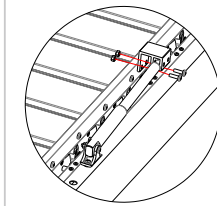
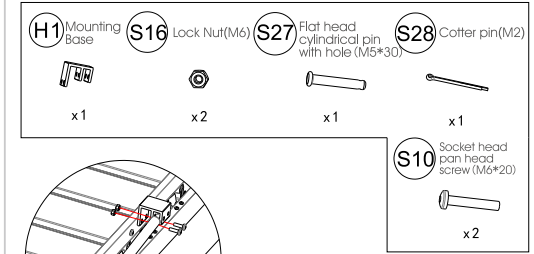


Install connection rod on the hand crank side, fasten with connection rod screws.

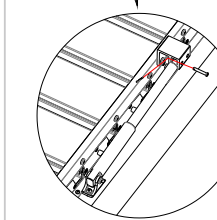


16

16- Connect Motor and Connection Rod



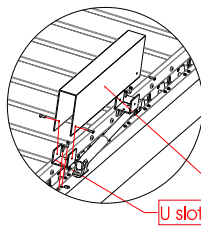
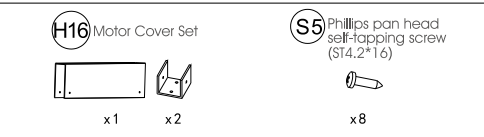
1. Fasten mounting base and connection rod by using socket head pan head screw (M6*20) and lock nut (M6).



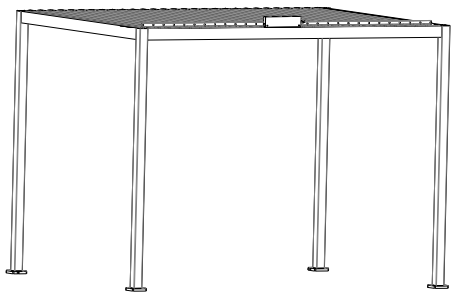
2. Fasten motor and mounting base by using flat head cylindrical pin with hole (M5*30) and Cotter pin (M2).

17

17-Install Motor Cover Set



1. Fasten the U slot to up beam by using phillips pan head self-tapping screw (ST4.2*16).
2. Then fasten motor cover and U slot by using phillips pan head self-tapping screw (ST4.2*16).



18