

Product Series: DHC51A Current Transformer

Feature :

1. Permalloy core
2. High precision, good linearity ;
3. Epoxy potting , Safe and reliable
4. Flame retardant (UL94- V0),
5. Environmental protection(EU RoHS).
6. Small, Compact Design
7. Easy to assemble and weld

Guideline:

National standard gb 1208-2006 ;
 Industry Standard jbt 10665-2006.

Use Temperature : -25°C-+85°C

Relative humidity : ≤95%

Scope of application :

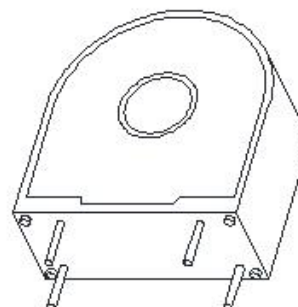
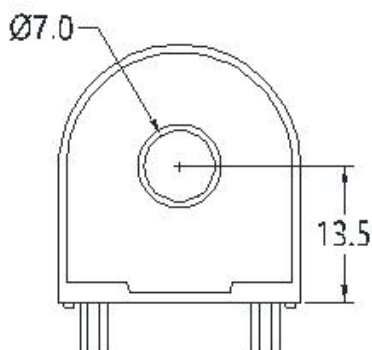
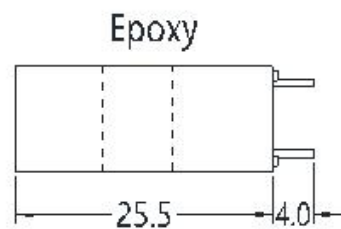
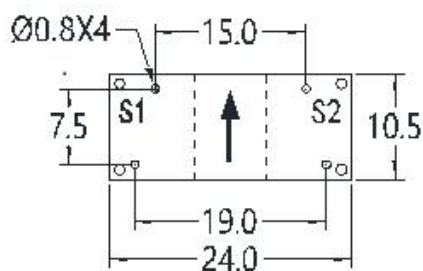
Suitable for instrumentation, etc., need to convert large current into small current for precise measurement,
 Used for precision measurement or as electrical safety protection.

Notes :

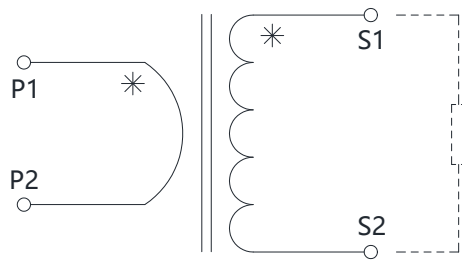
If the load connected to the secondary of the transformer exceeds the rated load capacity, it may result in reduced accuracy or saturation. If you need to increase the load capacity and we can provide customized.



Size:



Circuit schematic:



Note: This schematic diagram is the basic working principle of the transformer. We can design the transformer sampling circuit for the customer.

Technical Parameter :

No	Project	Performance					
1	Model	DHC51ABA	DHC51AB0	DHC51AB2	DHC51AB3	DHC51AD2	DHC51AD3
2	Rated input current	10A	25A	20A	30A	20A	30A
3	Rated output current	4mA	10mA	10mA	15mA	20mA	30mA
4	Allow overload multiple	2 Times	1.2 Times				
5	Ratio	2500:1		2000:1		1000:1	
6	Ratio difference	≤0.1%				≤0.2%	
7	Phase difference	≤5'				≤10'	
8	Accuracy level	0.1				0.2	
9	Linear range	0 ~ 200%	0 ~ 120%				
10	Linearity	≤0.1%					
11	Load Resistance	50Ω		20Ω			
12	isolation withstand voltage	3kV/2mA/1min					
13	frequency range	20 ~ 20kHz(Test frequency: 50Hz)					
14	Working Temperature	-25 ~ 85℃					
15	Storage Temperature	-40 ~ 90℃					
16	Relative humidity	≤95%					

Note: If there is no product suitable for your use in the above table, we can tailor the product according to your technical and structural requirements.