



# METAL CEILING



**PRANCE**<sup>®</sup>

PRANCE METALWORK BUILDING MATERIAL CO.,LTD

No 169, South Area, Base of Electrical and Electronic Industry (National Touch Program),  
BaiNi Town, SanShui Area, Foshan City, Guangdong Province

Office Add: 3F, 1st Building, No.11 Gangkou Rd, Chancheng, Foshan, Guangdong, China

Tel: +86-757-83138155

Fax: +86-757-83139722

Web: [www.prancebuilding.com](http://www.prancebuilding.com)

E-Mail: [info@prancebuilding.com](mailto:info@prancebuilding.com)



- Clip in ceiling
- Lay in ceiling
- Strip ceiling
- Open cell ceiling
- Blade ceiling
- Tube ceiling





# CONTENTS

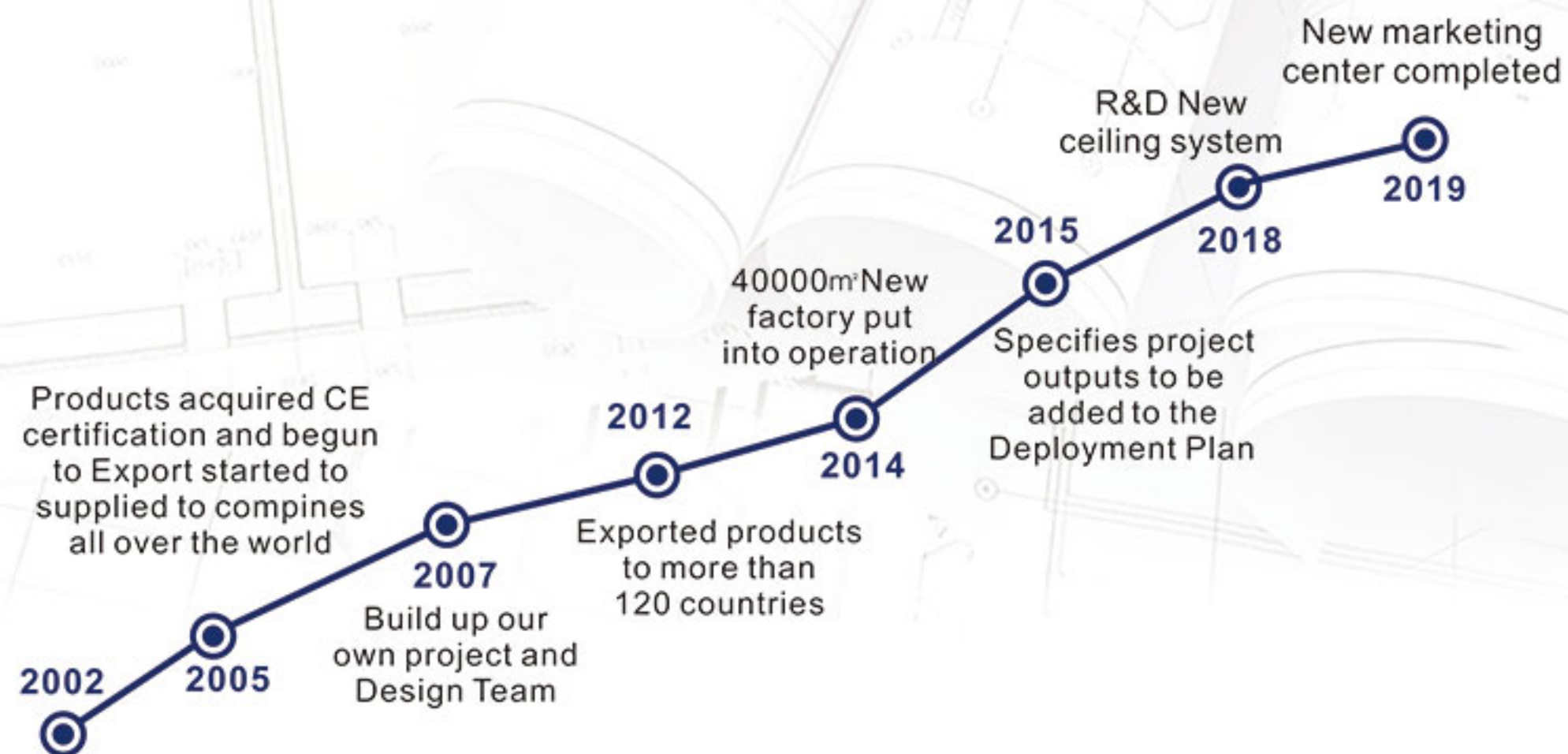
COMPANY PROFILE .....	P01
CLIP IN CEILING .....	P04
LAY IN CEILING .....	P07
STRIP CEILING .....	P10
OPEN CELL CEILING .....	P14
BLADE CEILING .....	P17
ROUND TUBE CEILING .....	P20
SQUARE TUBE CEILING .....	P23
PROJECT CEILING .....	P26
CERTIFICATE .....	P29





# ABOUT PRANCE®

PRANCE® is specialized in the production and marketing of building material for 17 years.



PRANCE®  
Established

PRANCE® has a complete and scientific management system on product quality control to enforce the ISO9001-2000 standard. As products meet the EN CE certification, our products have got the recognition and support from our customers from China and internation.

## Factory Data

Established	Congo	2002
Project Area	Europe, Middle East, Aisa, Australia	
Capacity	Design, Products, Installation	
Factory Area	40000m²	

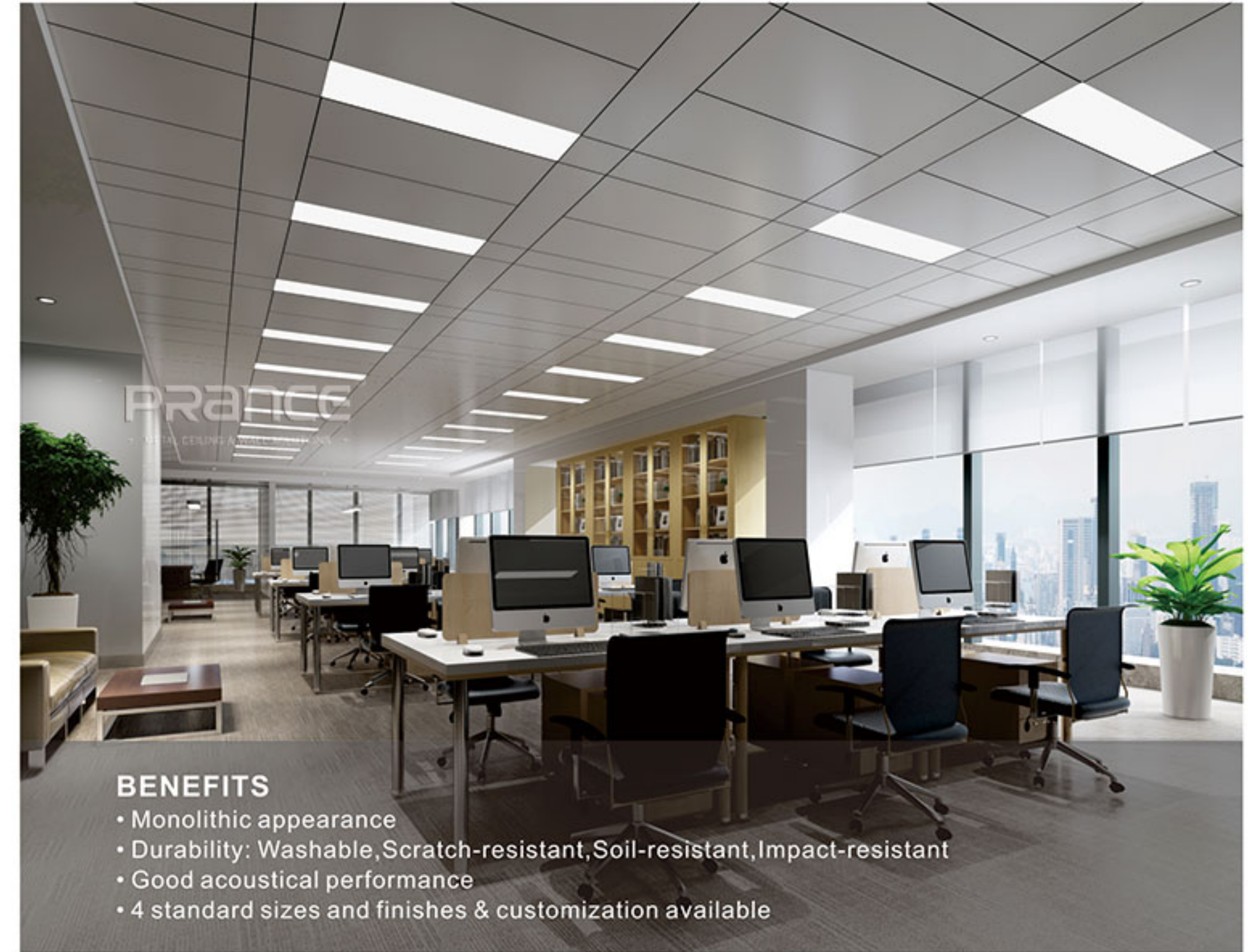
We have our own research and development and design team

## MANUFACTURE CENTER





**CLIP IN CEILING**



**BENEFITS**

- Monolithic appearance
- Durability: Washable, Scratch-resistant, Soil-resistant, Impact-resistant
- Good acoustical performance
- 4 standard sizes and finishes & customization available

**// Application**

Hospital Office Library Station







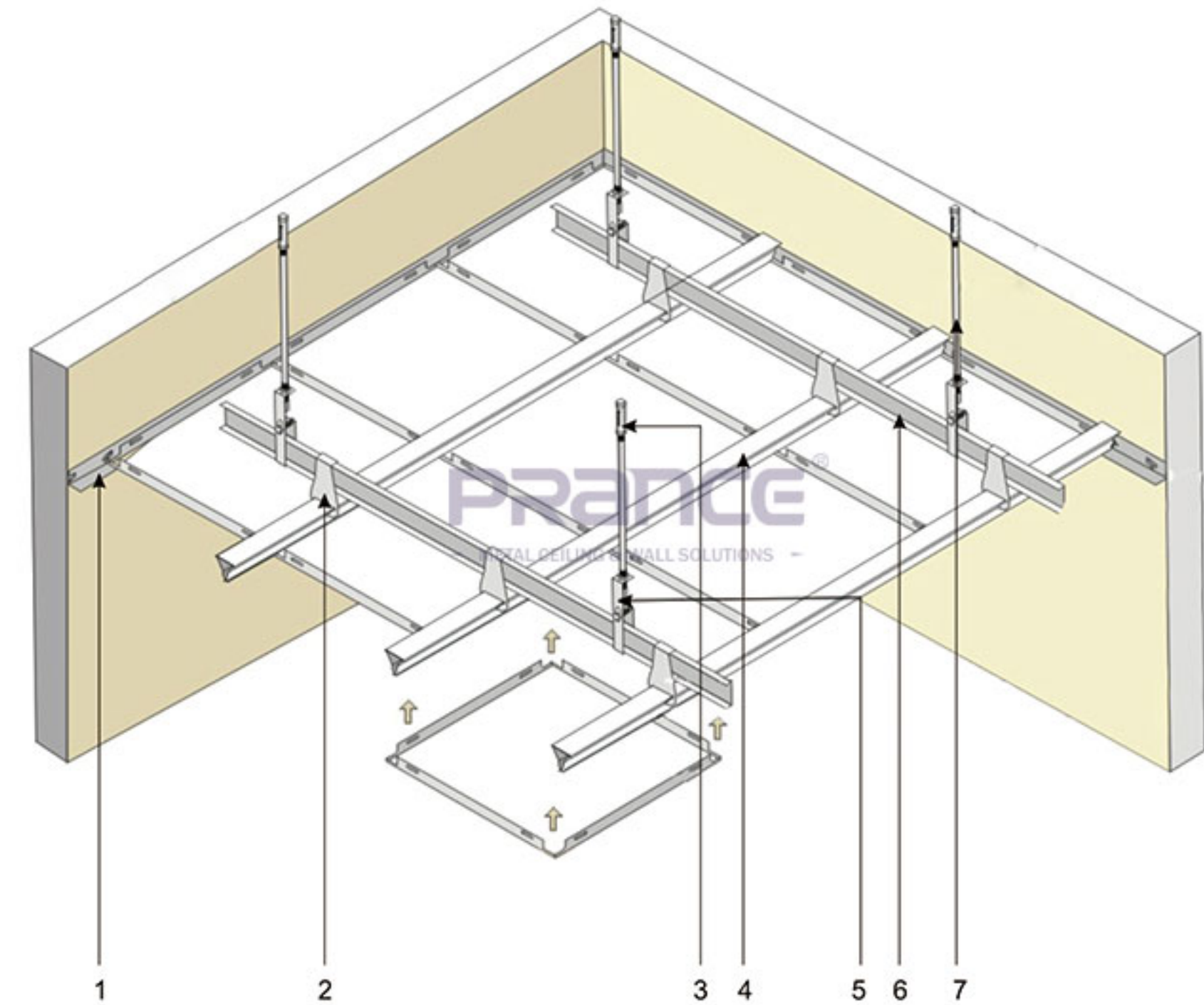
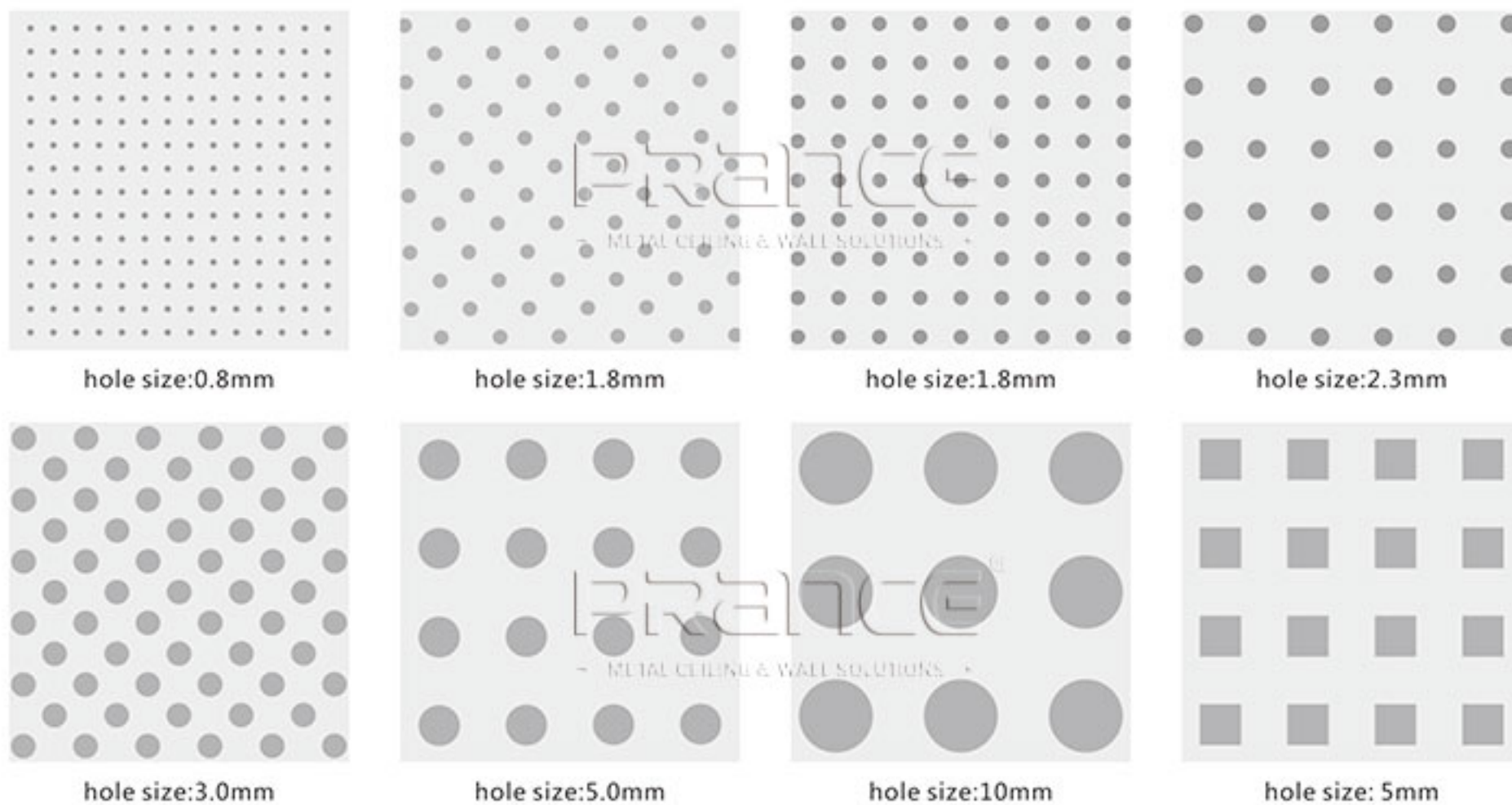
**STANDARD COLOURS**

- RAL 9003 Pure white
- RAL 9010 Cream white
- RAL 9016 White
- RAL 9006 White aluminum
- RAL 9007 Grey aluminum

**Specification(mm)**

Specification	Perforated	Powder coated	Pre-painted	Straight edge	Bevel edge	Edge hight
300X300	•	•	•	•	•	20
300X600	•	•	•	•	•	20
300X1200	•	•	•	•	•	20
400X400	•	•	•	•	•	20
500X500	•	•	•	•	•	20
600X600	•	•	•	•	•	20/24/28/30
600X1200	•	•	•	•	•	20/24/28/30
800X800	•	•	•	•	•	24

**Perforation size**



- 1 L angle
- 2 Hanger of spring tee
- 3 Expansion screw
- 4 Spring tee
- 5 Hanger of 38main channel
- 6 38main channel
- 7 Thread rod

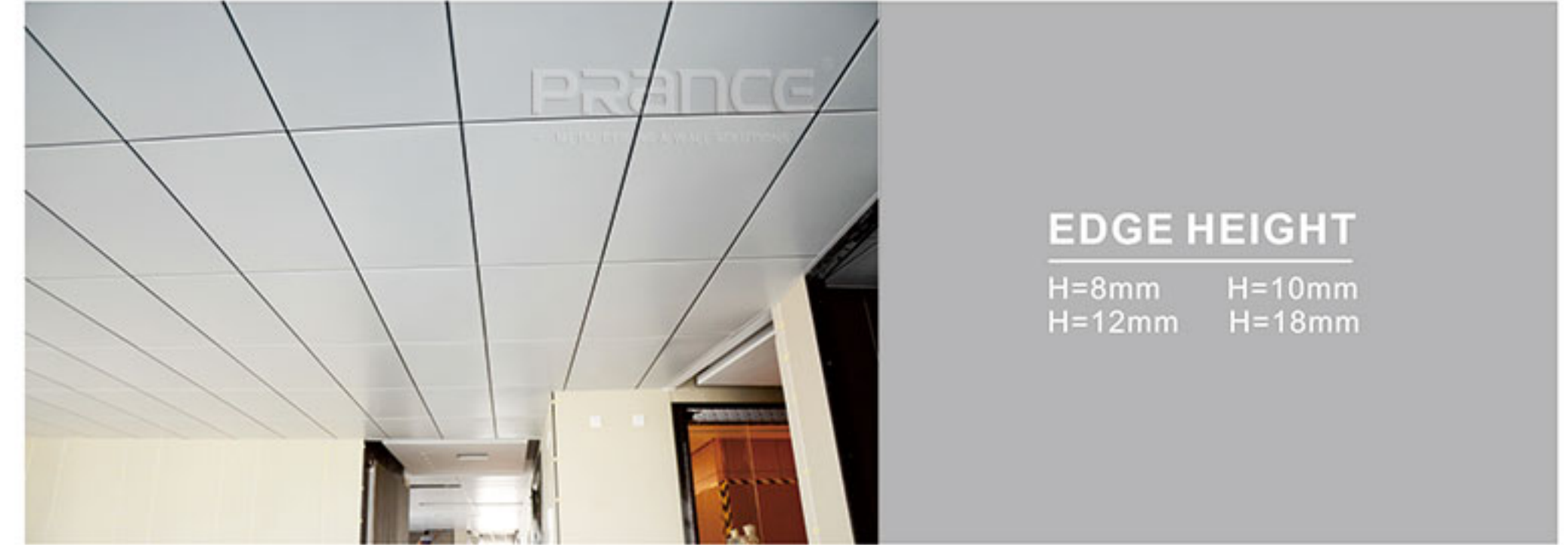
- Offers superior wash resistance without compromising panel finish
- Excellent resistance to dirt and/or grease; for lasting and performance.
- Impact Resistance Excellent resistance to surface impact as per Falling Ball Test
- Withstands up to 150 scrub cycles
- minimizes panel damage
- Color options



**LAY IN CEILING**



**Application:**  
Hospital / Office / Library / Station



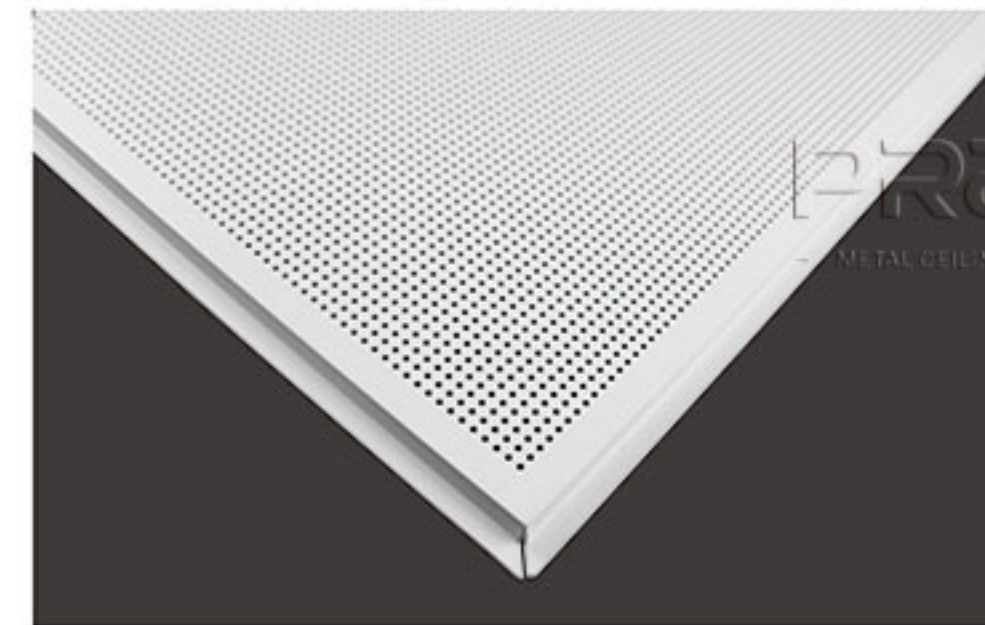
**EDGE HEIGHT**  
H=8mm    H=10mm  
H=12mm    H=18mm

**Lay in ceiling** Unit:mm

Metric size	Inch size
595x595x575x575x8H(12H/18H)	605x605x585x585x10H
595x595x585x585x10H	585x585x575x575x8H
595x1195x575x1175x8H	603x1210x585x1195x10H
295x295x275x275x8H	

**Lay on ceiling** Unit:mm

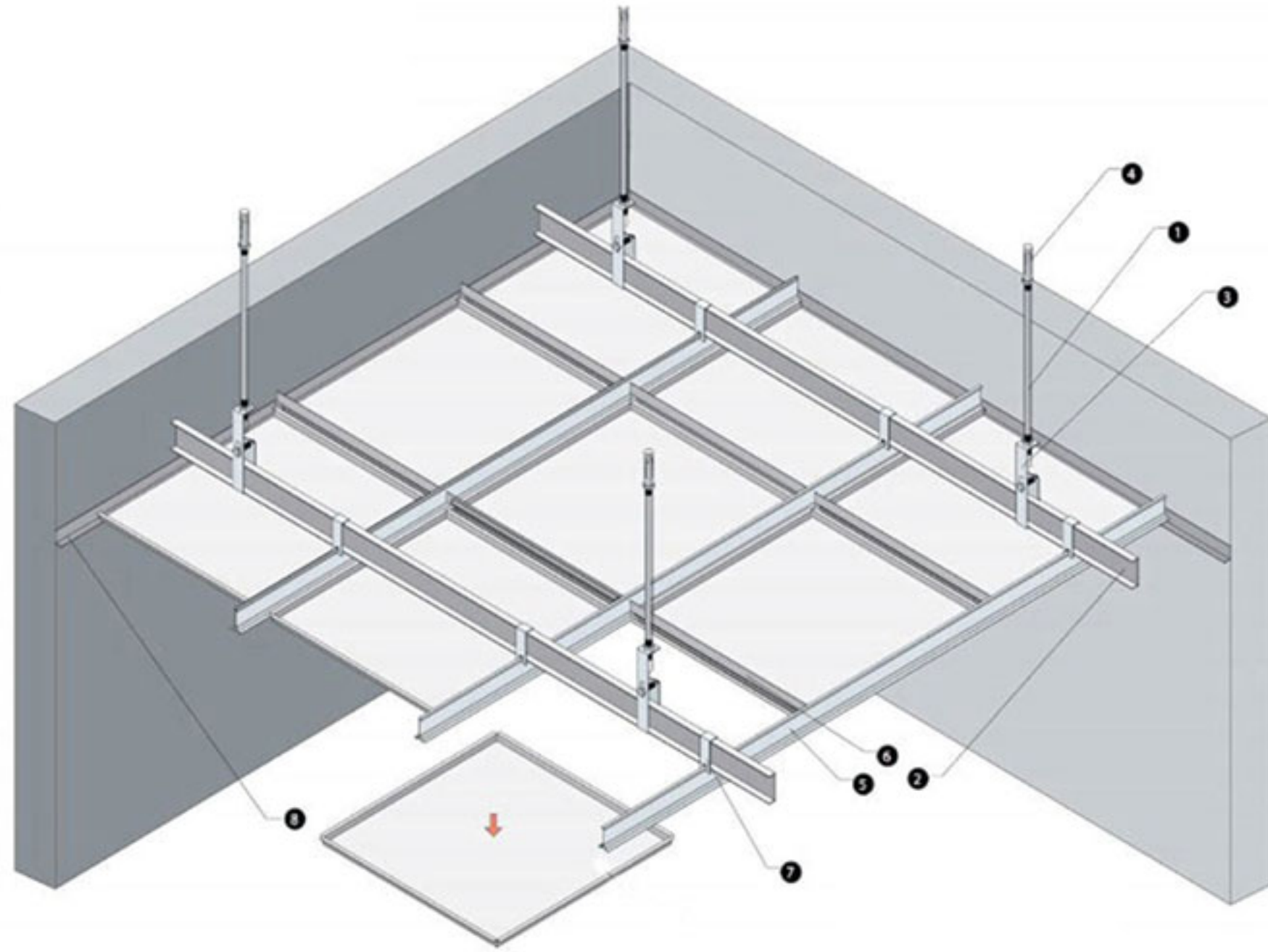
595x595x18H	603x603x18H	292x292x10H
-------------	-------------	-------------





Installation

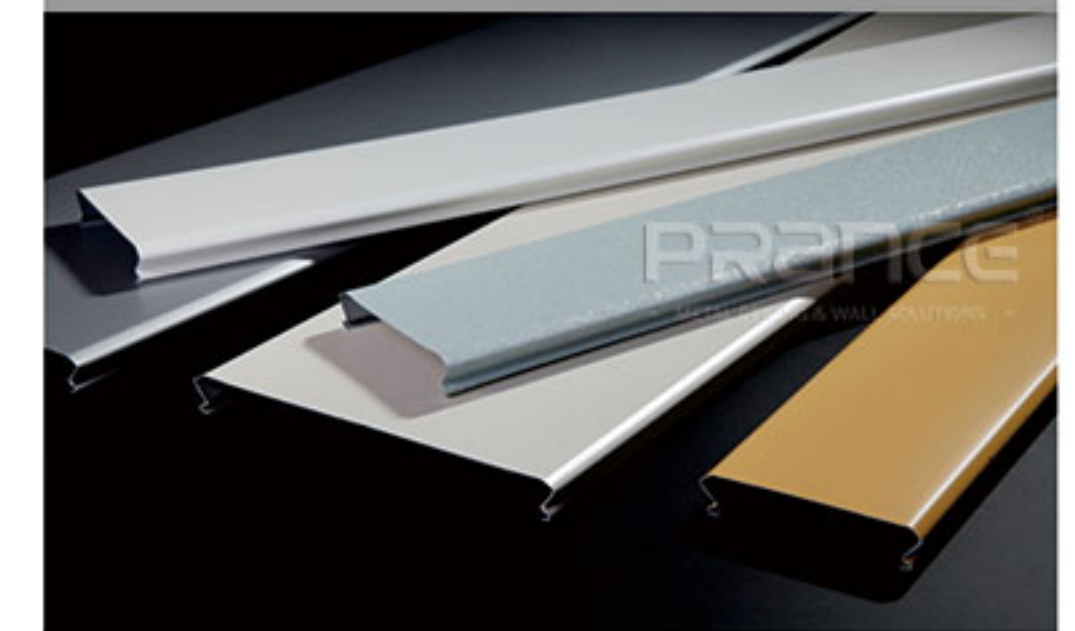
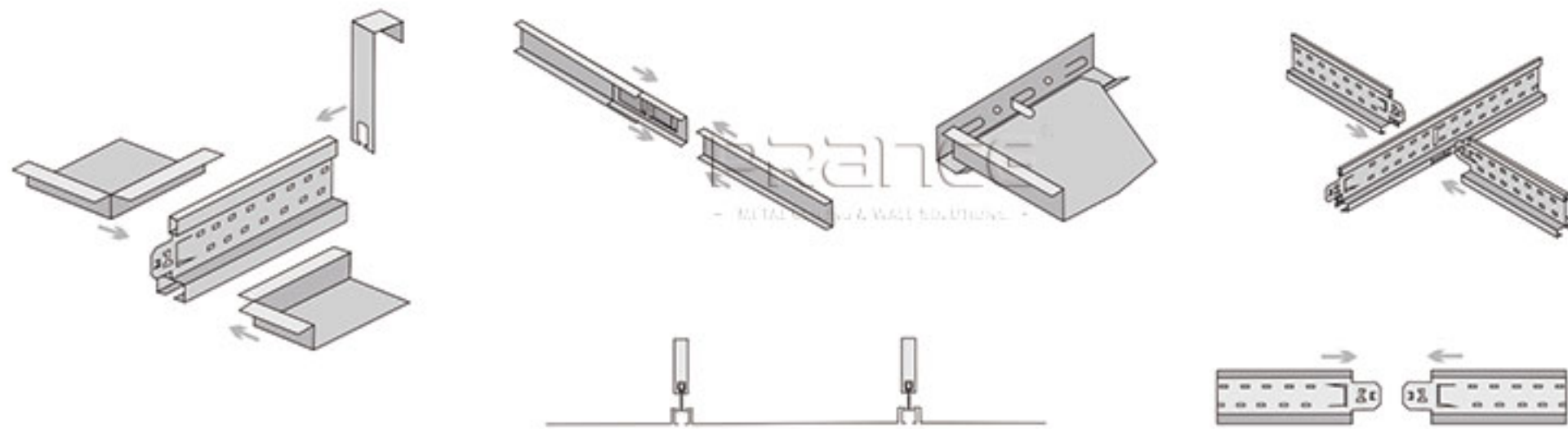
**STRIP CEILING**



- |                                   |                                |
|-----------------------------------|--------------------------------|
| <b>1</b> Thread rod               | <b>5</b> T-type main keel      |
| <b>2</b> 38main channel           | <b>6</b> T-Vice keel           |
| <b>3</b> Hanger of 38main channel | <b>7</b> T keel hanging pieces |
| <b>4</b> Expansion screw          | <b>8</b> L angle               |



**Application:**  
Airport / Hospital / Museum  
Gas station / Metro station





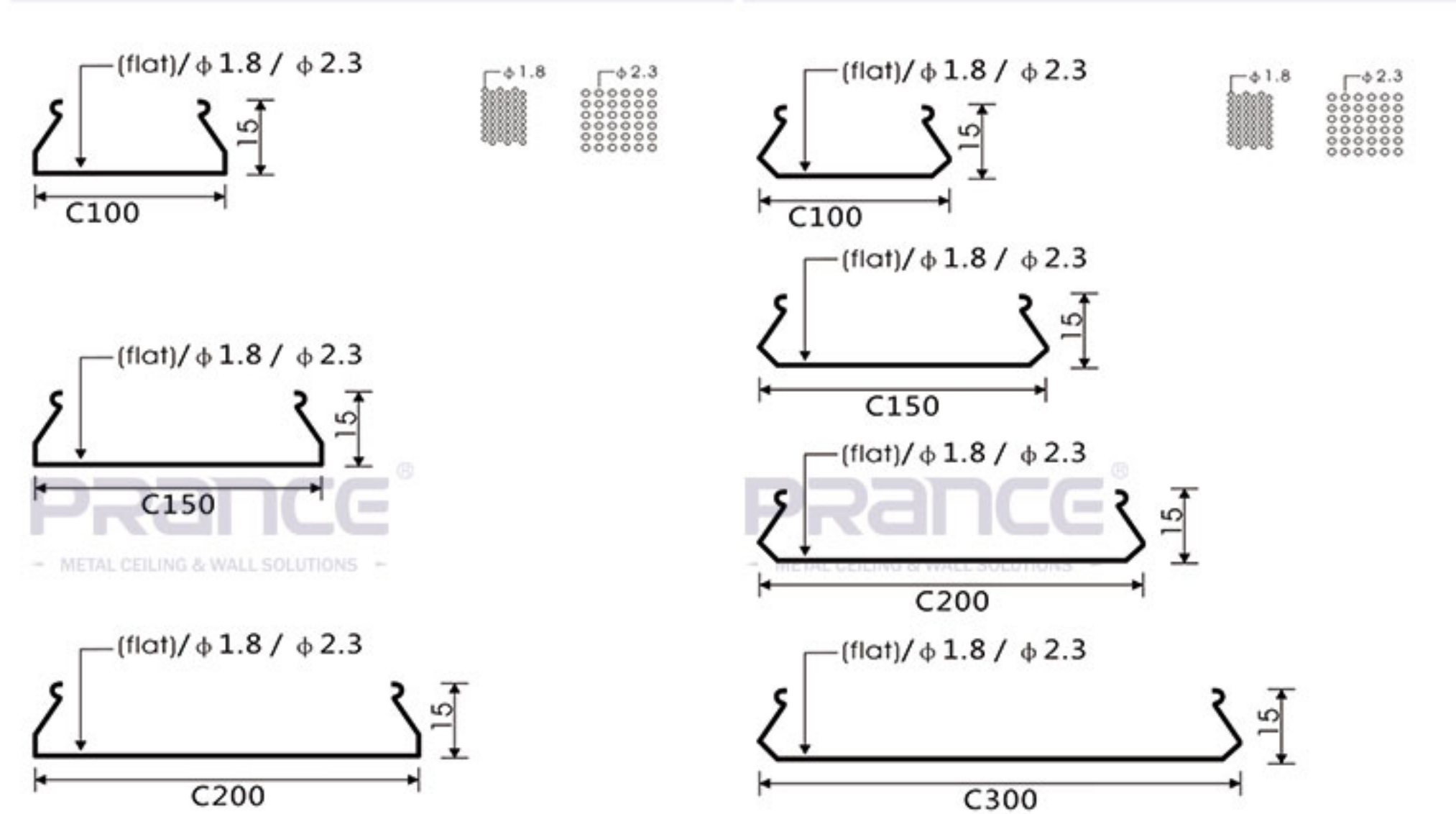


**STRIP CEILING STYLE**

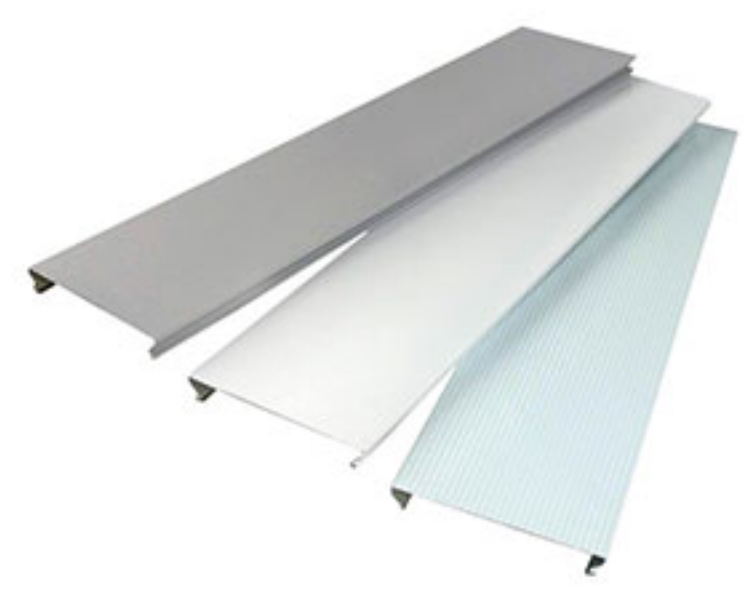
- C-Strip Ceiling
- S-Strip Ceiling
- H-Strip Ceiling

**C-Strip Ceiling**

L Angle	Beveled Angle
---------	---------------



Thickness:0.6-0.9mm  
Length:0-6000mm

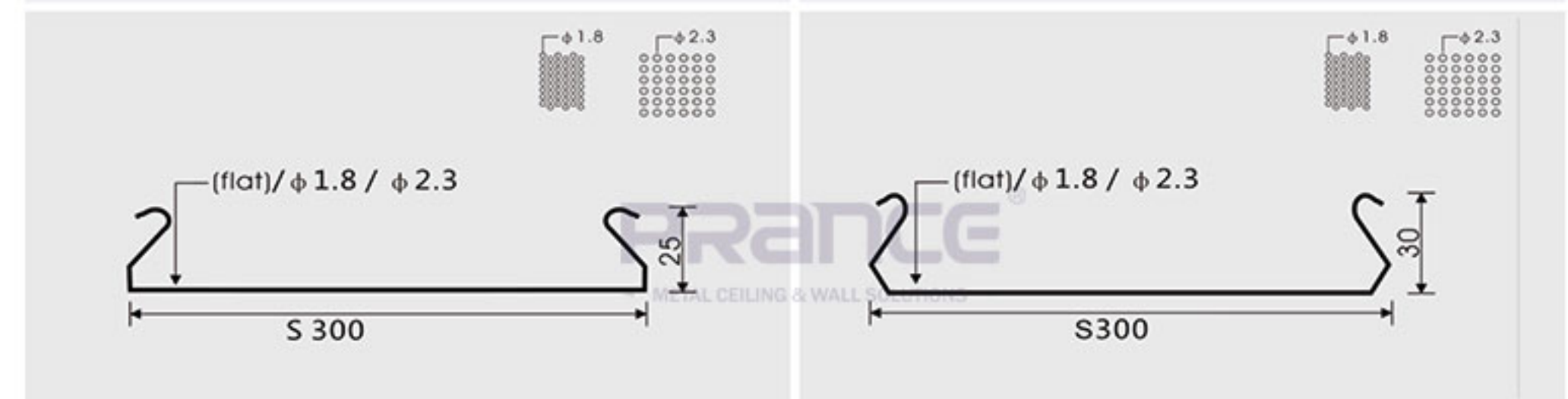


**STRIP CEILING STYLE**

- C-Strip Ceiling
- S-Strip Ceiling
- H-Strip Ceiling

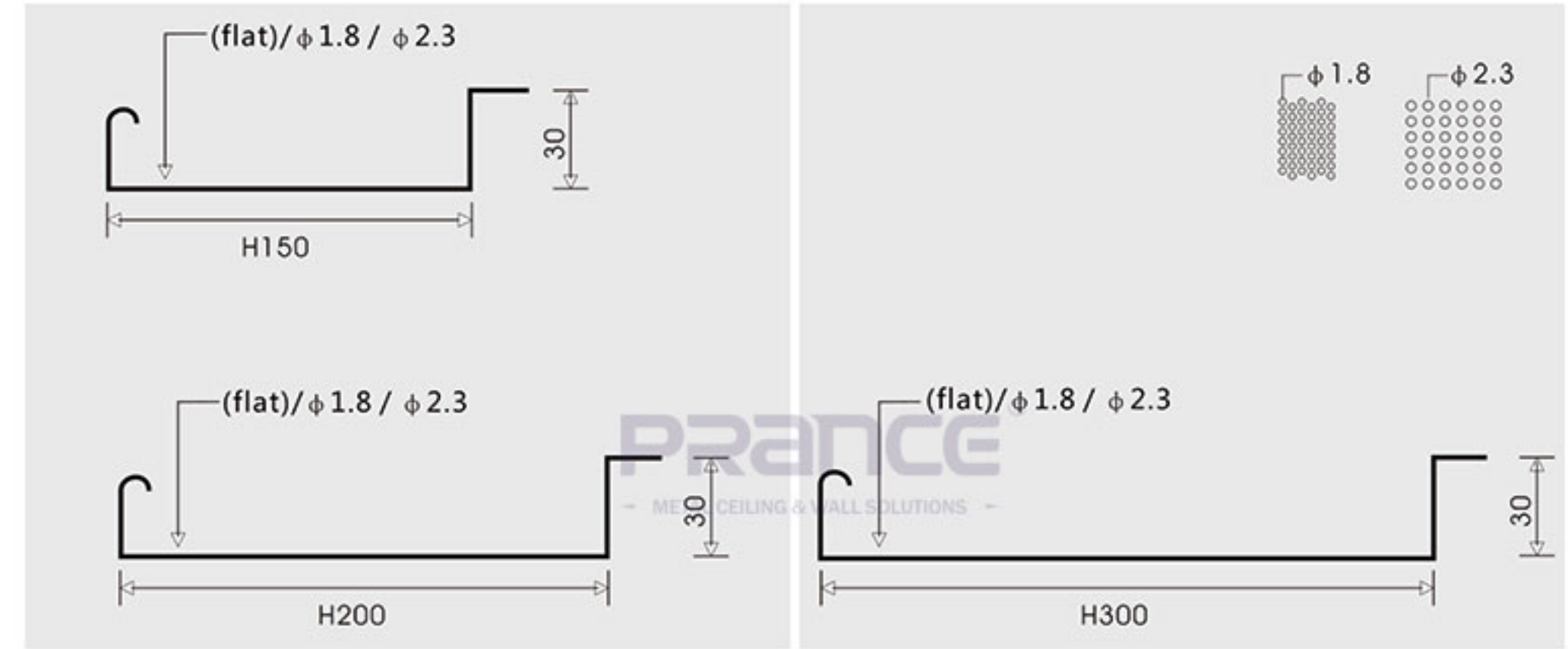
**S-Strip Ceiling**

L Angle	Beveled Angle
---------	---------------



**H-Strip Ceiling**

L Angle	Beveled Angle
---------	---------------

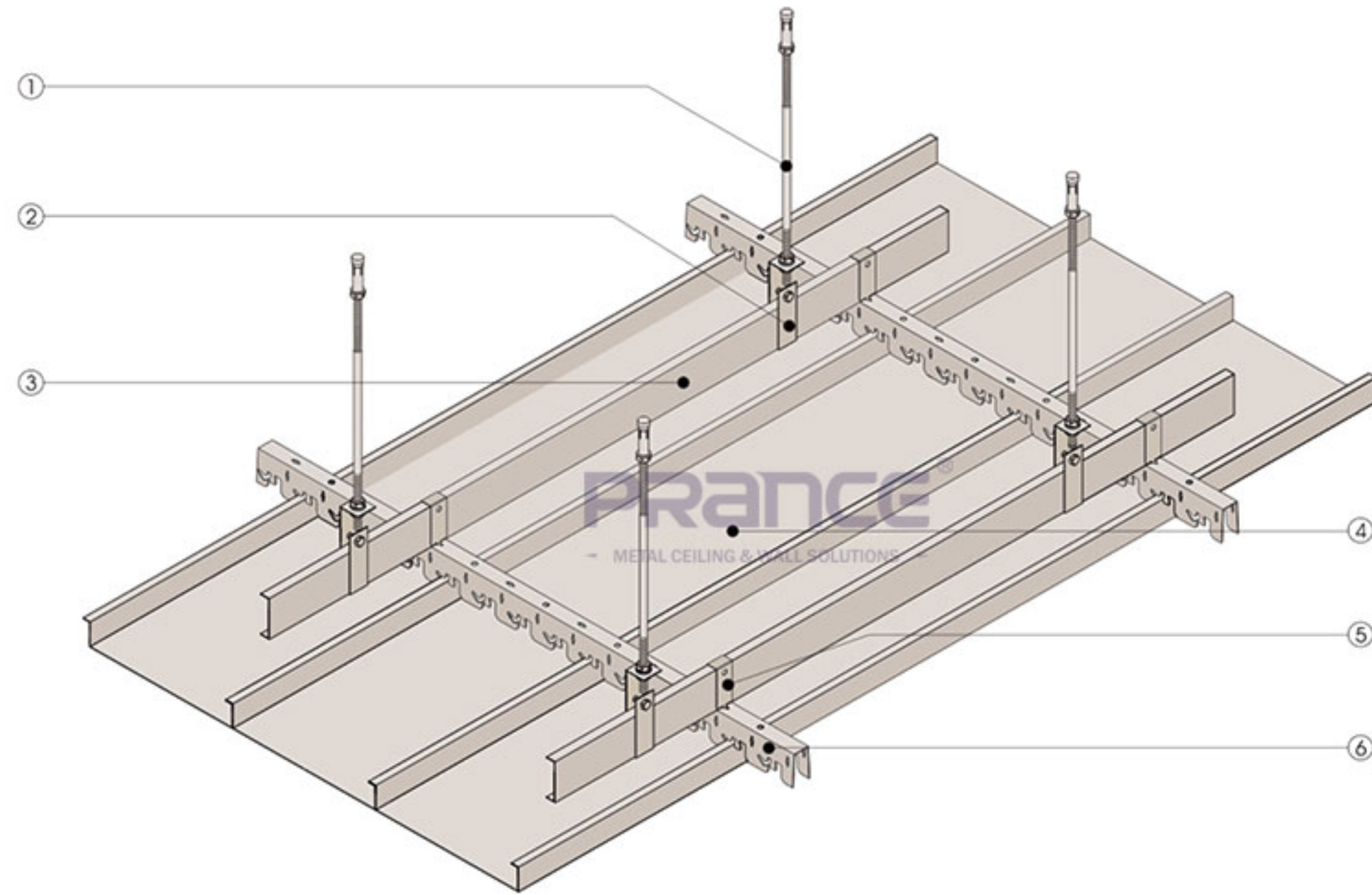


Thickness:0.6-0.9mm      Length:0-6000mm



Installation

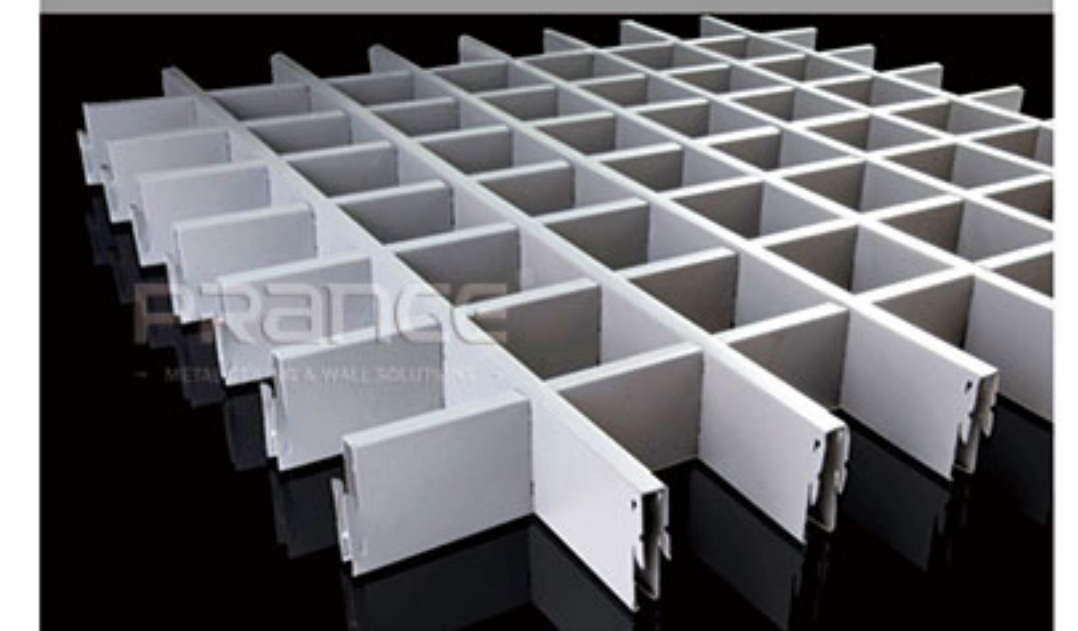
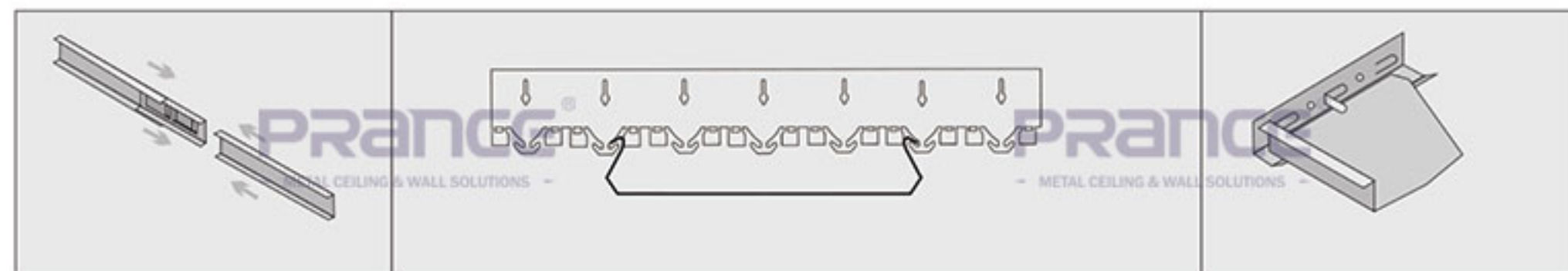
**OPEN CELL CEILING**



- 1 Thread rod
- 2 Hanger of main channel
- 3 Main channel
- 4 H-strip panel
- 5 Hanger
- 6 Carrier



**Application:**  
Hotel / Plaza / Airport  
Metro Station / Shopping Mall







**STANDARD COLOURS**

- RAL 9003 Pure white
- RAL 9010 Cream white
- RAL 9016 White
- RAL 9006 White aluminum
- RAL 9007 Grey aluminum

**Open cell ceiling specification** Unit:mm

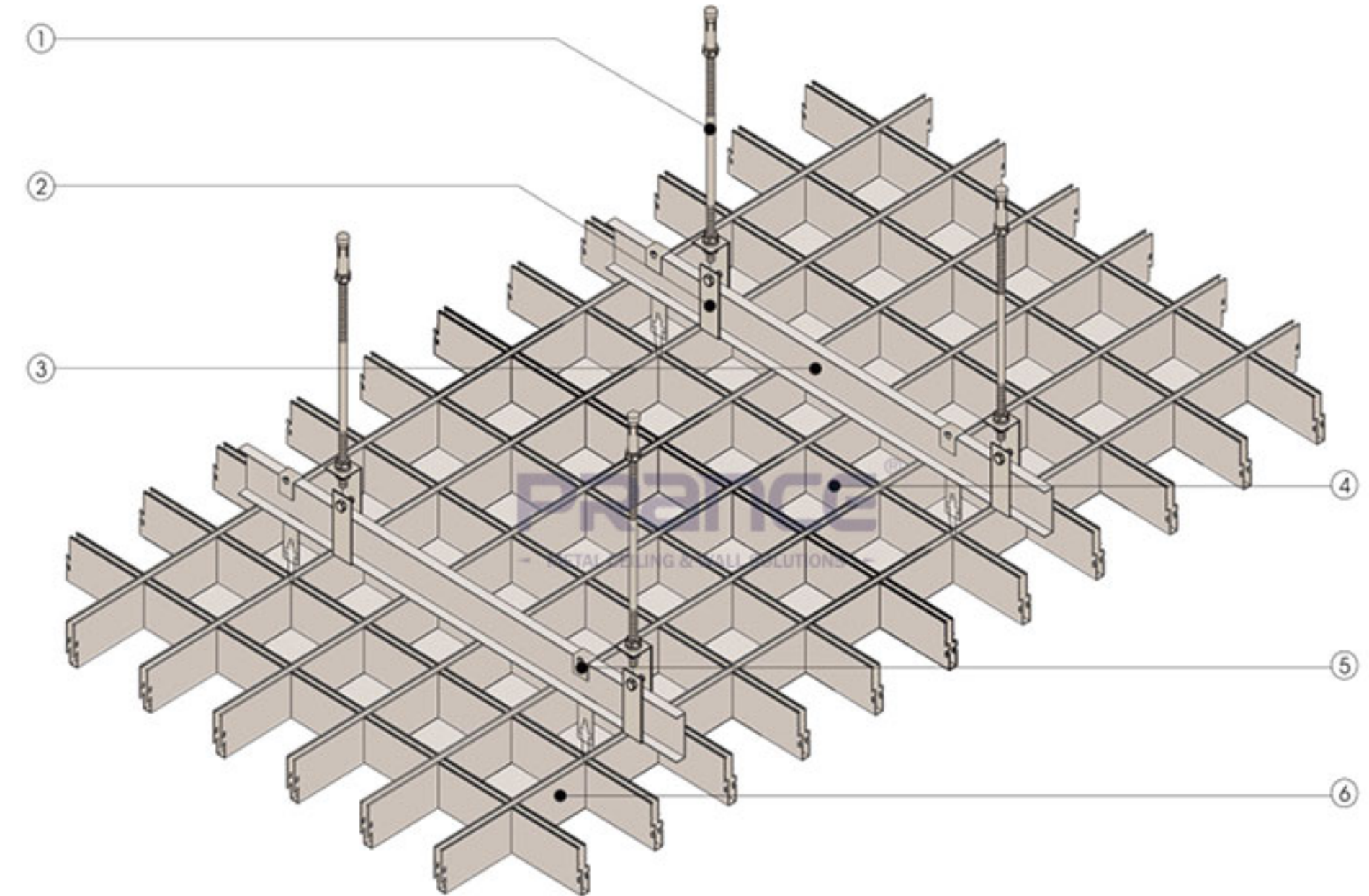
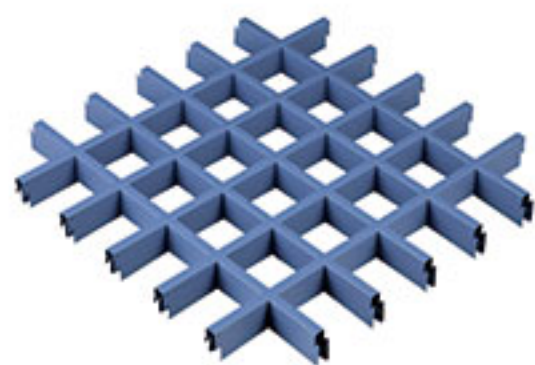
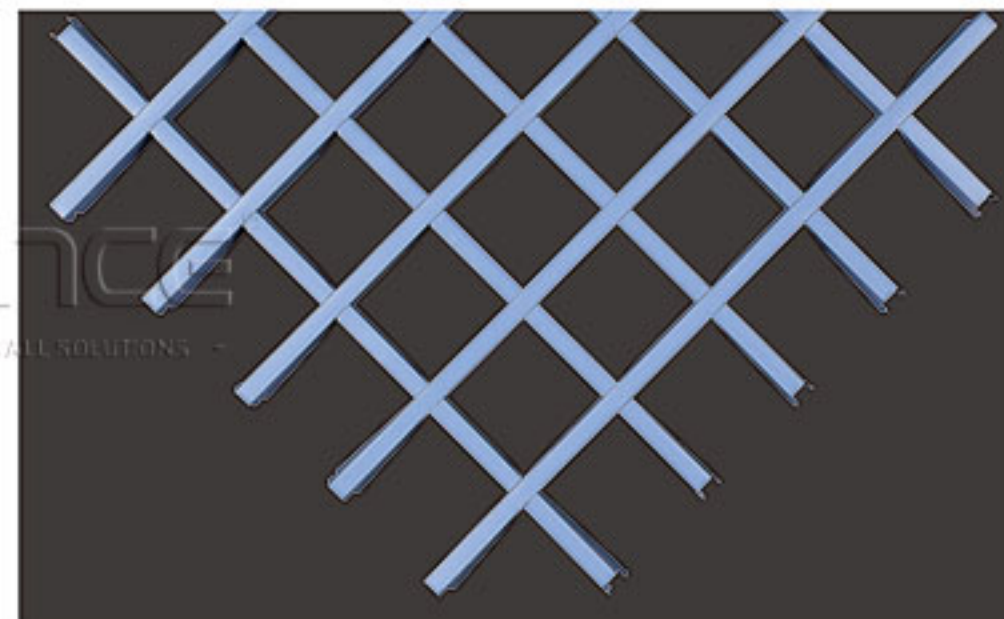
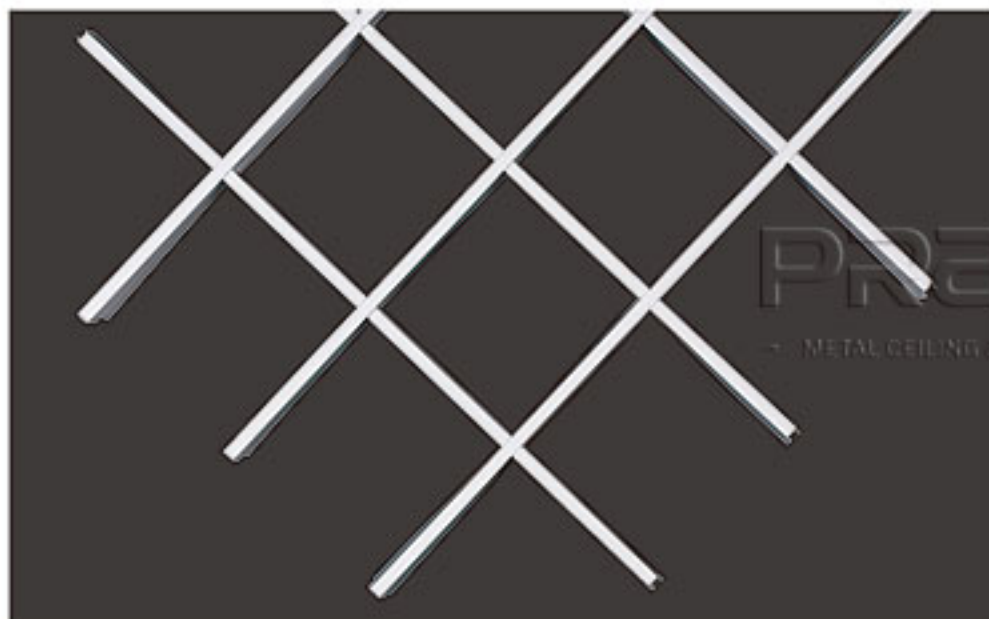
Height	35	40	45	50	60	80
Width	10	10	10	10/15	15	15
Thickness	0.45-0.6	0.45-0.6	0.5-0.65	0.5-0.65	0.5-0.65	0.5-0.65

**Square open cell specification** Unit:mm

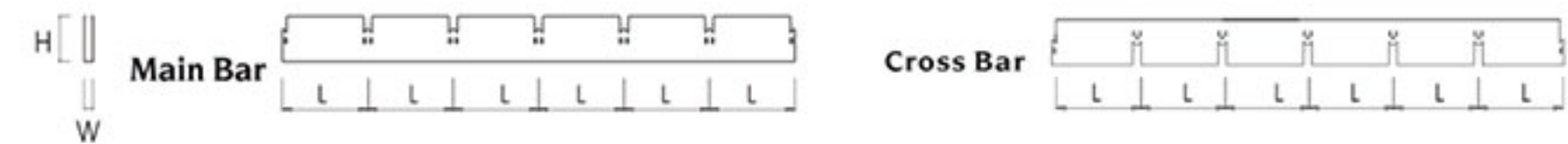
50x50	75x75	100x100	125x125
150x150	200x200	250x250	300x300

**Rectangle open cell specification** Unit:mm

50x100	50x150	100x200
--------	--------	---------

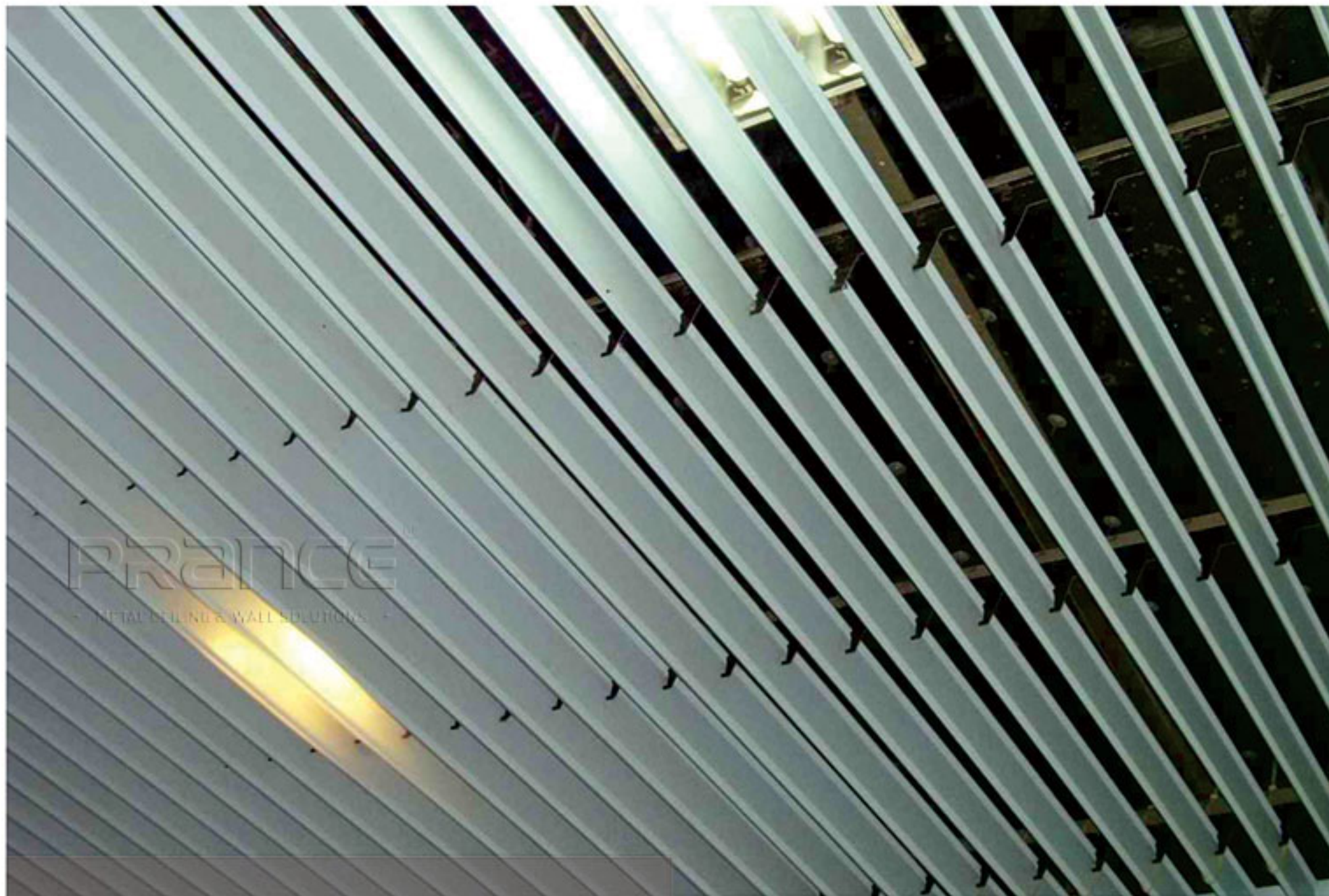


- 1 Thread rod
- 4 Main bar
- 2 Main channel
- 5 Hanger
- 3 Hanger of main channel
- 6 Cross bar

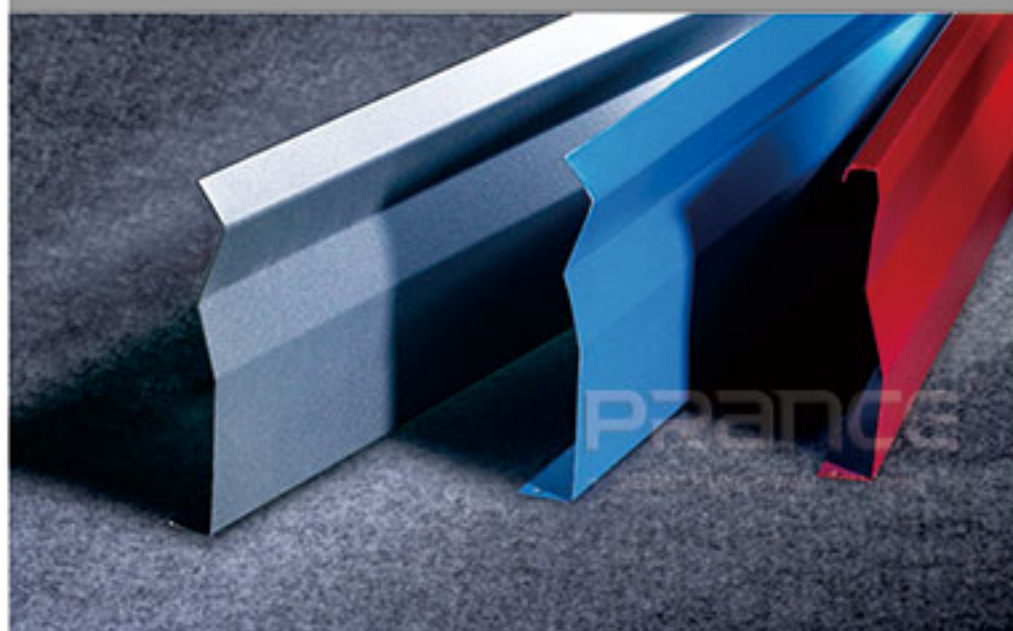




**BLADE CEILING**



**Application:**  
Hotel / Plaza / Airport  
Metro Station / Shopping Mall



**STANDARD COLOURS**

- RAL 9003 Pure white
- RAL 9010 Cream white
- RAL 9016 White
- RAL 9006 White aluminum
- RAL 9007 Grey aluminum

**A-Blade ceiling Specification** Unit:mm

Height	Length	Thickness
80	1000-5000	0.6-0.8
110	1000-5000	0.6-0.8
150	1000-5000	0.6-0.8

**B-Blade ceiling Specification** Unit:mm

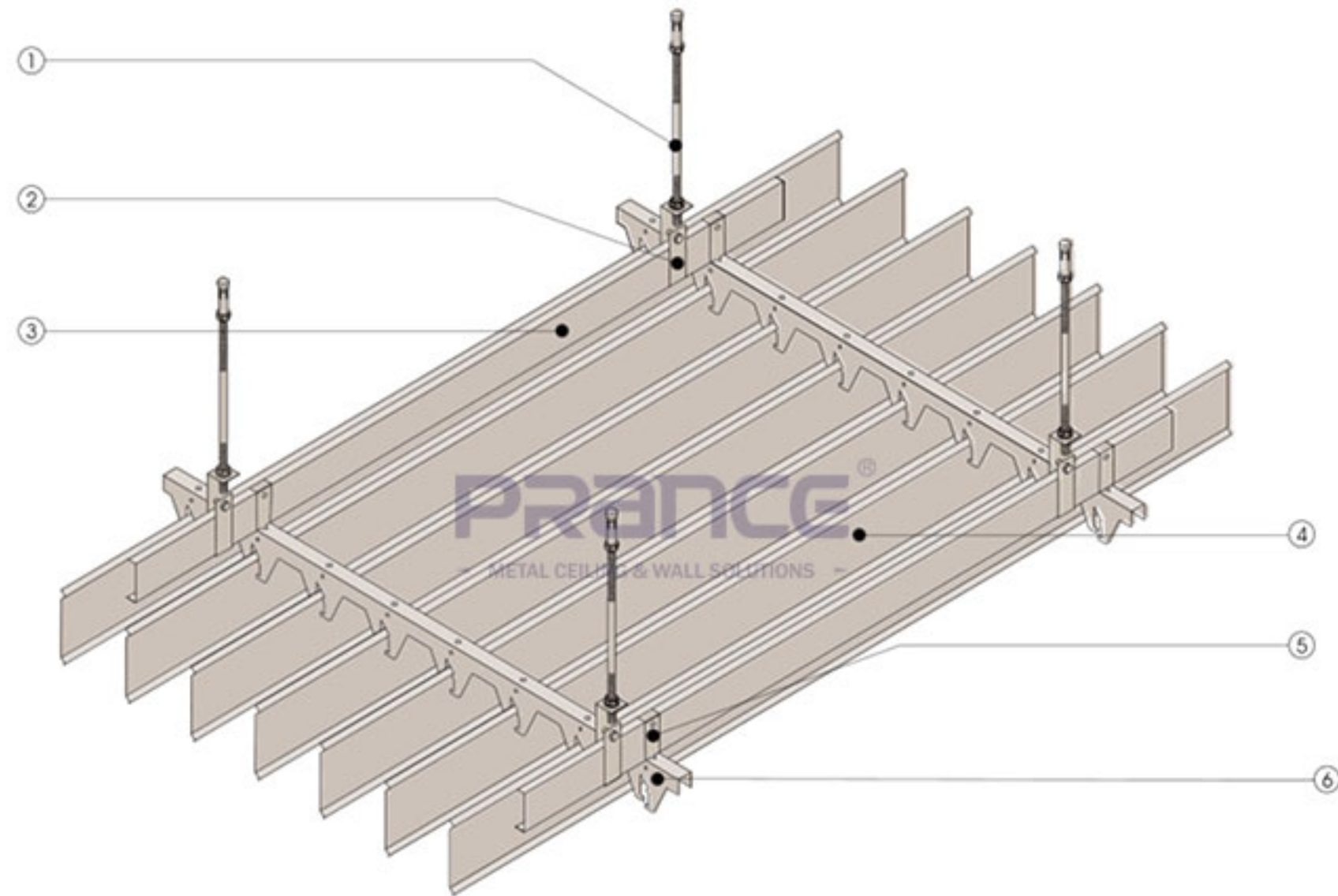
Height	Length	Thickness
100	1000-5000	0.6-0.8
125	1000-5000	0.6-0.8
150	1000-5000	0.6-0.8





Installation

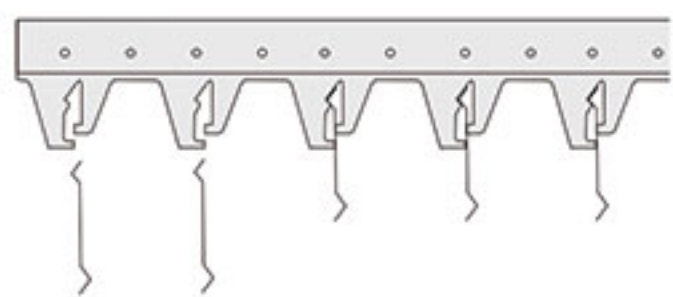
**ROUND TUBE CEILING**



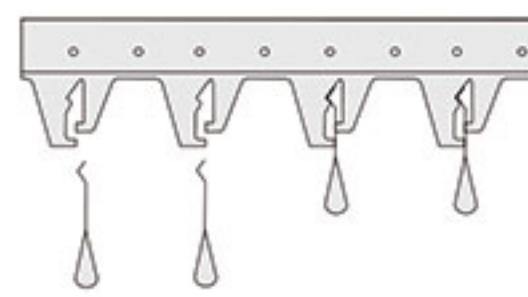
- |                             |                      |
|-----------------------------|----------------------|
| 1 Thread rod                | 4 Blade A panel      |
| 2 Hanger of 38 main channel | 5 Hanger for carrier |
| 3 38main channel            | 6 Carrier            |



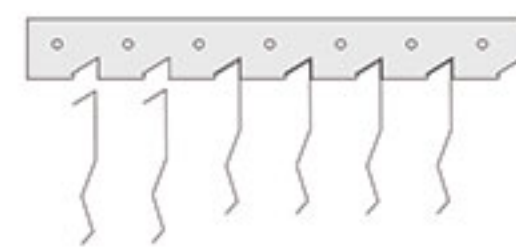
**Application:**  
Hotel / Plaza / Airport  
Metro Station / Shopping Mall



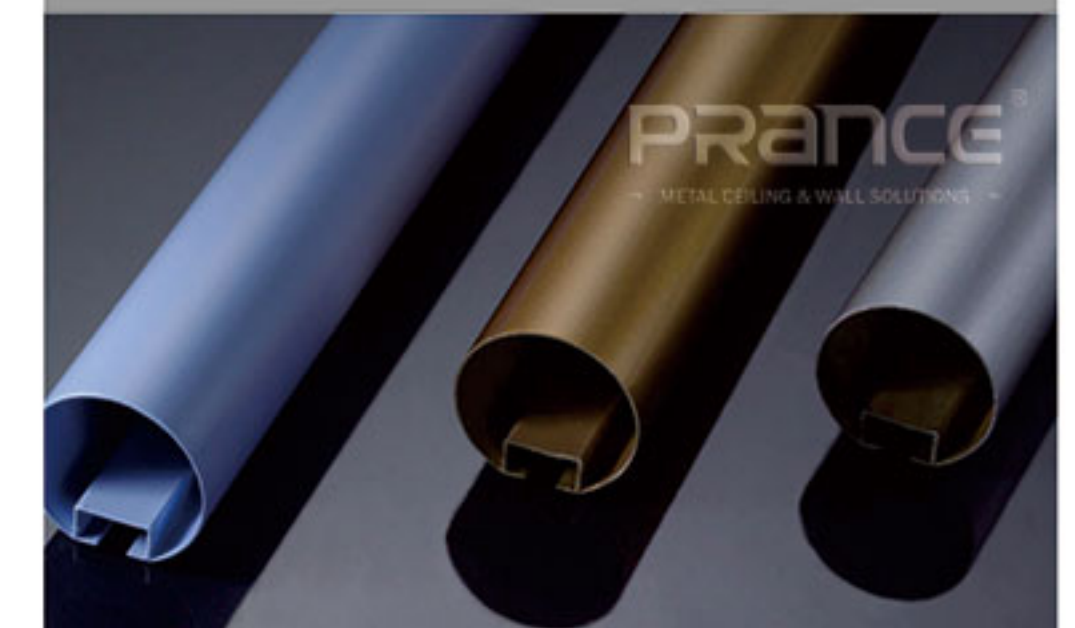
BLADE A CEILING



DROP BLADE CEILING



BLADE B CEILING





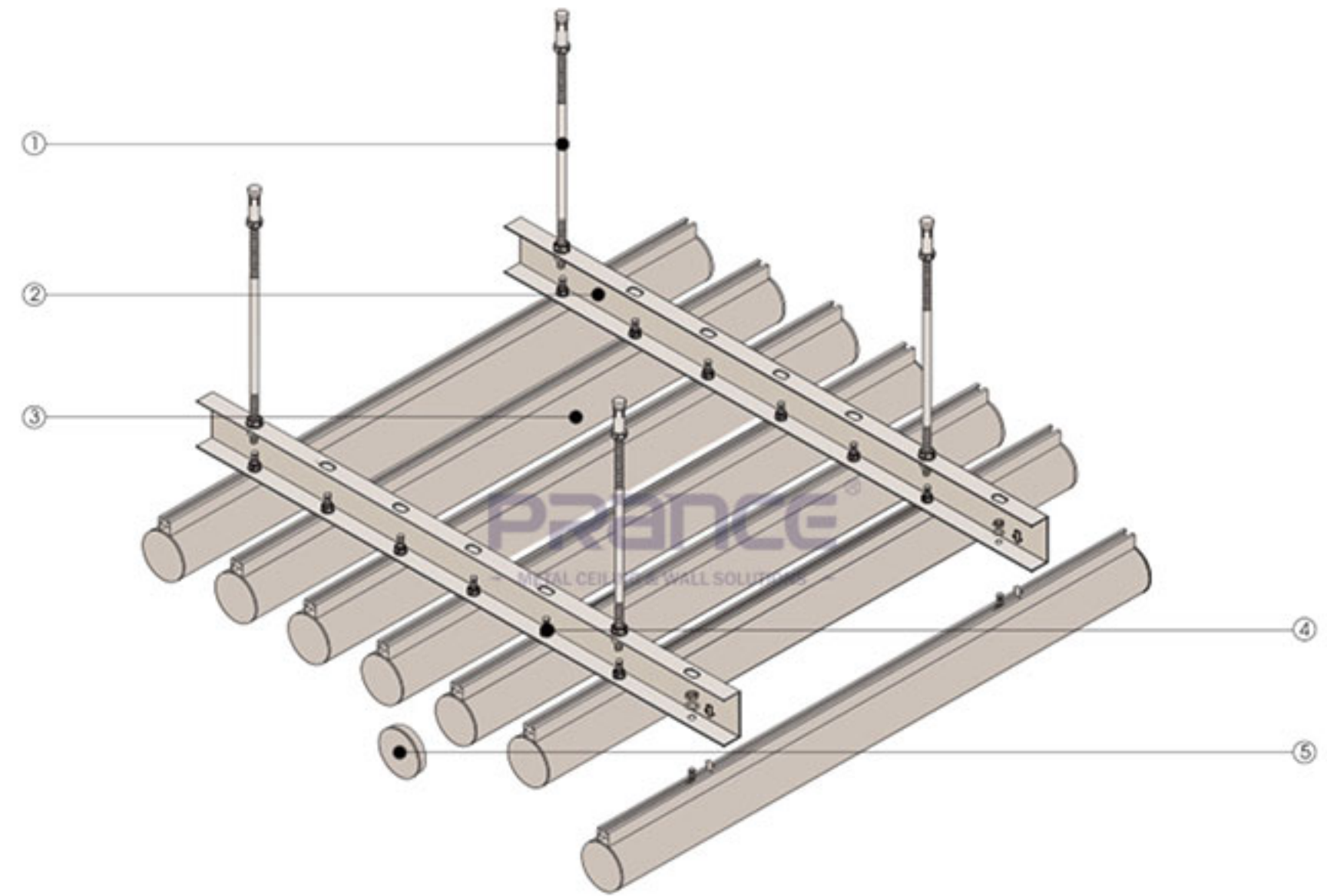
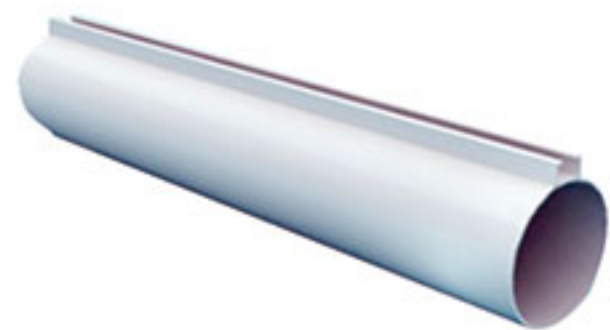


**STANDARD COLOURS**

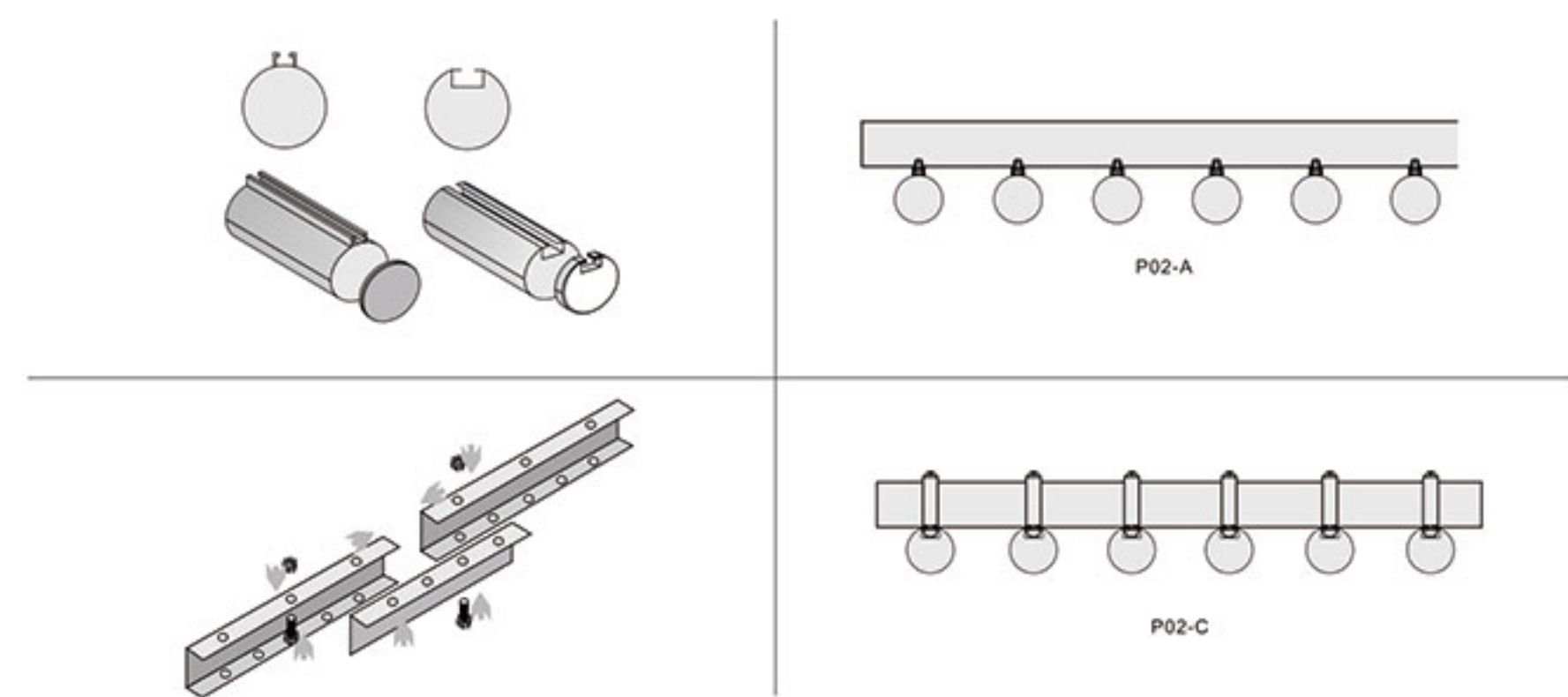
- RAL 9003 Pure white
- RAL 9010 Cream white
- RAL 9016 White
- RAL 9006 White aluminum
- RAL 9007 Grey aluminum
- Wooden Color

**Round tube ceiling specification** Unit:mm

Size	Thickness	Length
40	1.0	1000-6000
50	0.85	1000-6000
50	1.0	1000-6000
50	1.2	1000-6000
60	1.0	1000-6000
70	1.0	1000-6000
80	1.1	1000-6000



- 1** M8 Thread rod
- 2** C-Slot Carrier
- 3** Aluminum Pipe
- 4** M6 Screw
- 5** Cover of Aluminum Pipe





**SQUARE TUBE CEILING**



**Application:**  
Hotel / Plaza / Airport  
Metro Station / Shopping Mall



**STANDARD COLOURS**

- RAL 9003 Pure white
- RAL 9010 Cream white
- RAL 9016 White
- RAL 9006 White aluminum
- RAL 9007 Grey aluminum
- Wooden Color

**U-square tube ceiling specification** Unit:mm

Width	Thickness	Length
30	0.7-1.2	1000-5000
40	0.7-1.2	1000-5000
50	0.7-1.2	1000-5000

**U-square tube ceiling specification** Unit:mm

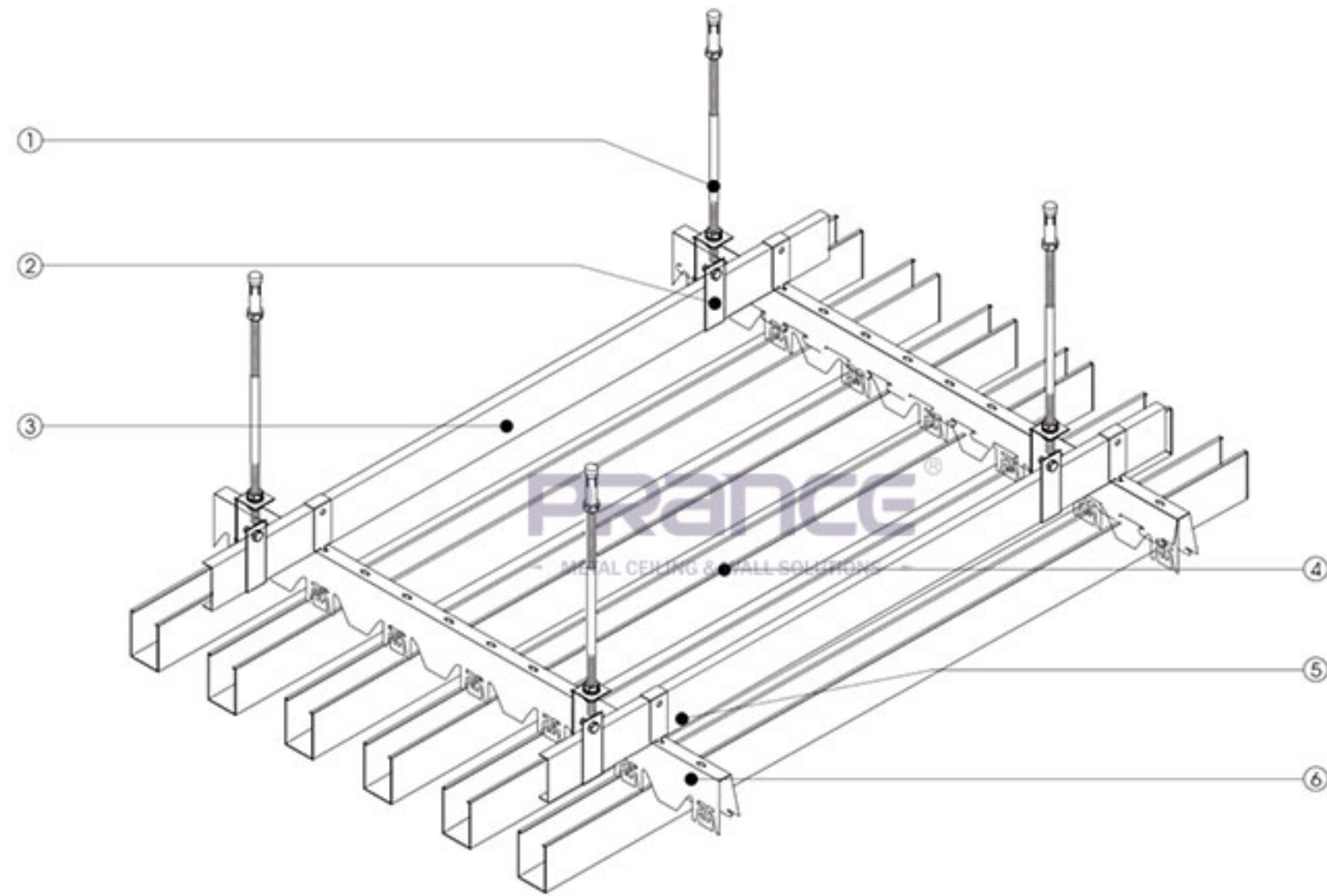
Width	Height	Thickness	Length
30	50	1.0	3000-6000
30	100	1.0	3000-6000
30	150	1.2	3000-6000





Installation

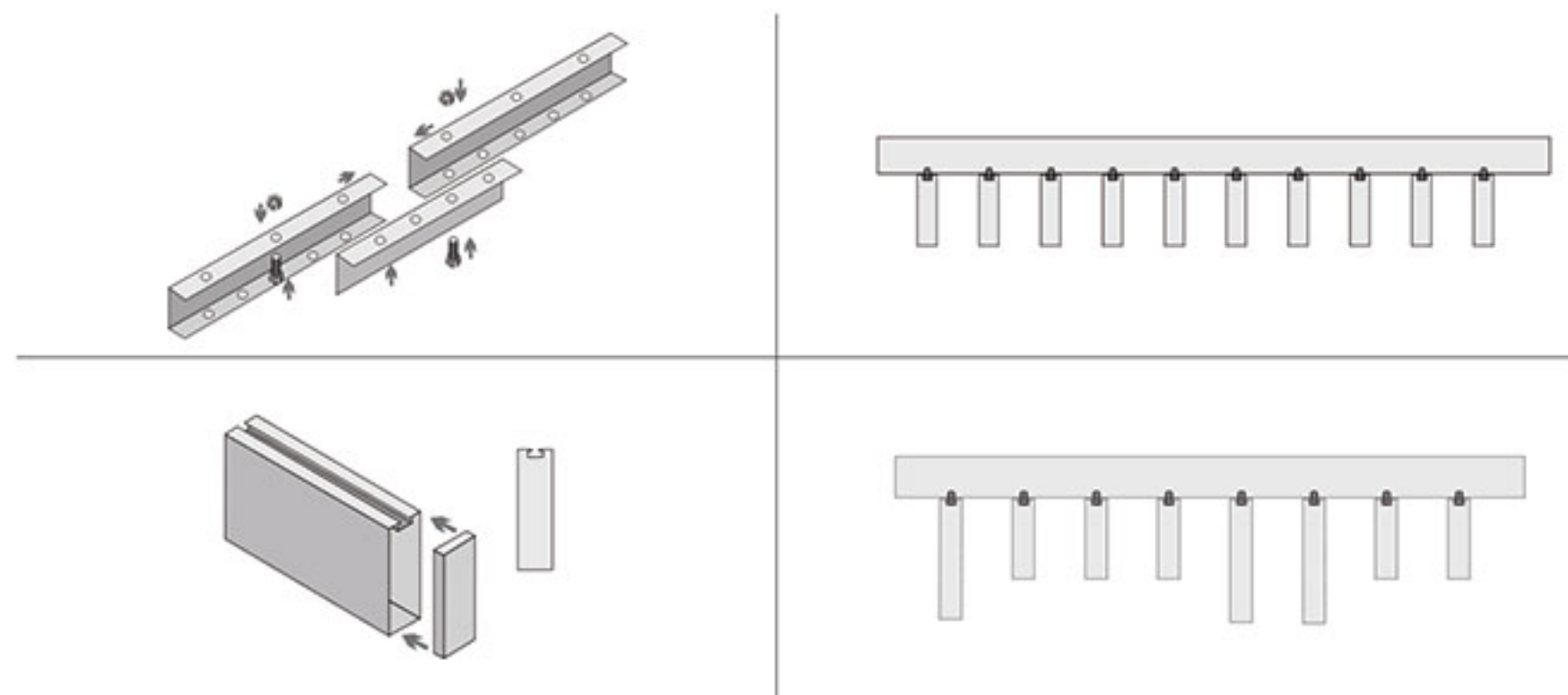
**PROJECT CEILING**



- 1 Thread rod
- 2 Hanger for Main channel
- 3 Main channel
- 4 Square Tube Ceiling
- 5 Hanger for Spring tee
- 6 Spring tee



**Application:**  
Hotel / Plaza / Airport  
Metro Station / Shopping Mall

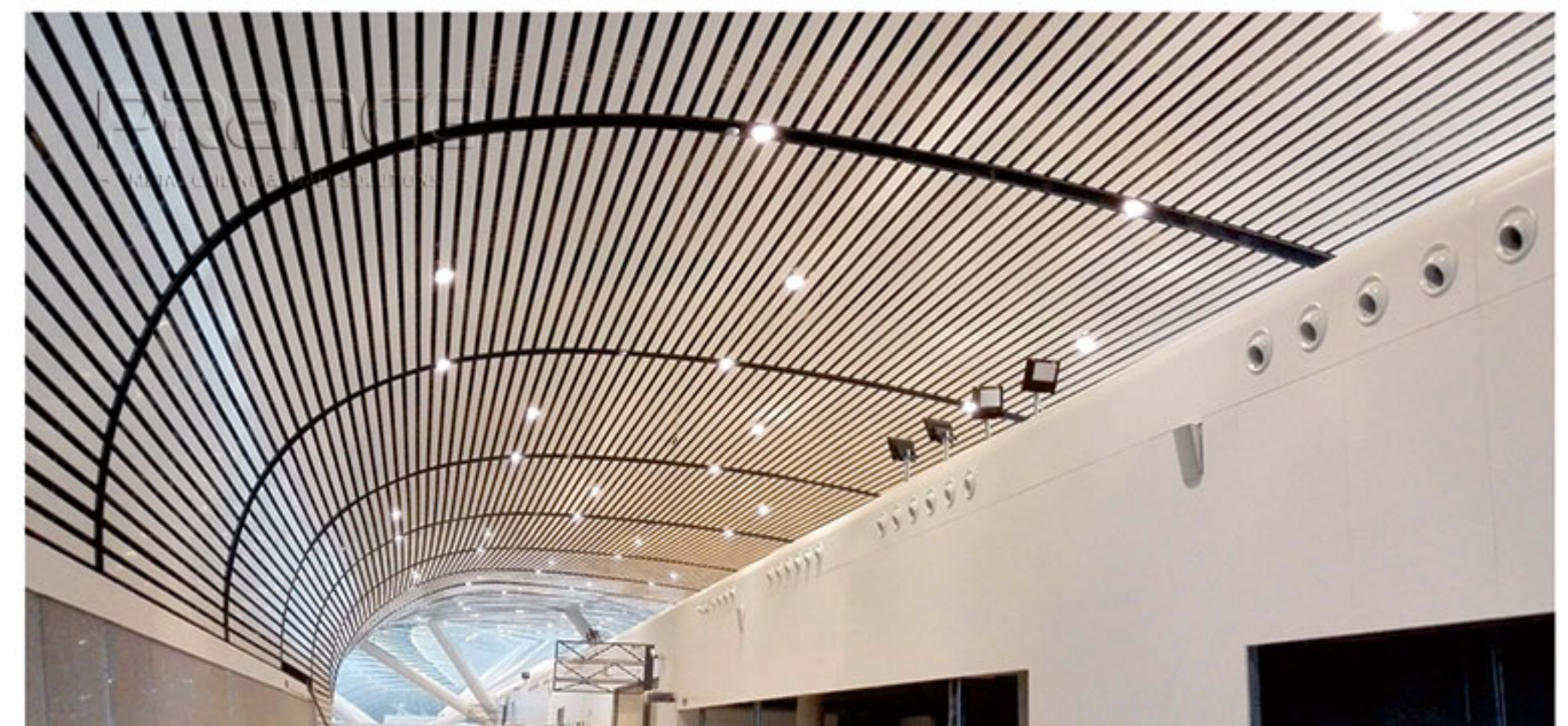
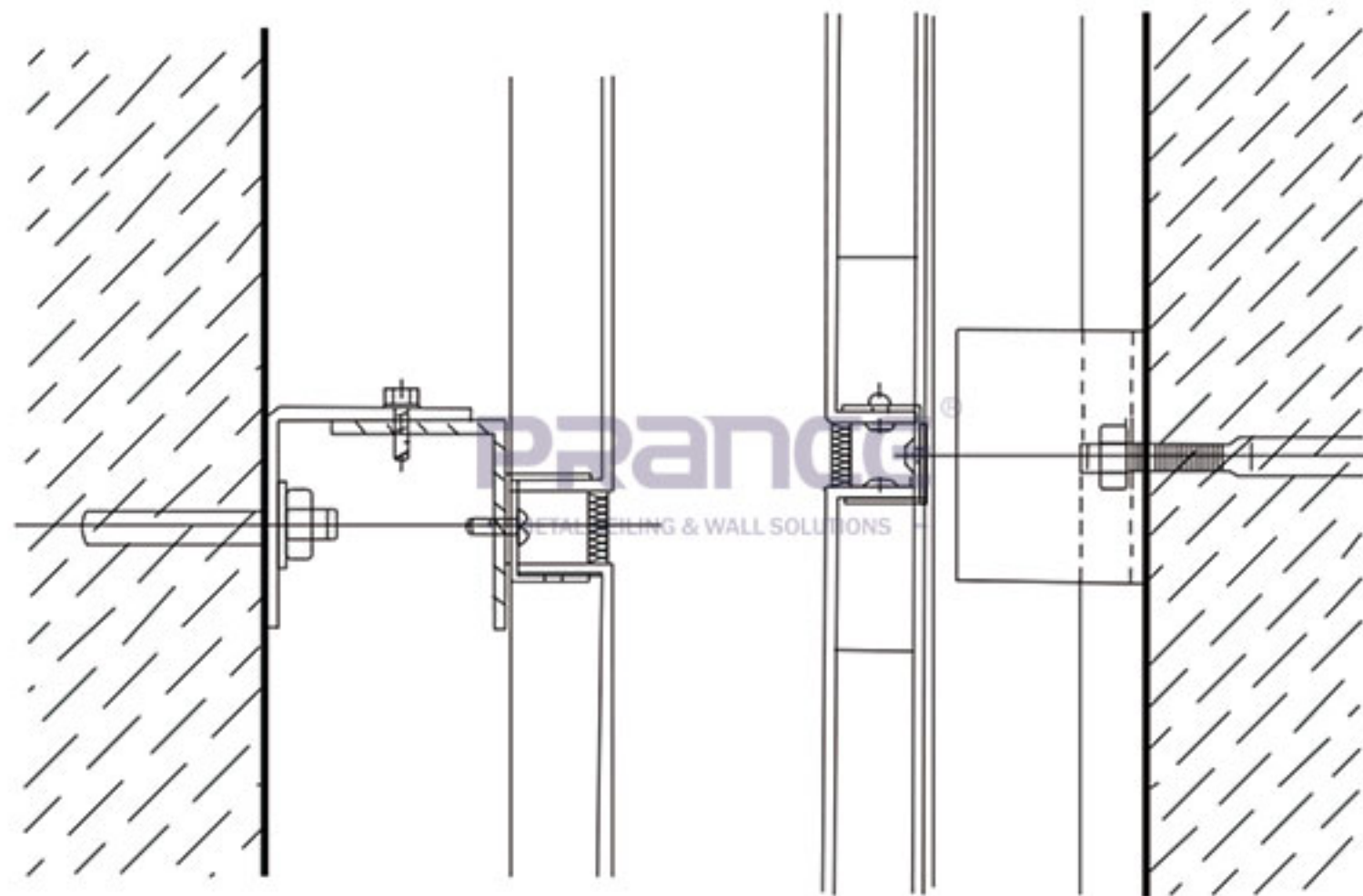






CUSTOMIZED CEILING

Single-layer aluminum curtain wall panel installation diagram

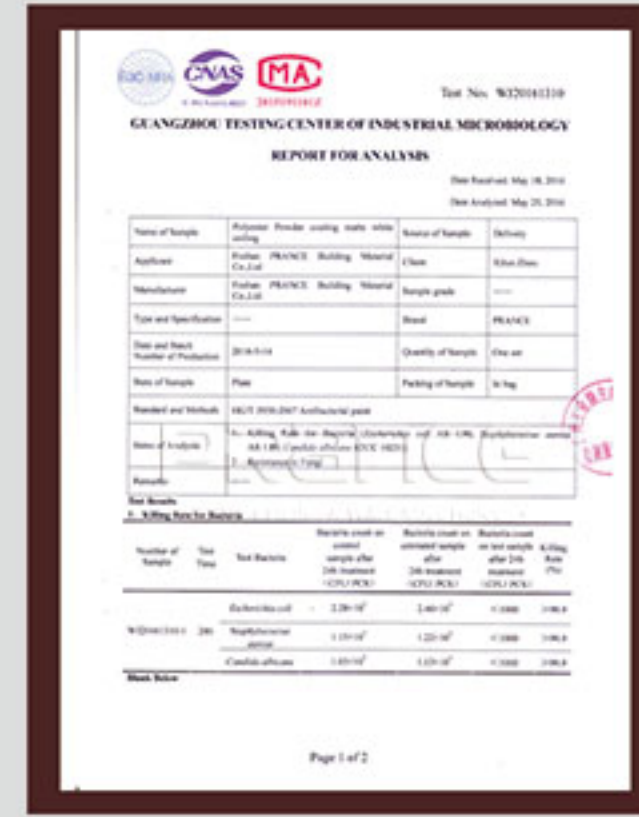




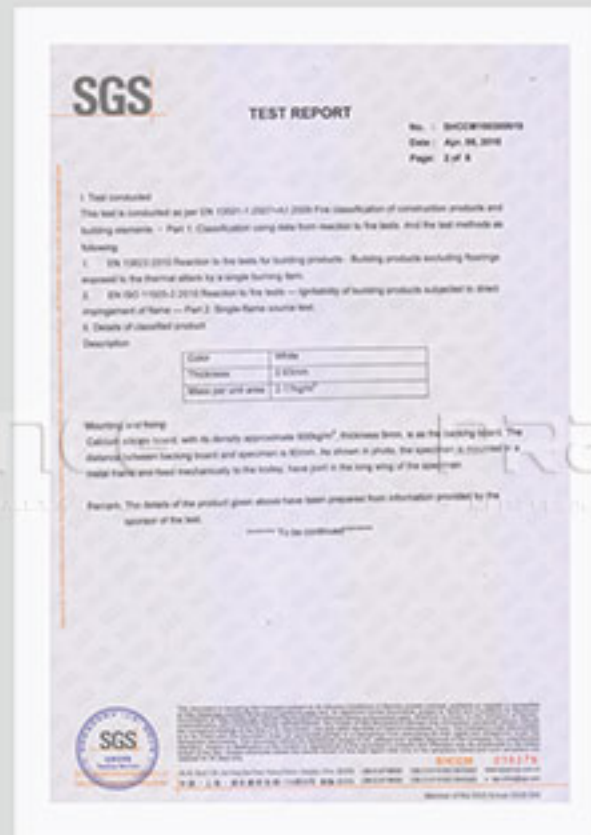
**CERTIFICATE**



ISO9001:2015



ANTIBACTERIAL TEST



# SERVICE PROCESS



Quality Control





