



METAL CEILING



PRANCE[®]

PRANCE METALWORK BUILDING MATERIAL CO.,LTD

No 169, South Area, Base of Electrical and Electronic Industry (National Touch Program),
BaiNi Town, SanShui Area, Foshan City, Guangdong Province

Office Add: 3F, 1st Building, No.11 Gangkou Rd, Chancheng, Foshan, Guangdong, China

Tel: +86-757-83138155

Fax: +86-757-83139722

Web: www.prancebuilding.com

E-Mail: info@prancebuilding.com



- Clip in ceiling
- Lay in ceiling
- Strip ceiling
- Open cell ceiling
- Blade ceiling
- Tube ceiling



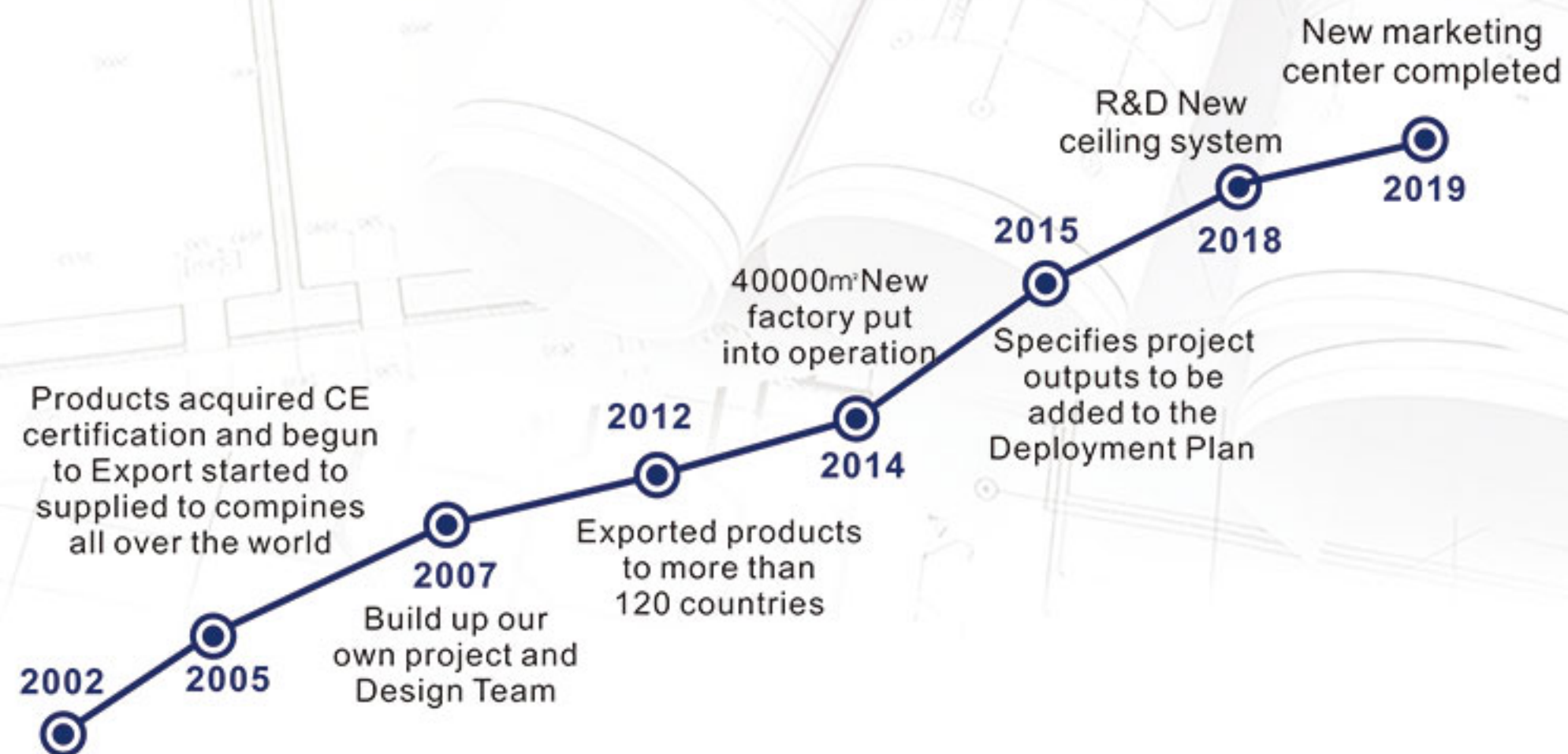
CONTENTS

COMPANY PROFILE	P01
CLIP IN CEILING	P04
LAY IN CEILING	P07
STRIP CEILING	P10
OPEN CELL CEILING	P14
BLADE CEILING	P17
ROUND TUBE CEILING	P20
SQUARE TUBE CEILING	P23
PROJECT CEILING	P26
CERTIFICATE	P29



ABOUT PRANCE®

PRANCE® is specialized in the production and marketing of building material for 17 years.



PRANCE®
Established

PRANCE® has a complete and scientific management system on product quality control to enforce the ISO9001-2000 standard. As products meet the EN CE certification, our products have got the recognition and support from our customers from China and internation.

Factory Data

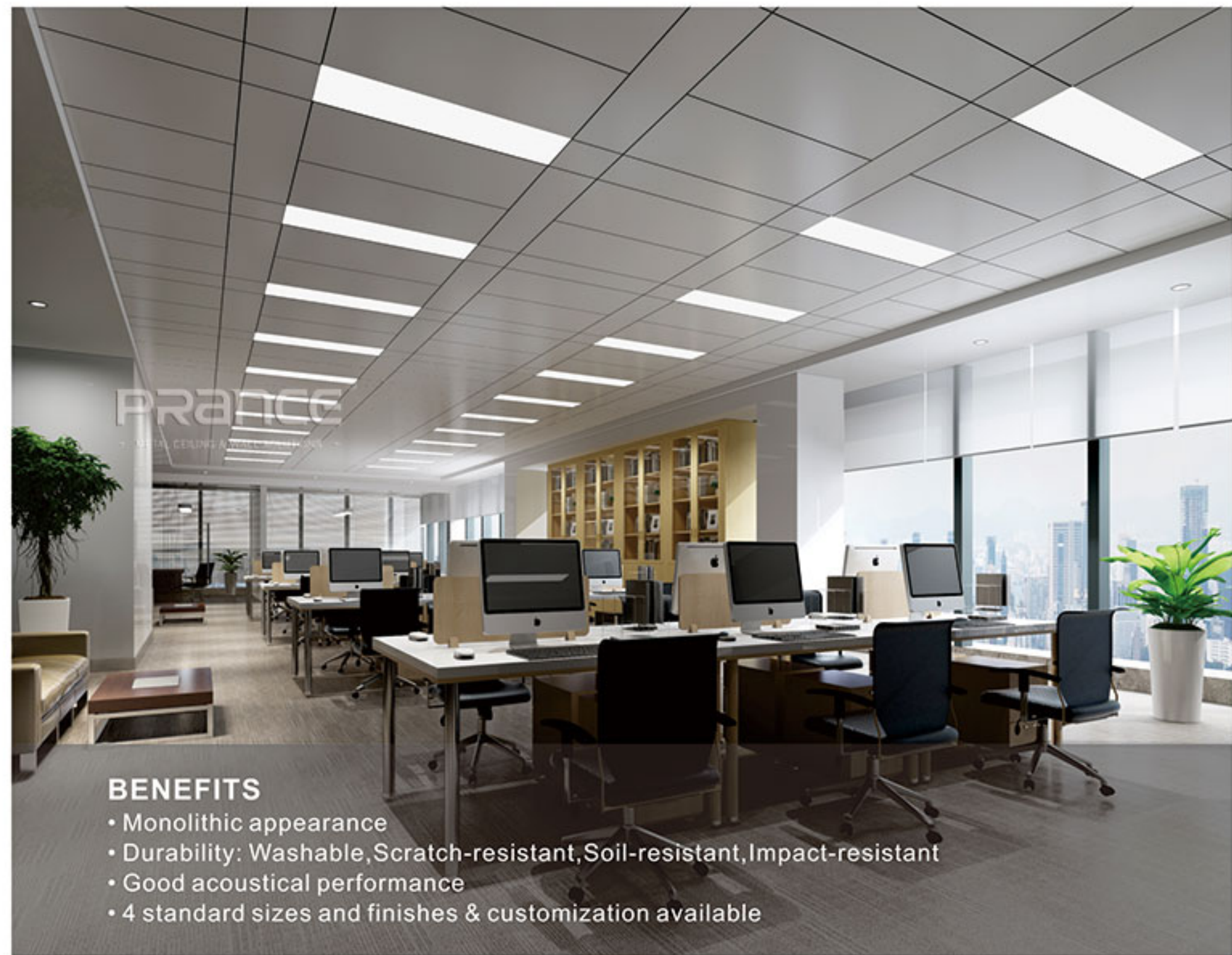
Established	Congo	2002
Project Area	Europe, Middle East, Aisa, Australia	
Capacity	Design, Products, Installation	
Factory Area	40000m²	

We have our own research and development and design team

MANUFACTURE CENTER



CLIP IN CEILING



- BENEFITS**
- Monolithic appearance
 - Durability: Washable, Scratch-resistant, Soil-resistant, Impact-resistant
 - Good acoustical performance
 - 4 standard sizes and finishes & customization available

// Application
Hospital Office Library Station





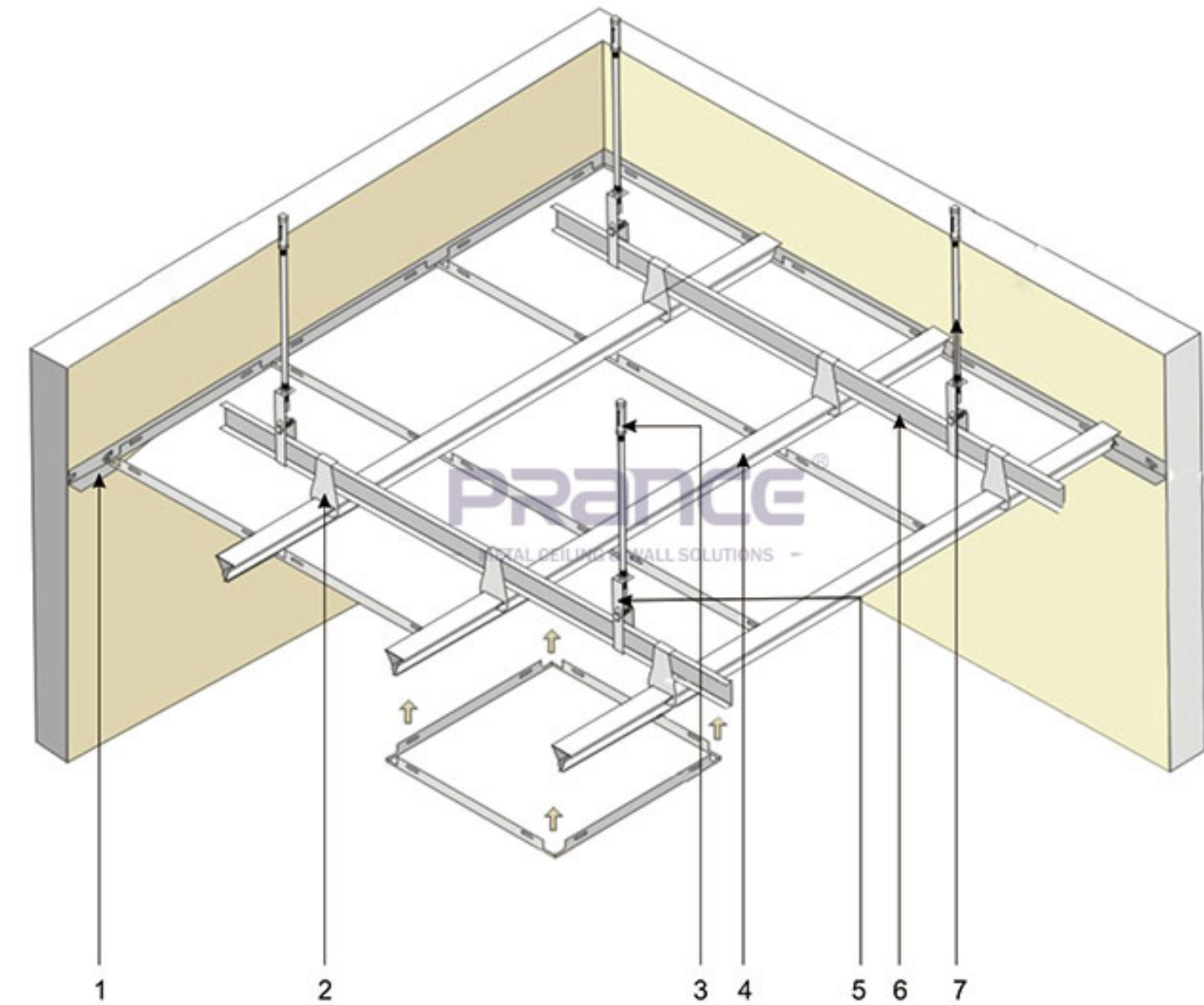
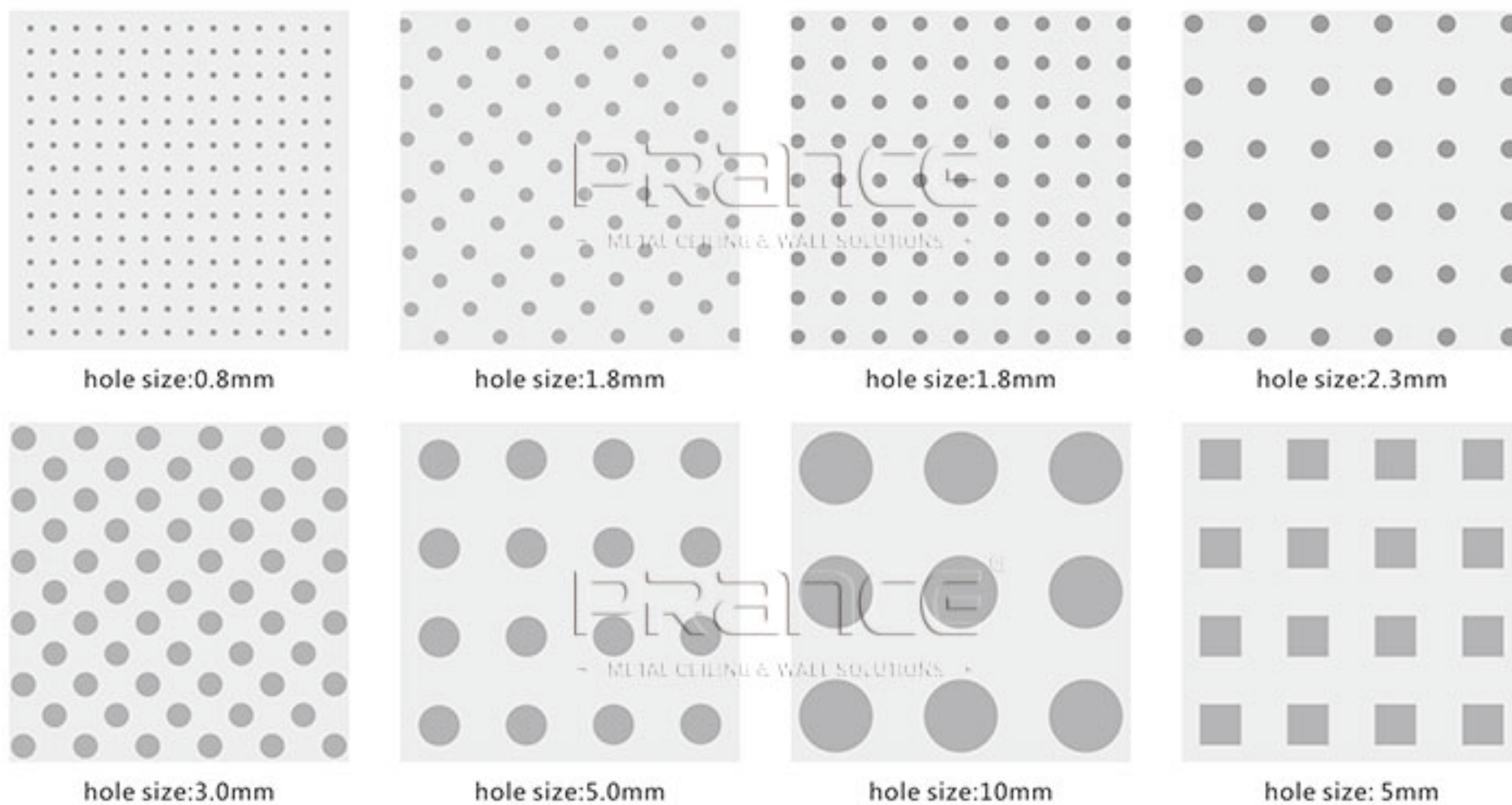
STANDARD COLOURS

- RAL 9003 Pure white
- RAL 9010 Cream white
- RAL 9016 White
- RAL 9006 White aluminum
- RAL 9007 Grey aluminum

Specification(mm)

Specification	Perforated	Powder coated	Pre-painted	Straight edge	Bevel edge	Edge hight
300X300	•	•	•	•	•	20
300X600	•	•	•	•	•	20
300X1200	•	•	•	•	•	20
400X400	•	•	•	•	•	20
500X500	•	•	•	•	•	20
600X600	•	•	•	•	•	20/24/28/30
600X1200	•	•	•	•	•	20/24/28/30
800X800	•	•	•	•	•	24

Perforation size



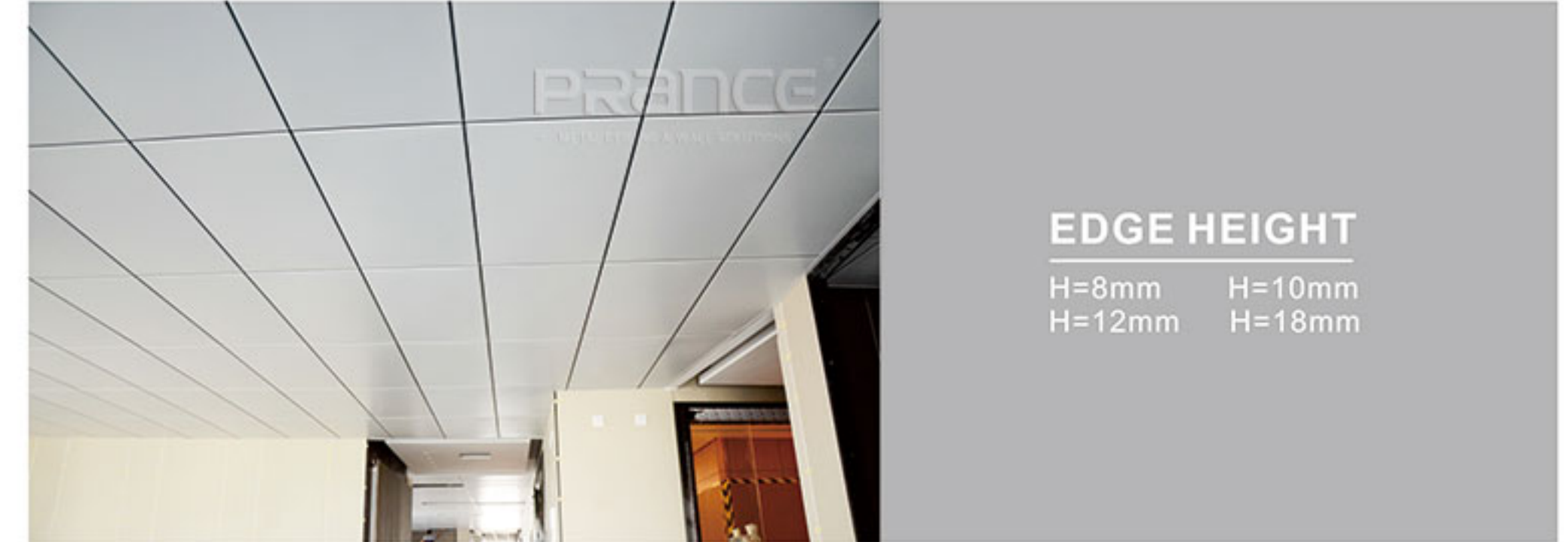
- 1 L angle
- 2 Hanger of spring tee
- 3 Expansion screw
- 4 Spring tee
- 5 Hanger of 38main channel
- 6 38main channel
- 7 Thread rod

- Offers superior wash resistance without compromising panel finish
- Excellent resistance to dirt and/or grease; for lasting and performance.
- Impact Resistance Excellent resistance to surface impact as per Falling Ball Test
- Withstands up to 150 scrub cycles
- minimizes panel damage
- Color options

LAY IN CEILING



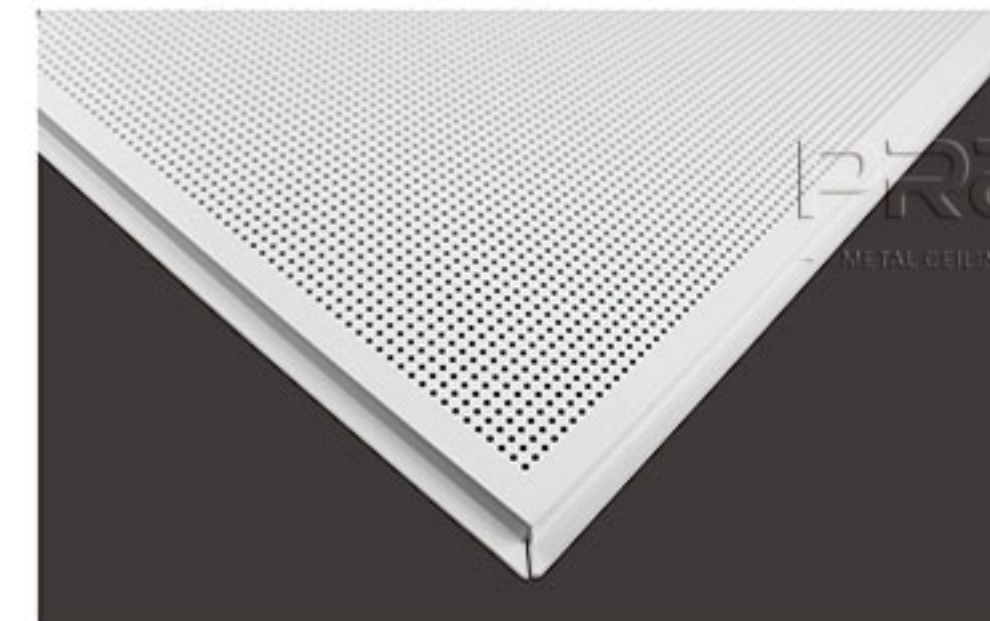
Application:
Hospital / Office / Library / Station



EDGE HEIGHT
H=8mm H=10mm
H=12mm H=18mm

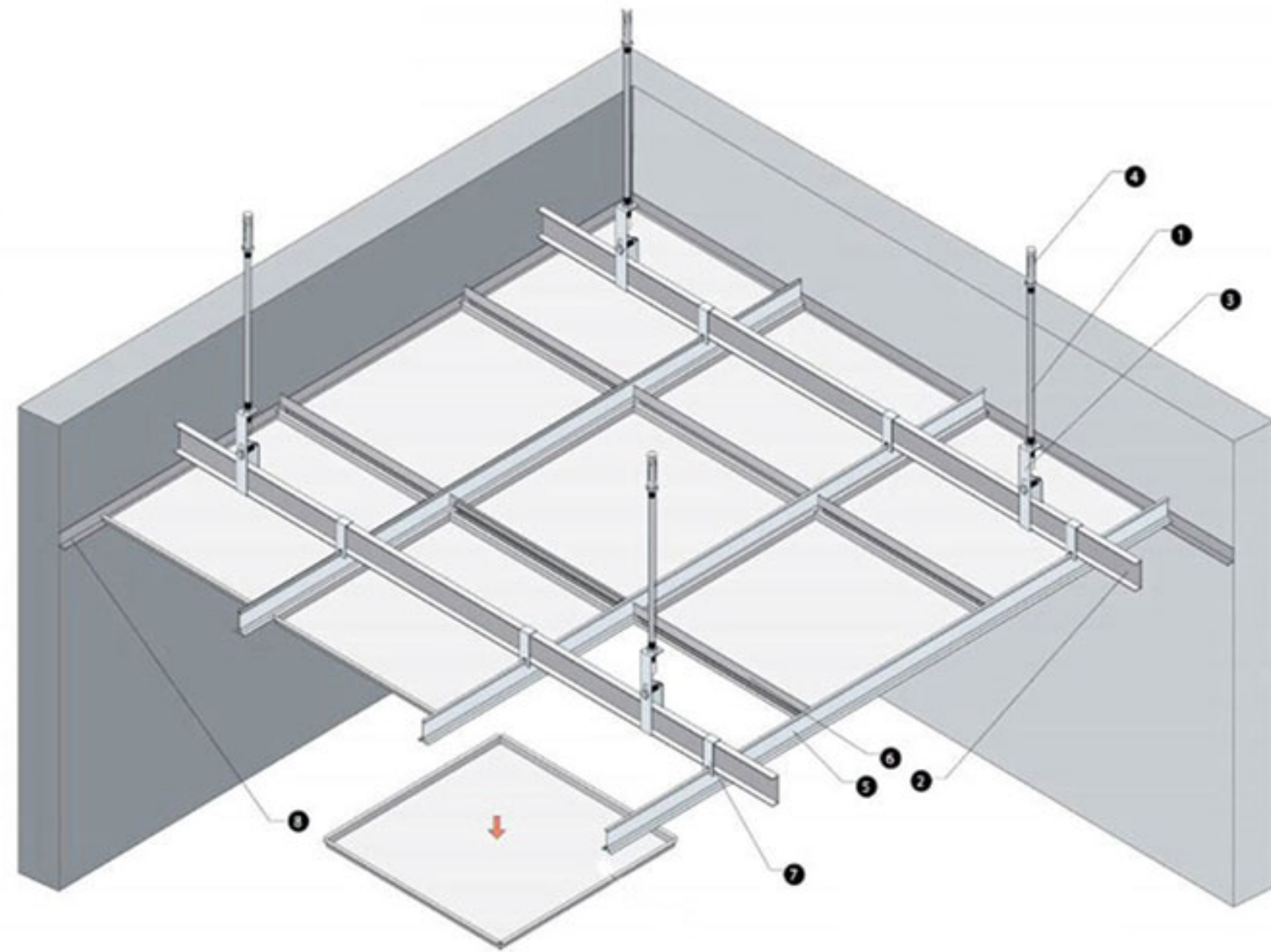
Lay in ceiling		Unit:mm
Metric size	Inch size	
595x595x575x575x8H(12H/18H)	605x605x585x585x10H	
595x595x585x585x10H	585x585x575x575x8H	
595x1195x575x1175x8H	603x1210x585x1195x10H	
295x295x275x275x8H		

Lay on ceiling			Unit:mm
595x595x18H	603x603x18H	292x292x10H	



Installation

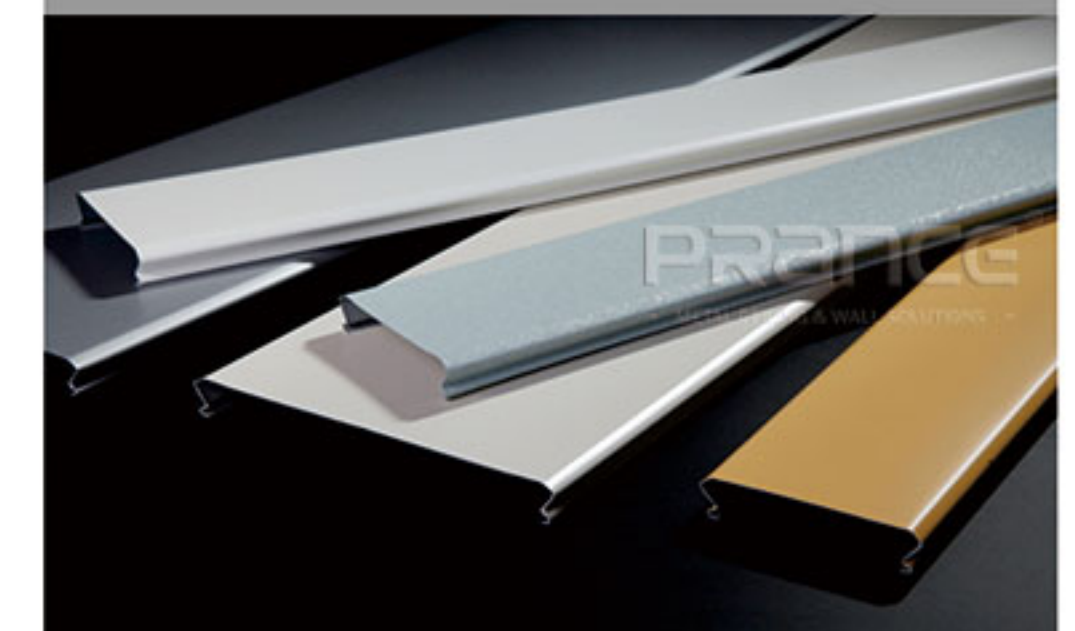
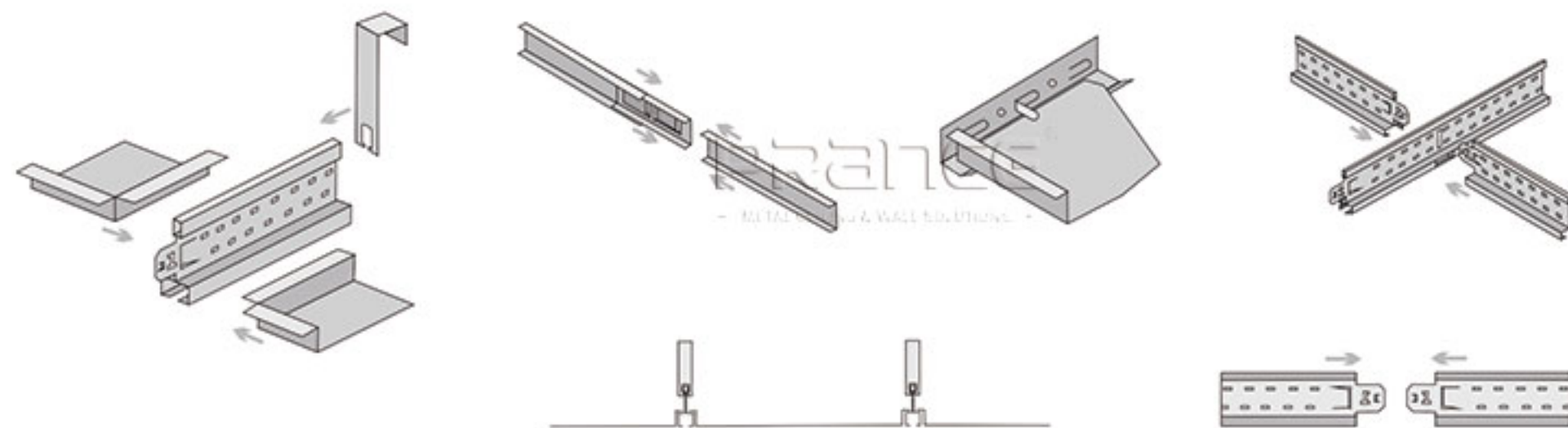
STRIP CEILING



- | | |
|-----------------------------------|--------------------------------|
| 1 Thread rod | 5 T-type main keel |
| 2 38main channel | 6 T-Vice keel |
| 3 Hanger of 38main channel | 7 T keel hanging pieces |
| 4 Expansion screw | 8 L angle |



Application:
Airport / Hospital / Museum
Gas station / Metro station



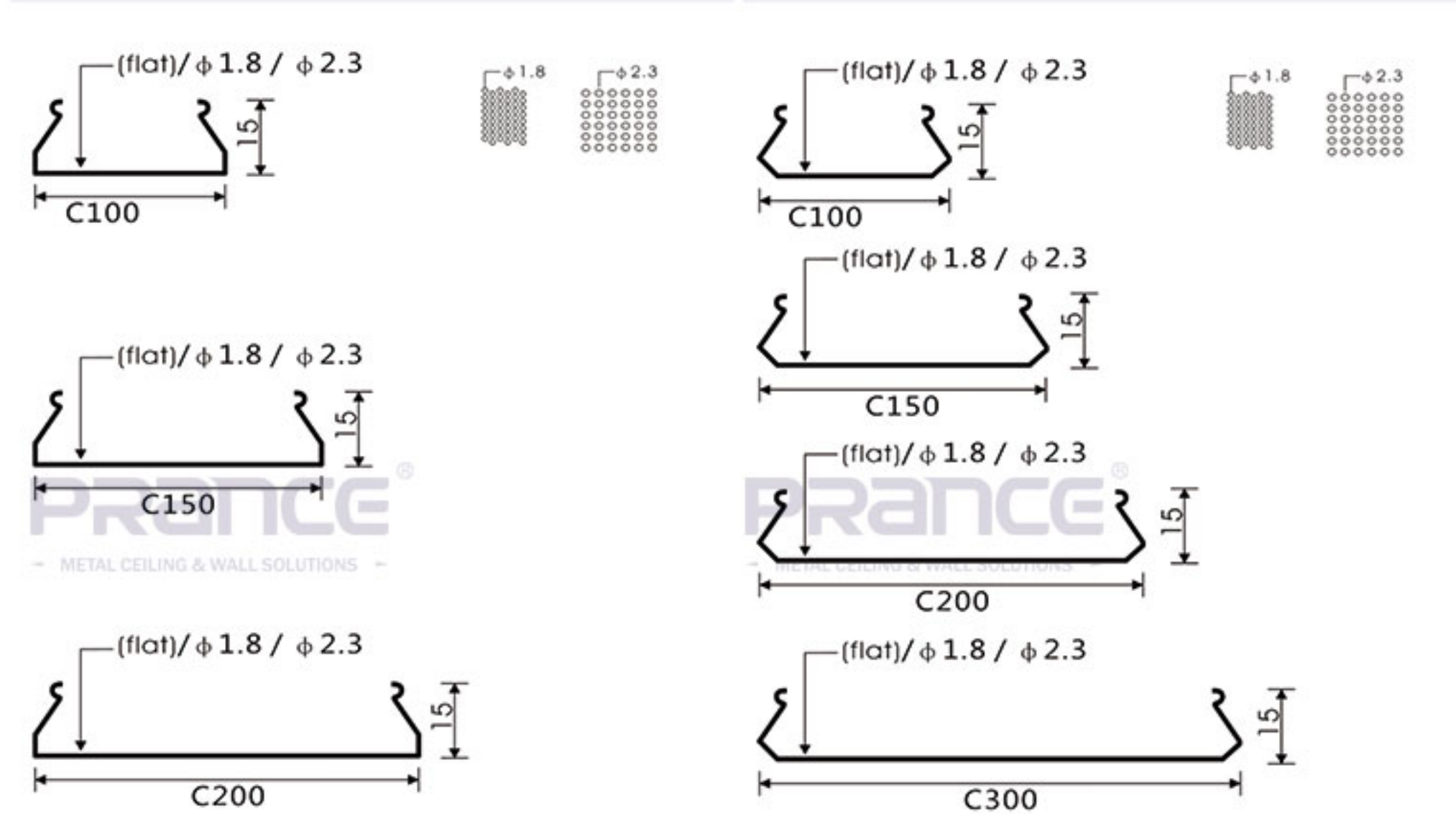


STRIP CEILING STYLE

- C-Strip Ceiling
- S-Strip Ceiling
- H-Strip Ceiling

C-Strip Ceiling

L Angle	Beveled Angle
---------	---------------



Thickness: 0.6-0.9mm
Length: 0-6000mm

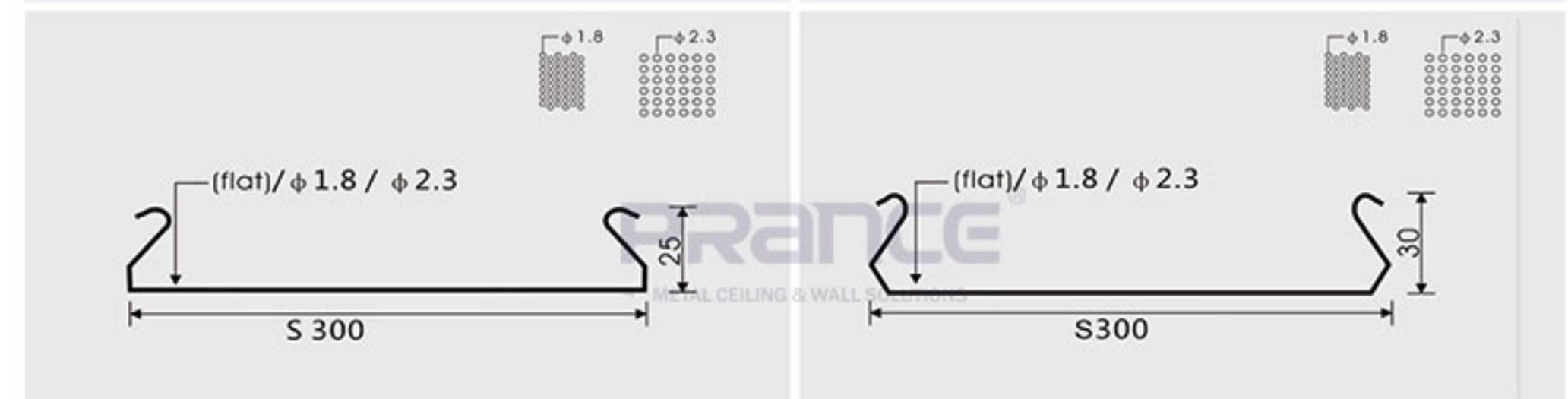


STRIP CEILING STYLE

- C-Strip Ceiling
- S-Strip Ceiling
- H-Strip Ceiling

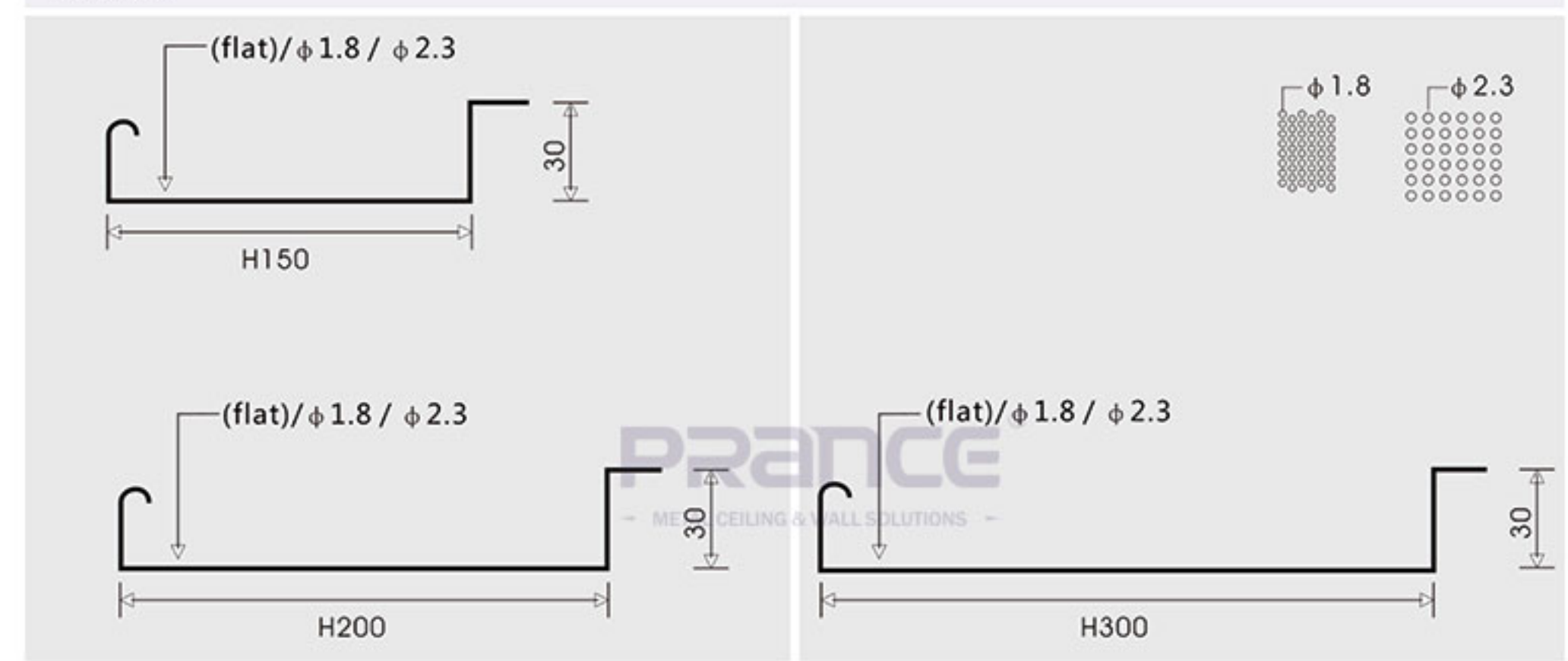
S-Strip Ceiling

L Angle	Beveled Angle
---------	---------------



H-Strip Ceiling

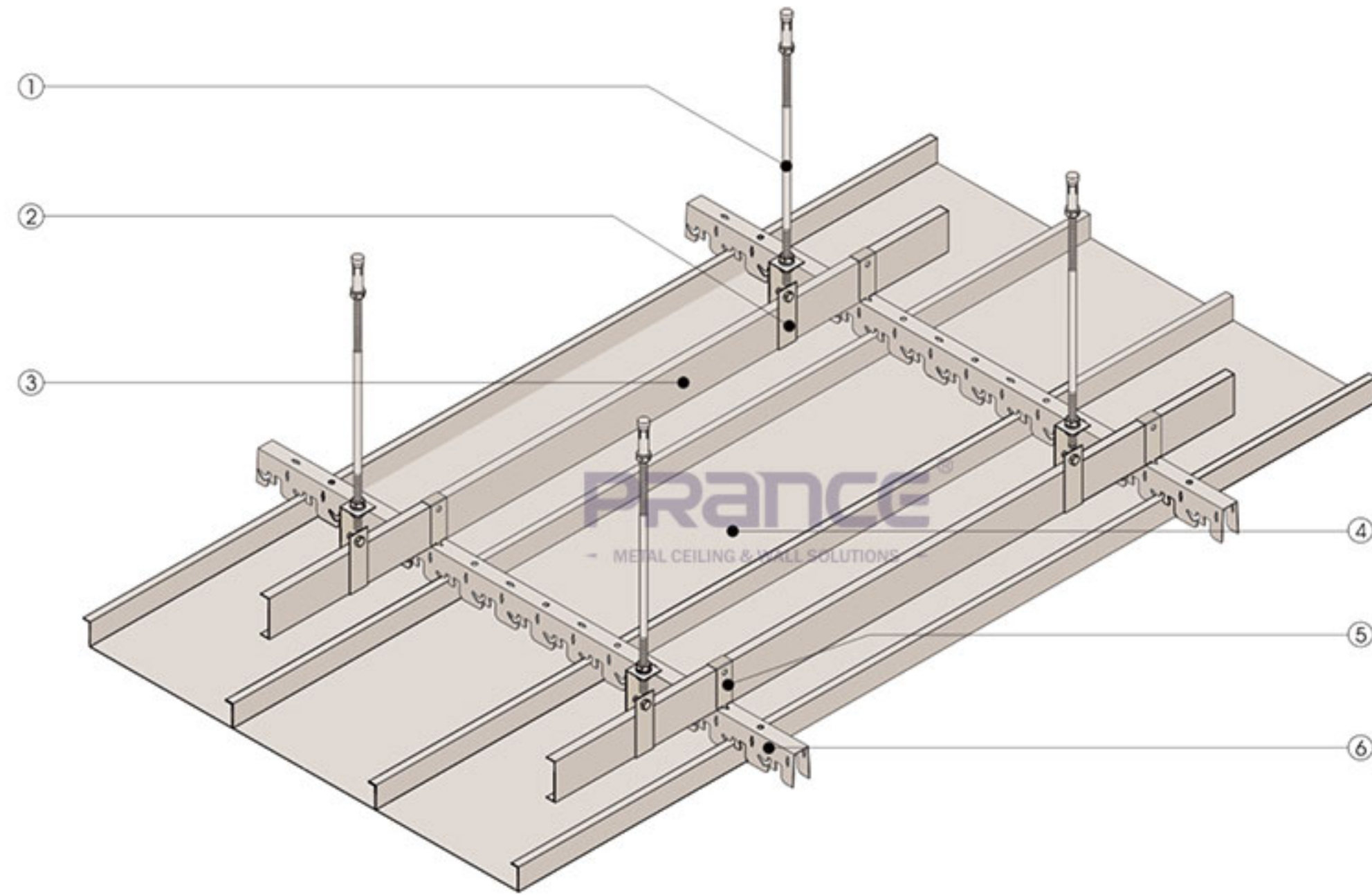
L Angle



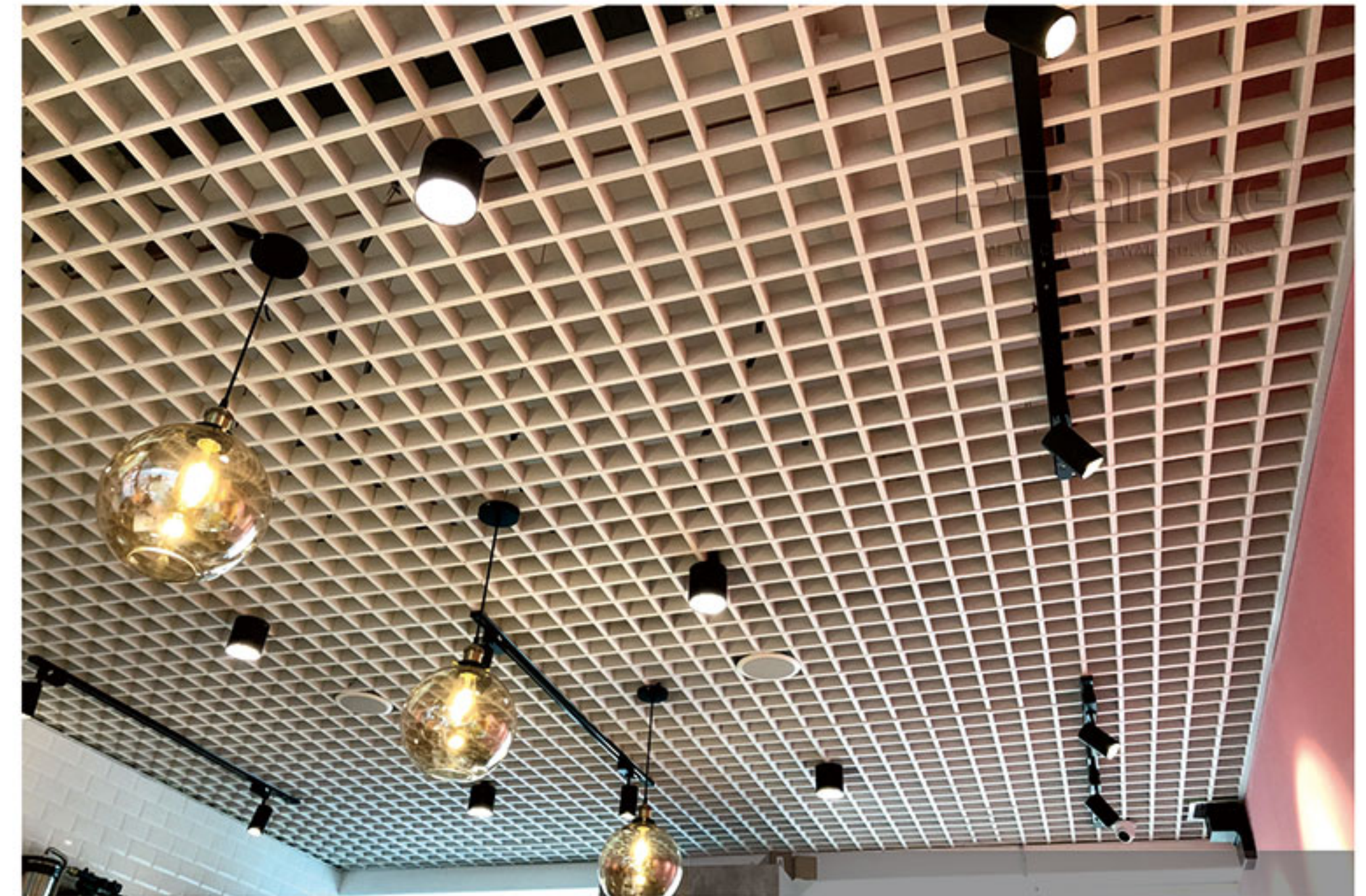
Thickness: 0.6-0.9mm Length: 0-6000mm

Installation

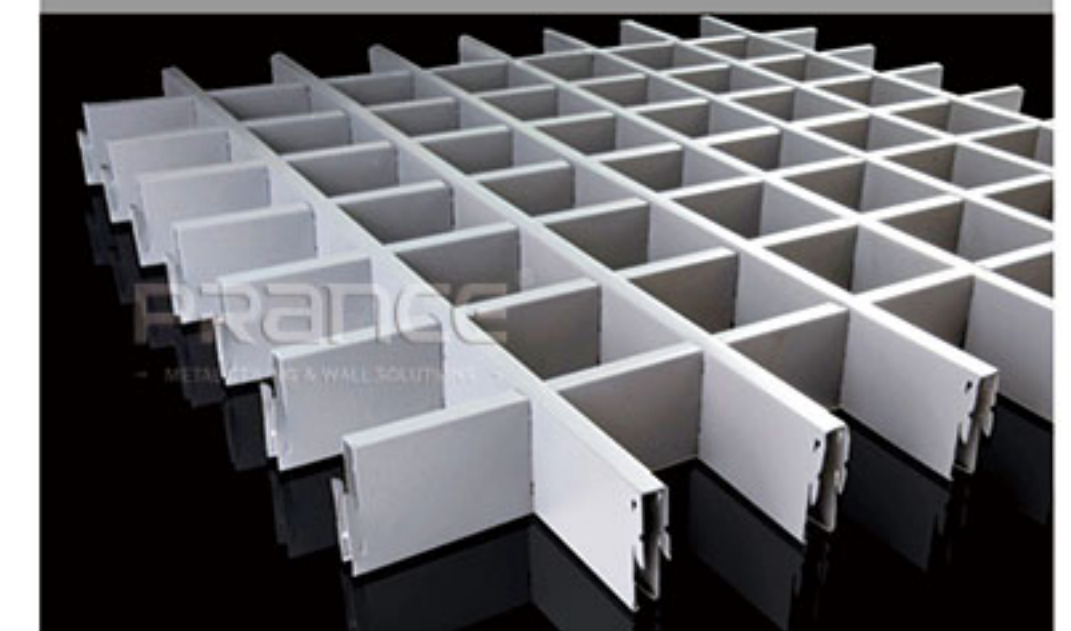
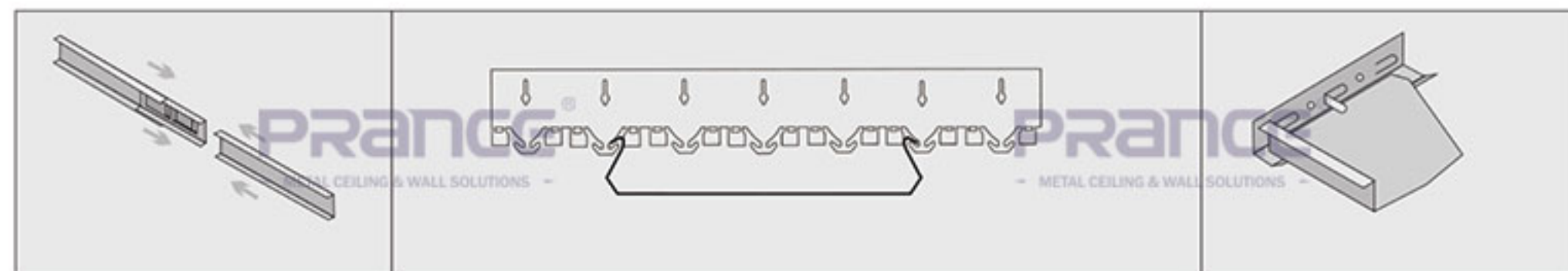
OPEN CELL CEILING



- | | |
|---------------------------------|------------------------|
| 1 Thread rod | 4 H-strip panel |
| 2 Hanger of main channel | 5 Hanger |
| 3 Main channel | 6 Carrier |



Application:
Hotel / Plaza / Airport
Metro Station / Shopping Mall





STANDARD COLOURS

- RAL 9003 Pure white
- RAL 9010 Cream white
- RAL 9016 White
- RAL 9006 White aluminum
- RAL 9007 Grey aluminum

Open cell ceiling specification Unit:mm

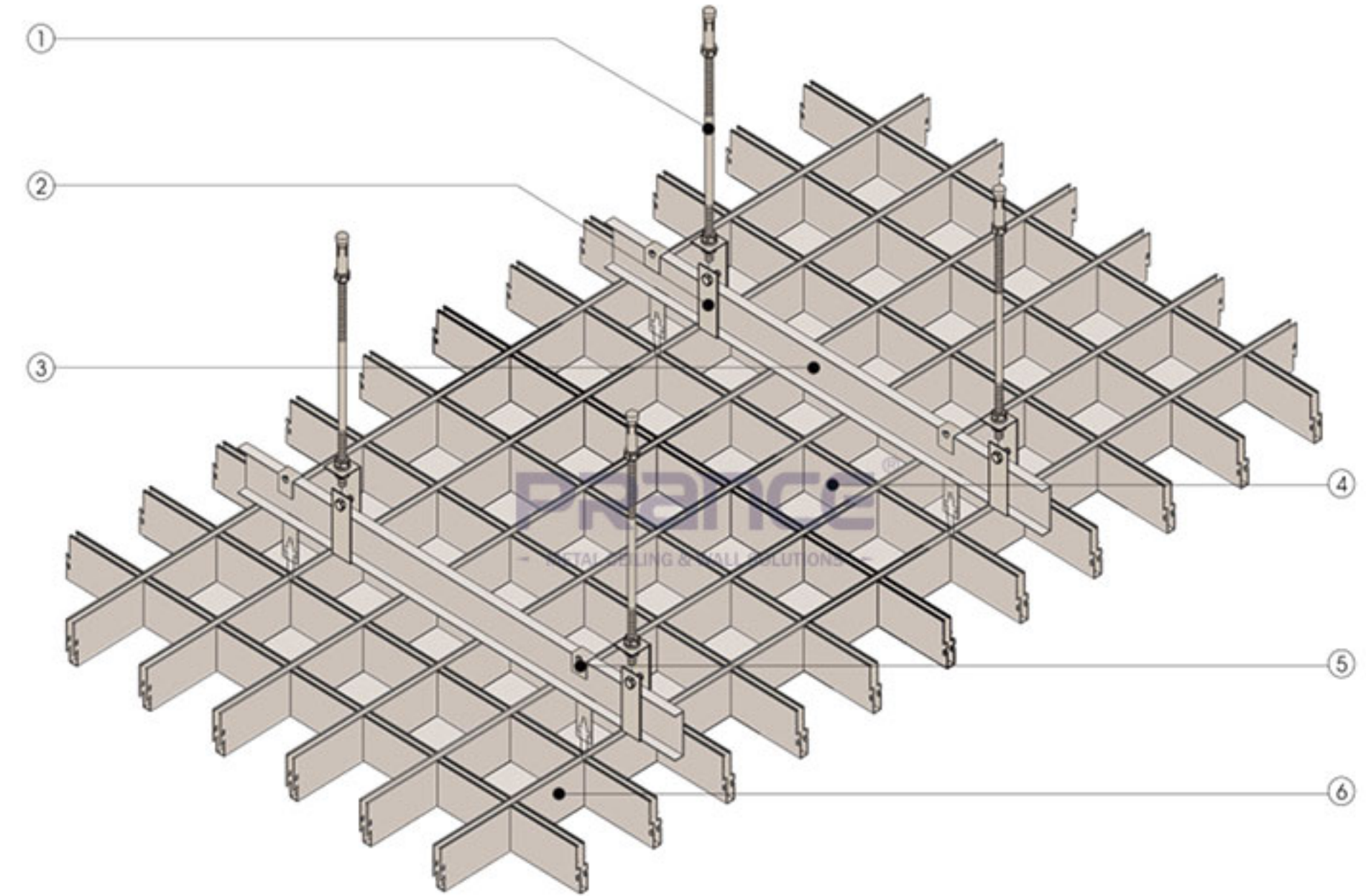
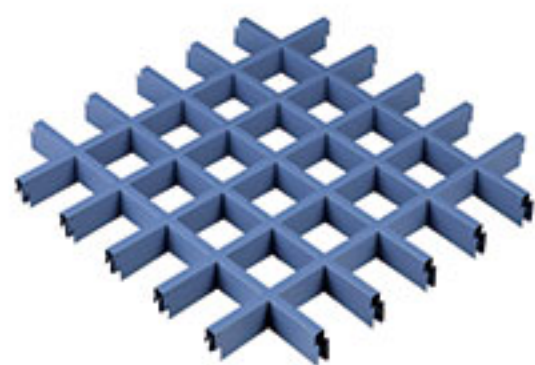
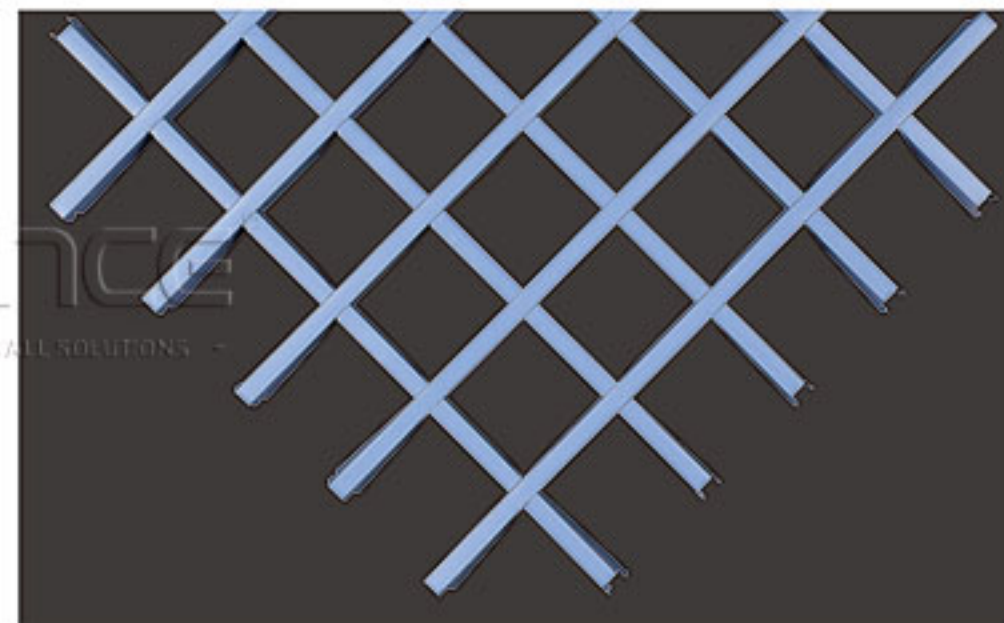
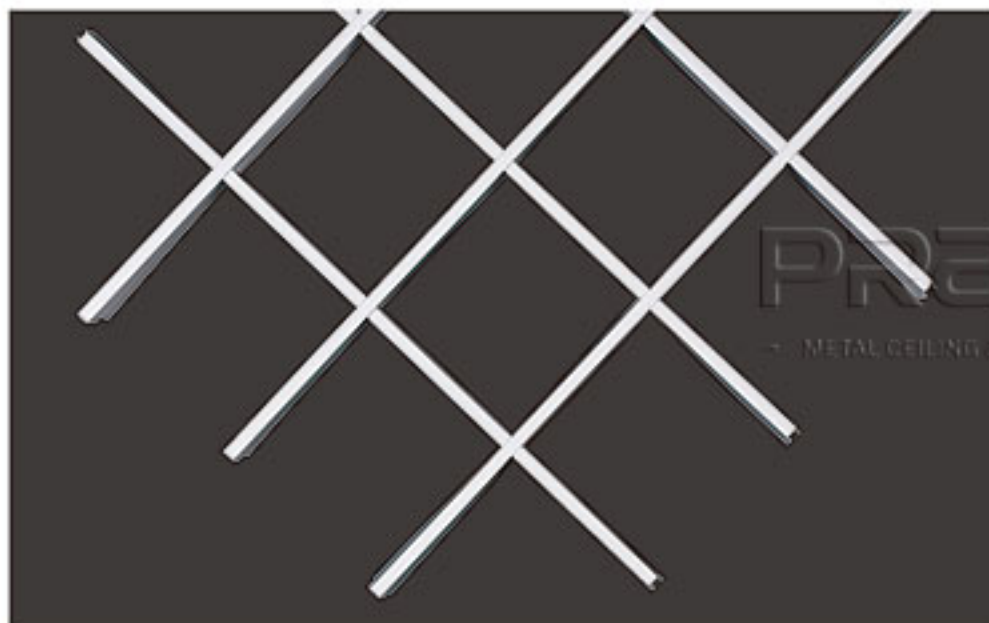
Height	35	40	45	50	60	80
Width	10	10	10	10/15	15	15
Thickness	0.45-0.6	0.45-0.6	0.5-0.65	0.5-0.65	0.5-0.65	0.5-0.65

Square open cell specification Unit:mm

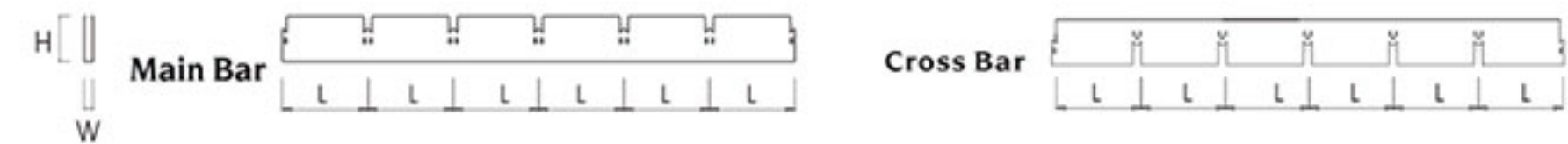
50x50	75x75	100x100	125x125
150x150	200x200	250x250	300x300

Rectangle open cell specification Unit:mm

50x100	50x150	100x200
--------	--------	---------



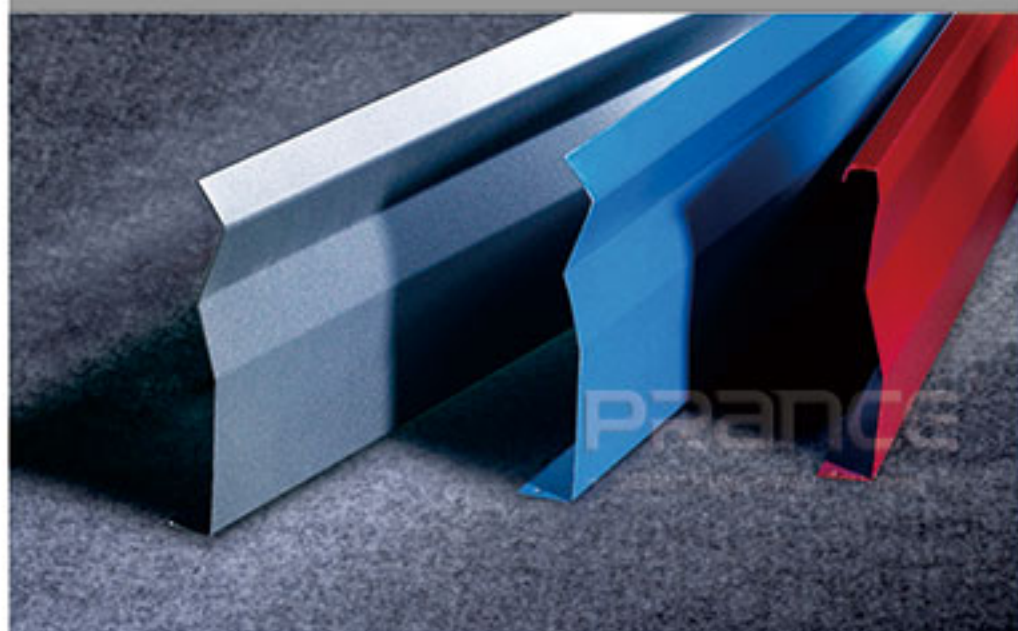
- 1 Thread rod
- 4 Main bar
- 2 Main channel
- 5 Hanger
- 3 Hanger of main channel
- 6 Cross bar



BLADE CEILING



Application:
Hotel / Plaza / Airport
Metro Station / Shopping Mall



STANDARD COLOURS

- RAL 9003 Pure white
- RAL 9010 Cream white
- RAL 9016 White
- RAL 9006 White aluminum
- RAL 9007 Grey aluminum

A-Blade ceiling Specification Unit:mm

Height	Length	Thickness
80	1000-5000	0.6-0.8
110	1000-5000	0.6-0.8
150	1000-5000	0.6-0.8

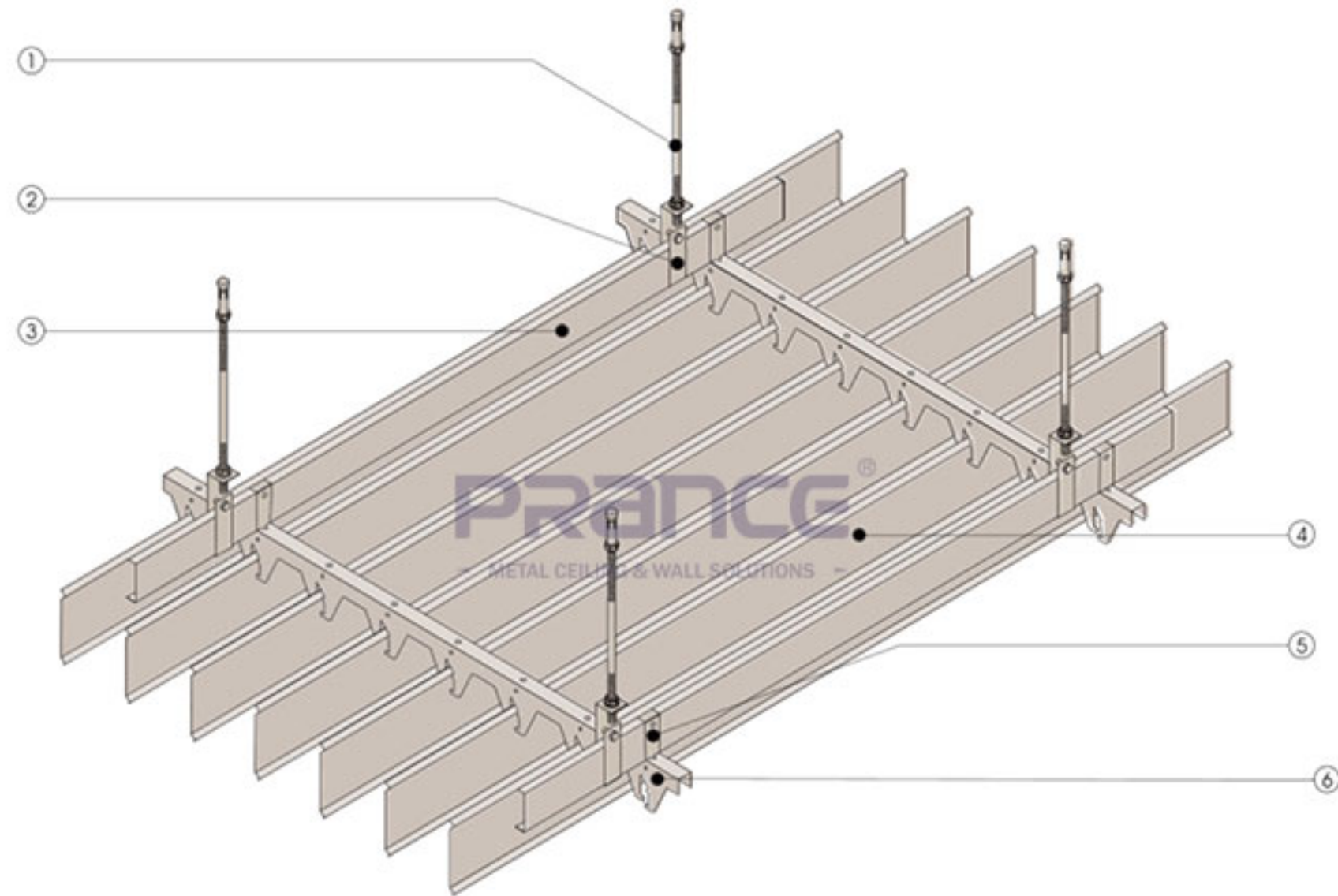
B-Blade ceiling Specification Unit:mm

Height	Length	Thickness
100	1000-5000	0.6-0.8
125	1000-5000	0.6-0.8
150	1000-5000	0.6-0.8



Installation

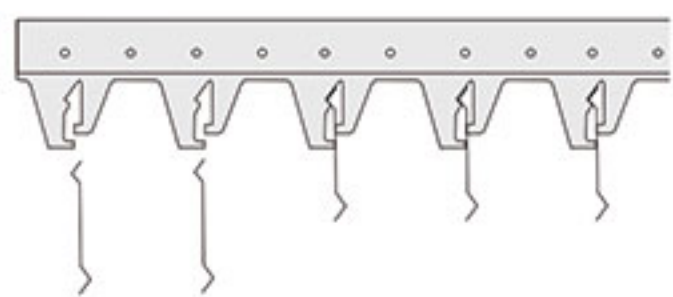
ROUND TUBE CEILING



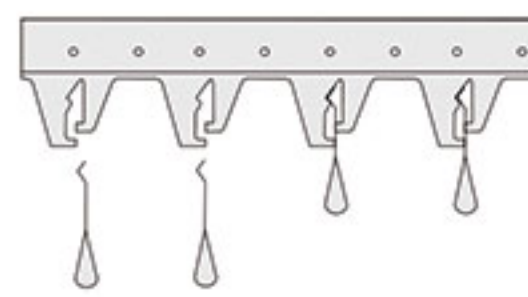
- | | |
|-----------------------------|----------------------|
| 1 Thread rod | 4 Blade A panel |
| 2 Hanger of 38 main channel | 5 Hanger for carrier |
| 3 38main channel | 6 Carrier |



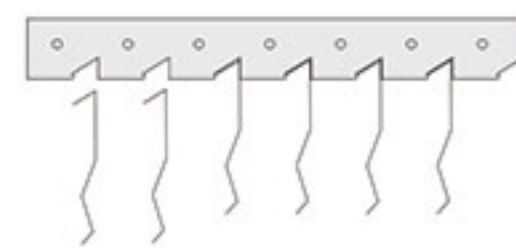
Application:
Hotel / Plaza / Airport
Metro Station / Shopping Mall



BLADE A CEILING



DROP BLADE CEILING



BLADE B CEILING



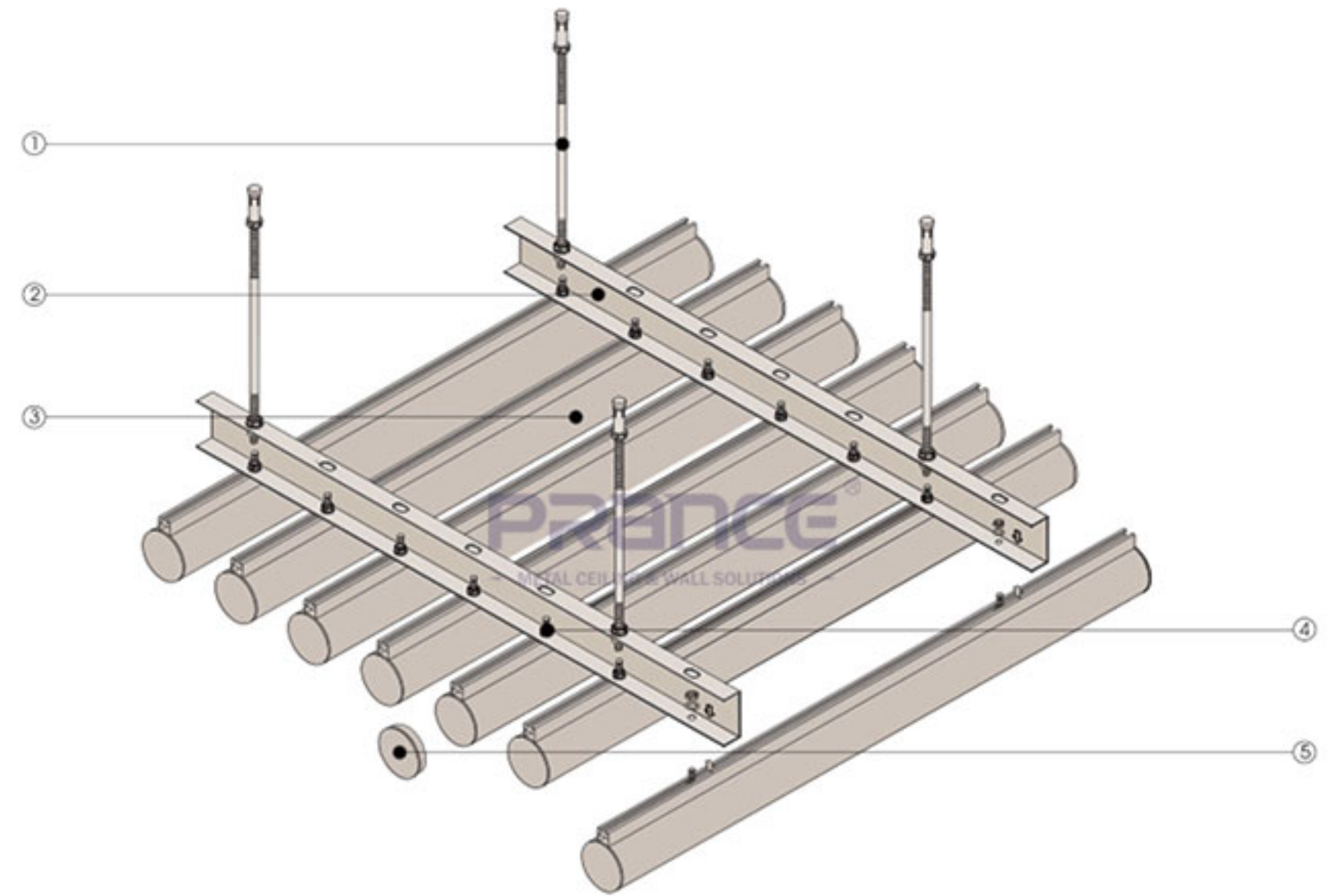
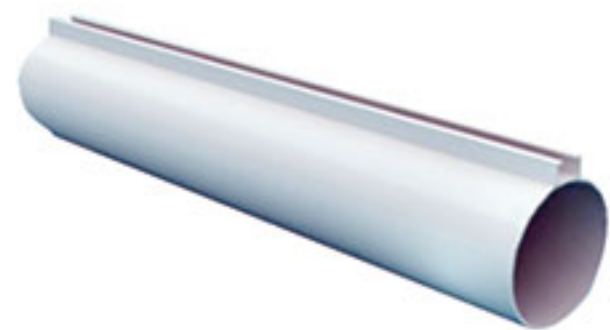


STANDARD COLOURS

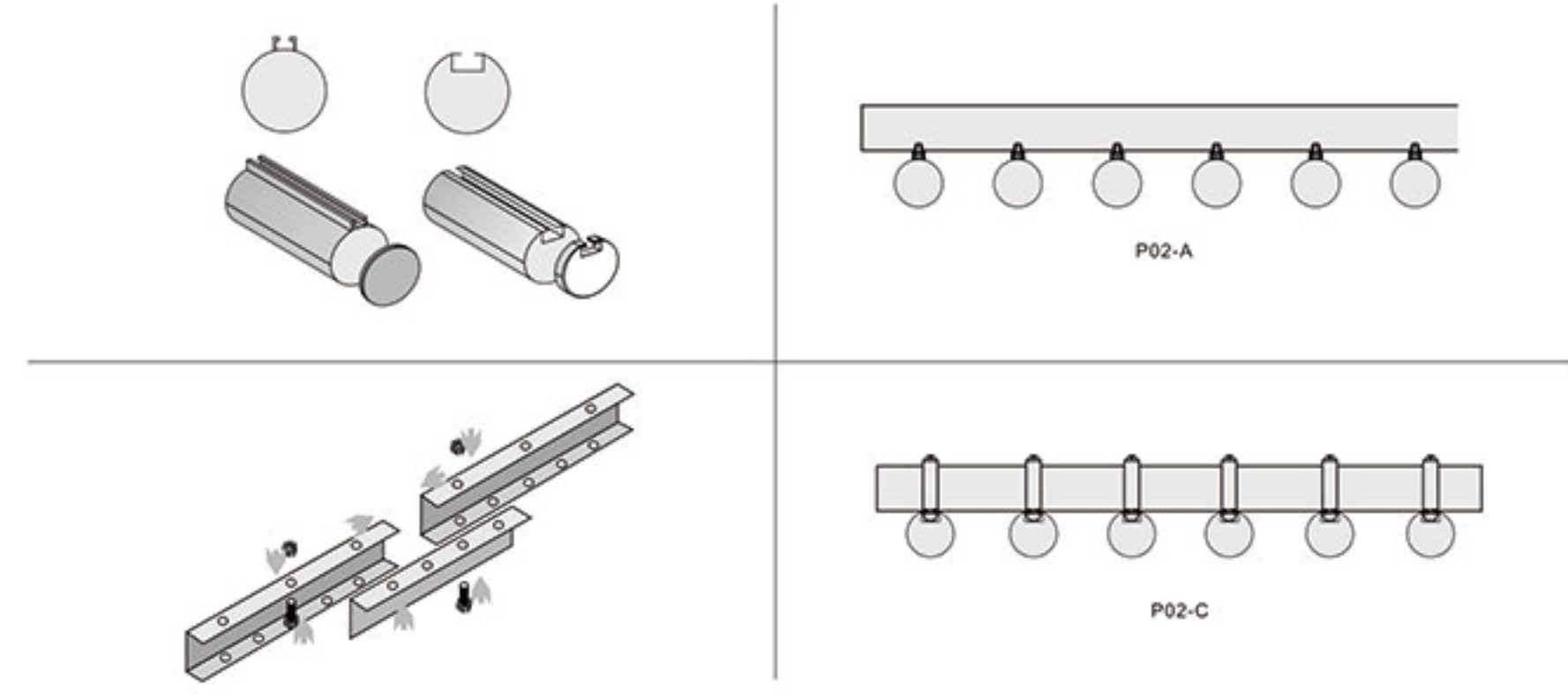
RAL 9003 Pure white
 RAL 9010 Cream white
 RAL 9016 White
 RAL 9006 White aluminum
 RAL 9007 Grey aluminum
 Wooden Color

Round tube ceiling specification Unit:mm

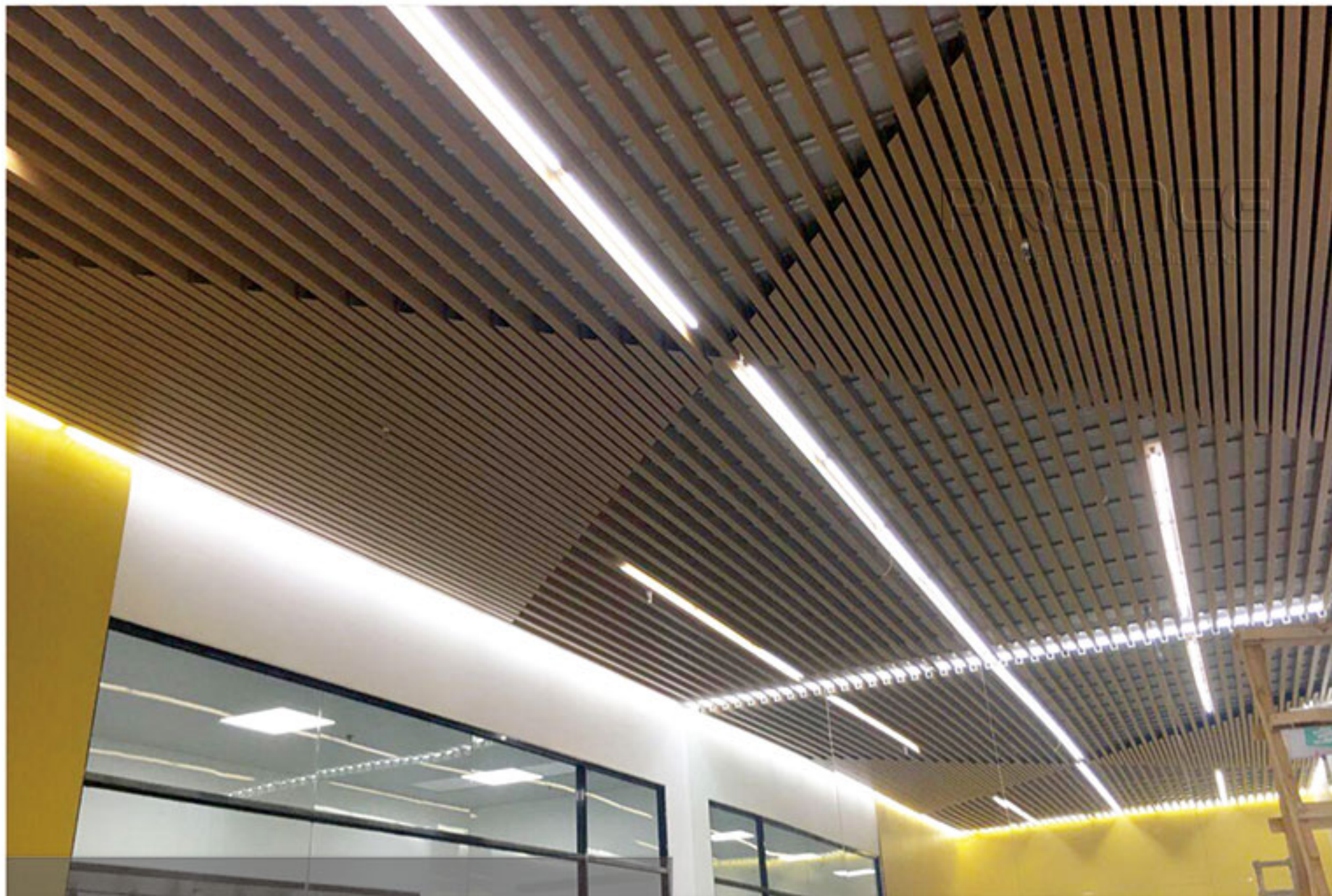
Size	Thickness	Length
40	1.0	1000-6000
50	0.85	1000-6000
50	1.0	1000-6000
50	1.2	1000-6000
60	1.0	1000-6000
70	1.0	1000-6000
80	1.1	1000-6000



- 1** M8 Thread rod
- 2** C-Slot Carrier
- 3** Aluminum Pipe
- 4** M6 Screw
- 5** Cover of Aluminum Pipe



SQUARE TUBE CEILING



Application:
Hotel / Plaza / Airport
Metro Station / Shopping Mall



STANDARD COLOURS

- RAL 9003 Pure white
- RAL 9010 Cream white
- RAL 9016 White
- RAL 9006 White aluminum
- RAL 9007 Grey aluminum
- Wooden Color

U-square tube ceiling specification Unit:mm

Width	Thickness	Length
30	0.7-1.2	1000-5000
40	0.7-1.2	1000-5000
50	0.7-1.2	1000-5000

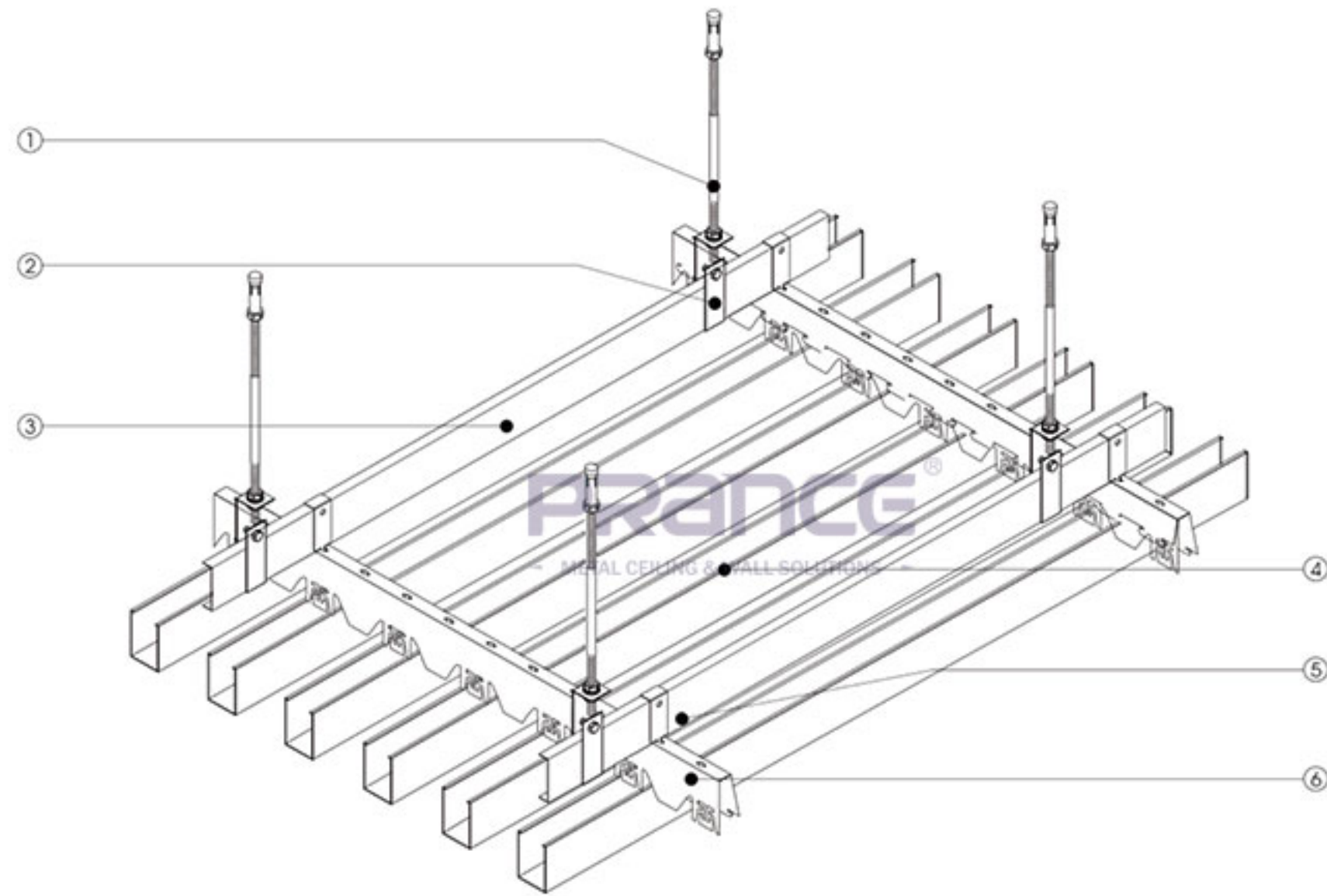
U-square tube ceiling specification Unit:mm

Width	Height	Thickness	Length
30	50	1.0	3000-6000
30	100	1.0	3000-6000
30	150	1.2	3000-6000



Installation

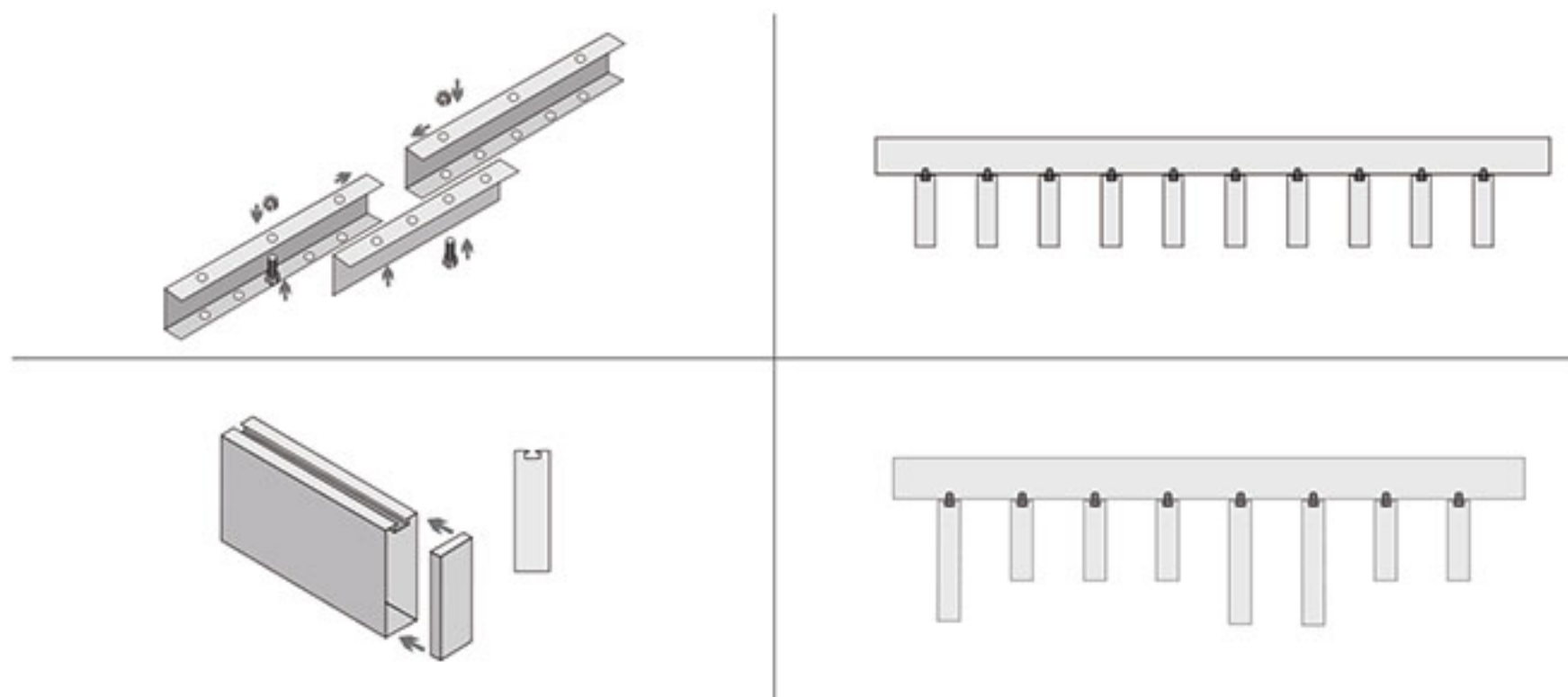
PROJECT CEILING



- 1 Thread rod
- 2 Hanger for Main channel
- 3 Main channel
- 4 Square Tube Ceiling
- 5 Hanger for Spring tee
- 6 Spring tee



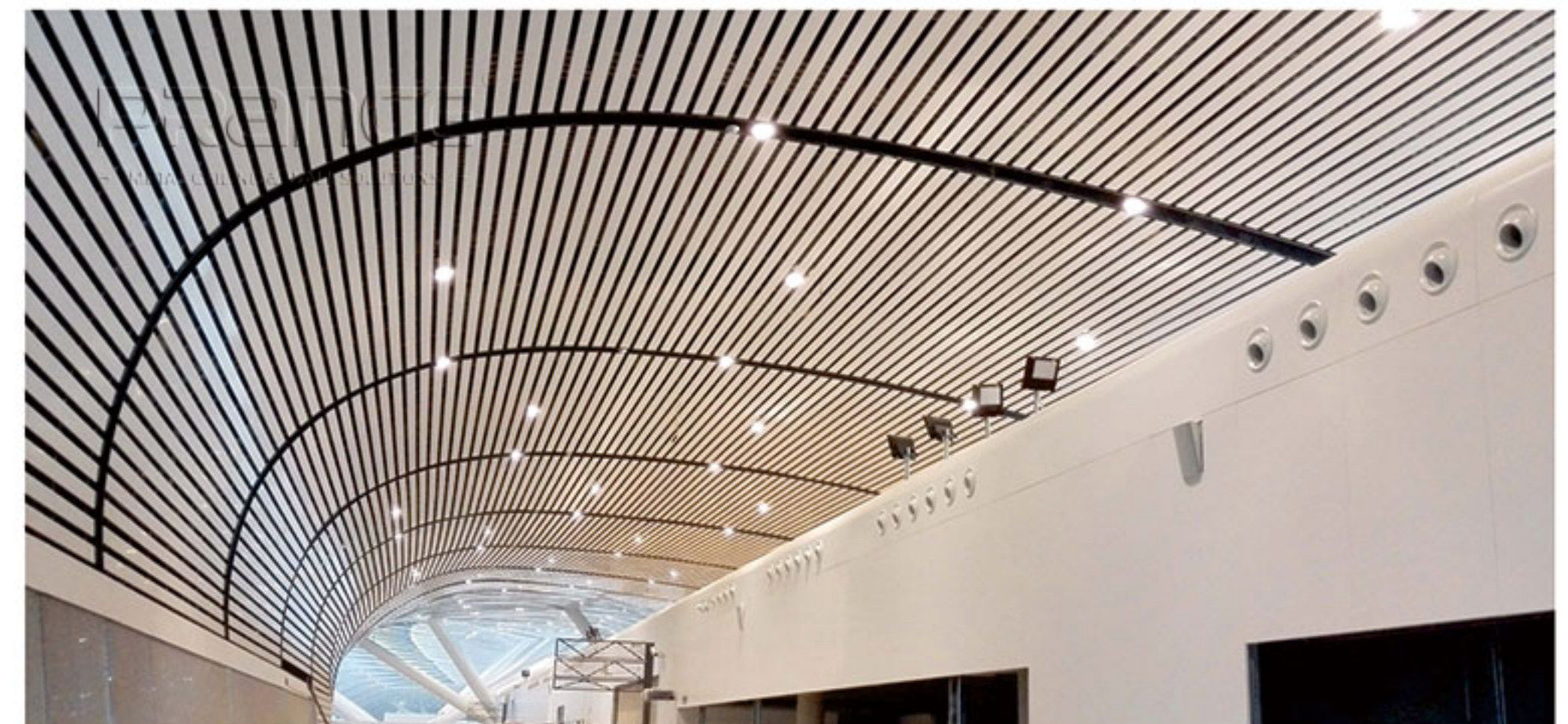
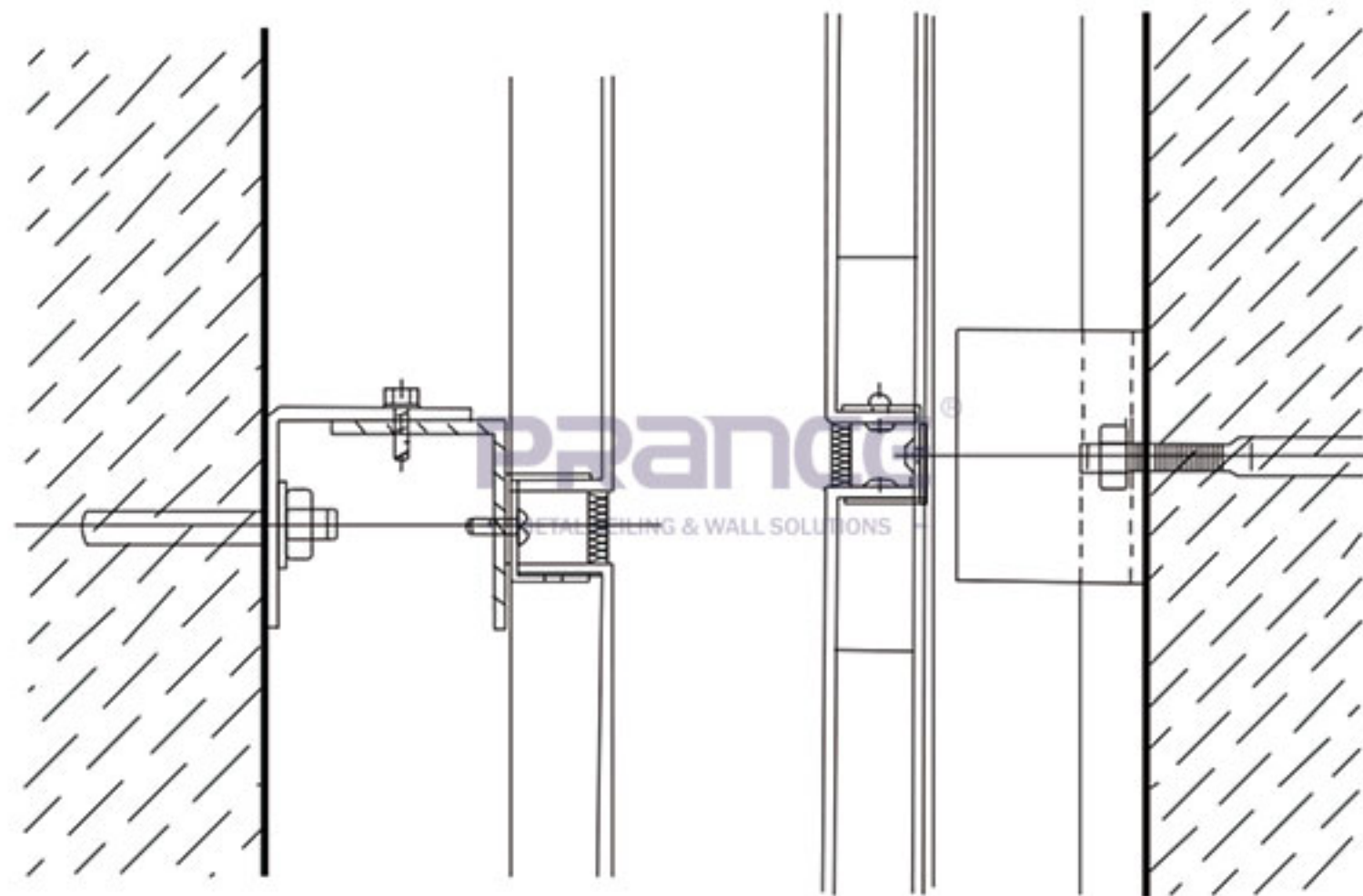
Application:
Hotel / Plaza / Airport
Metro Station / Shopping Mall





CUSTOMIZED CEILING

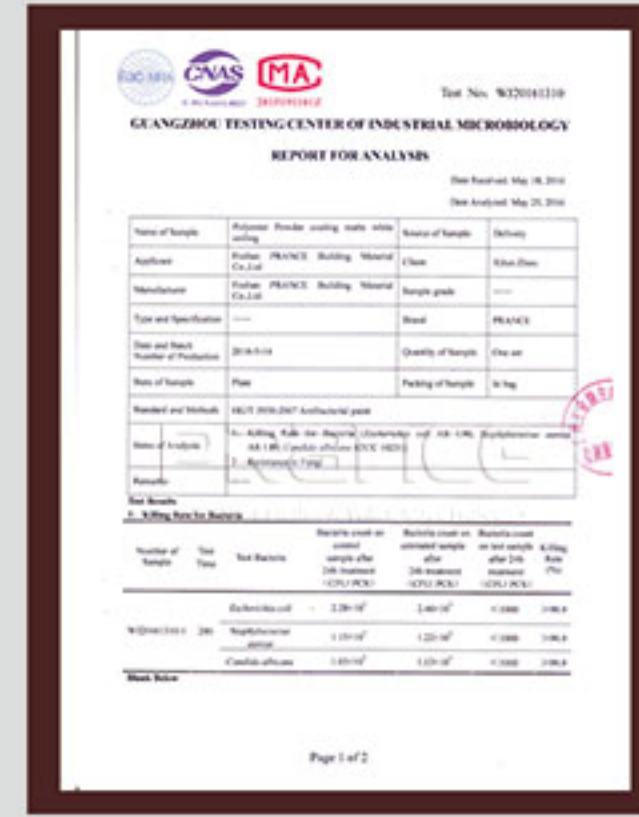
Single-layer aluminum curtain wall panel installation diagram



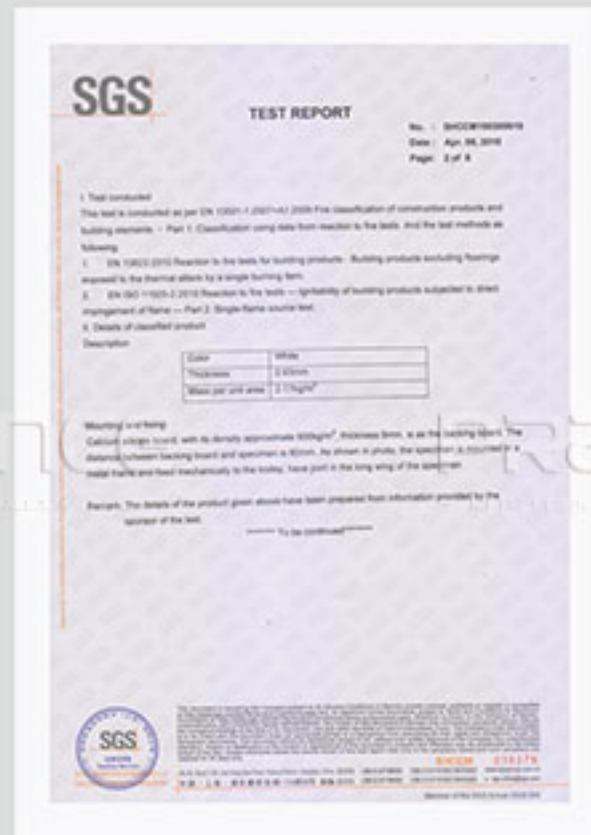
CERTIFICATE



ISO9001:2015



ANTIBACTERIAL TEST



SERVICE PROCESS



Quality Control



