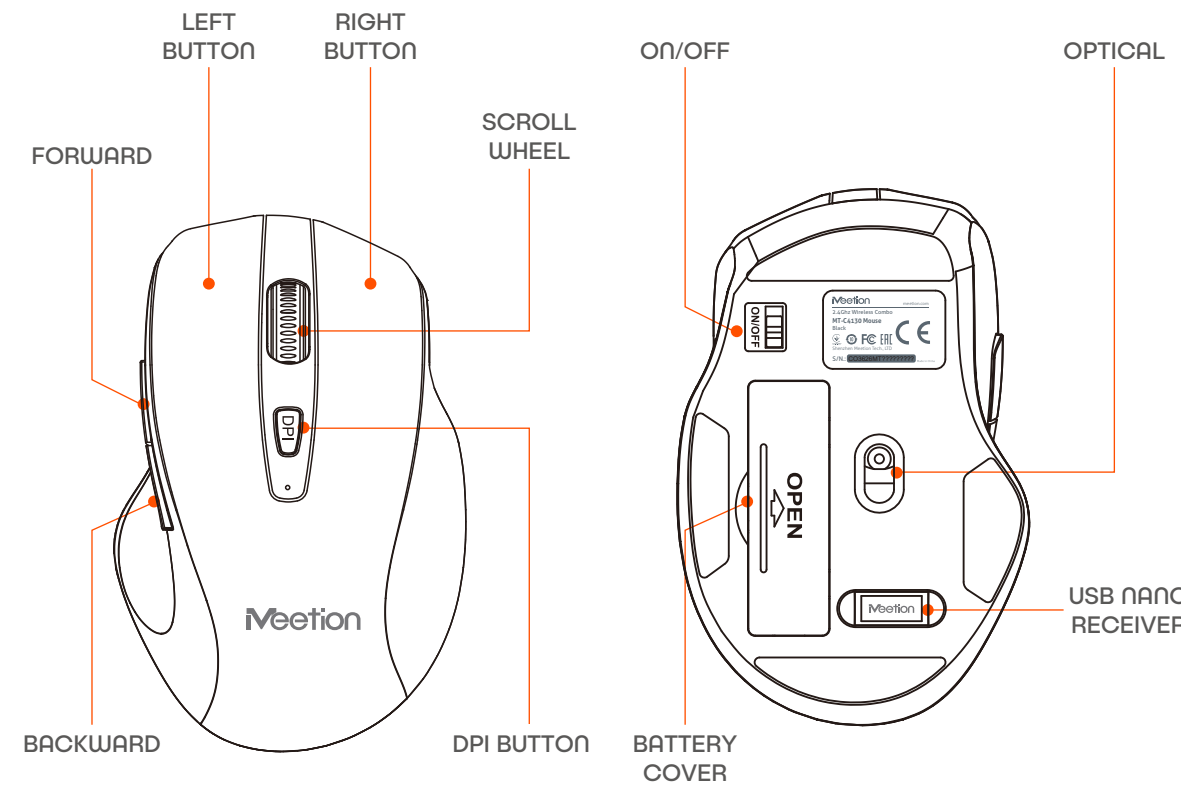
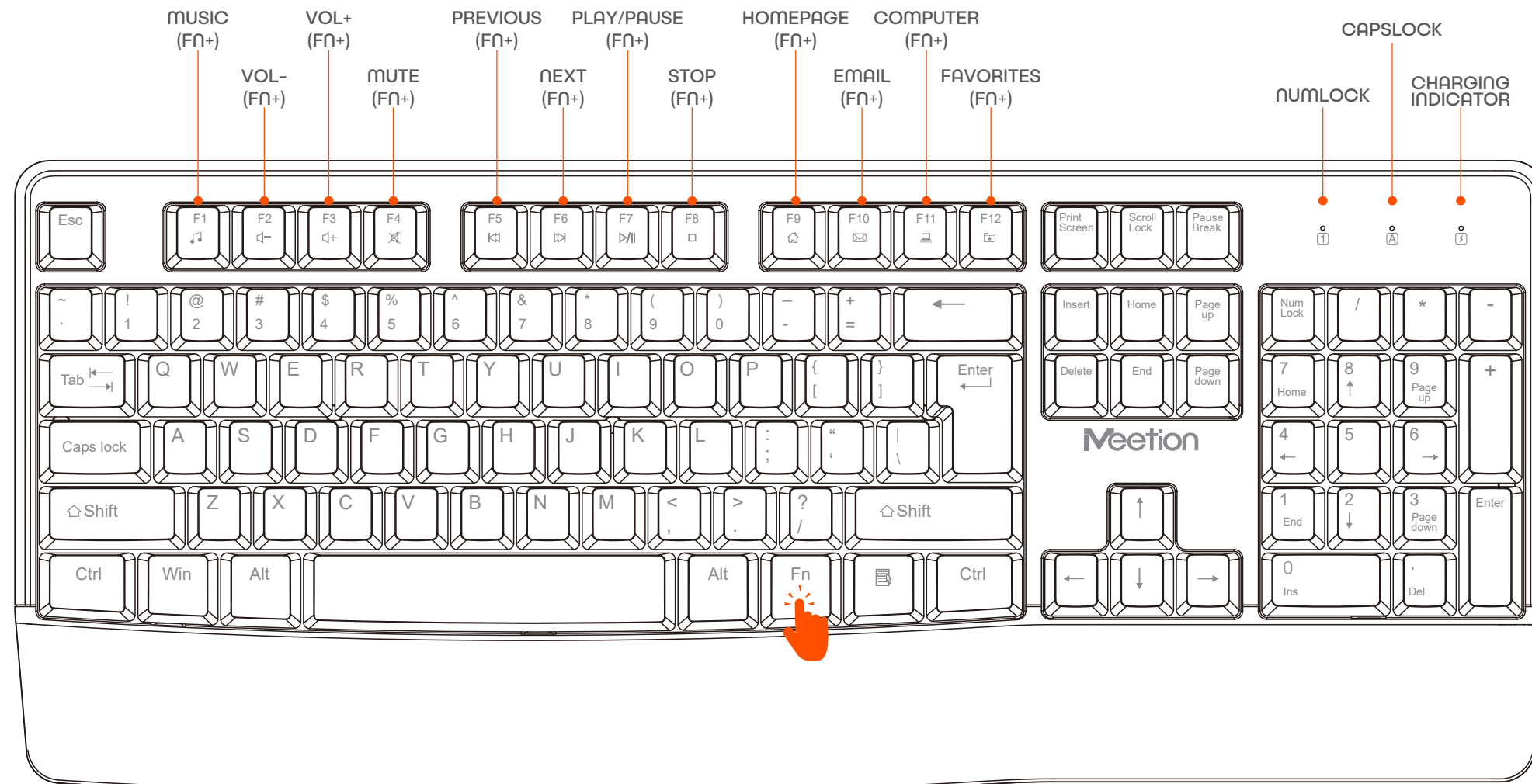


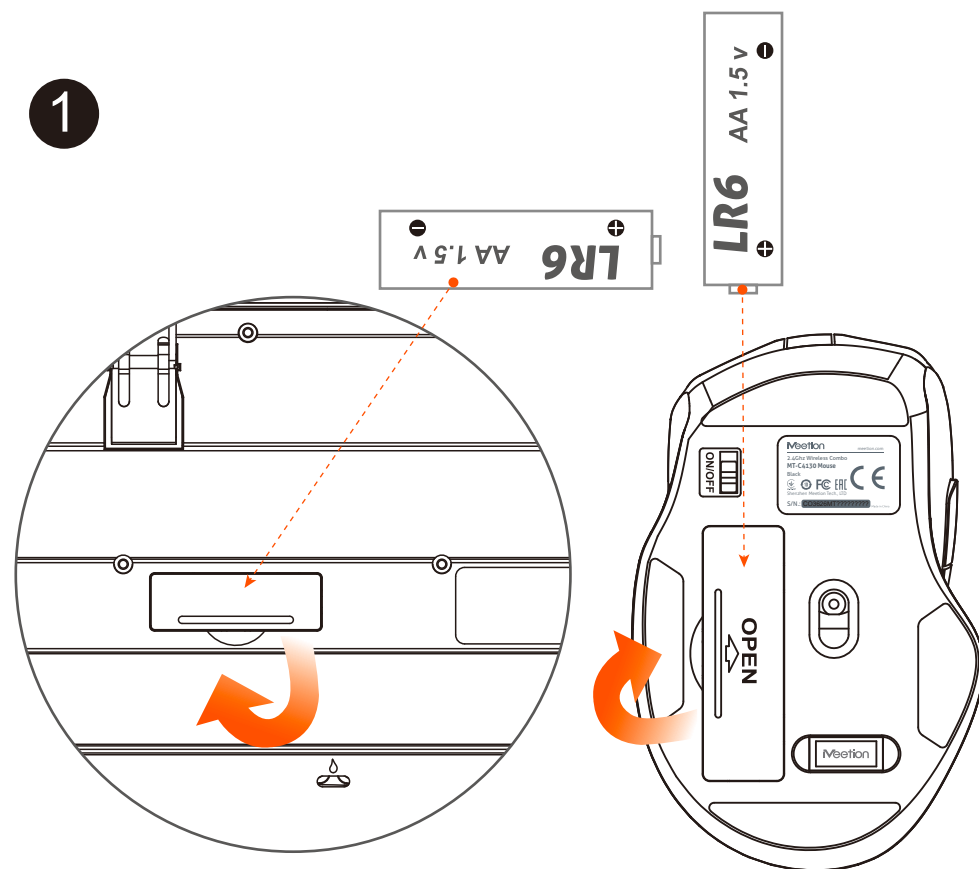
FN+MULTIMEDIA FUNCTION KEYS



STEPS FOR USAGE

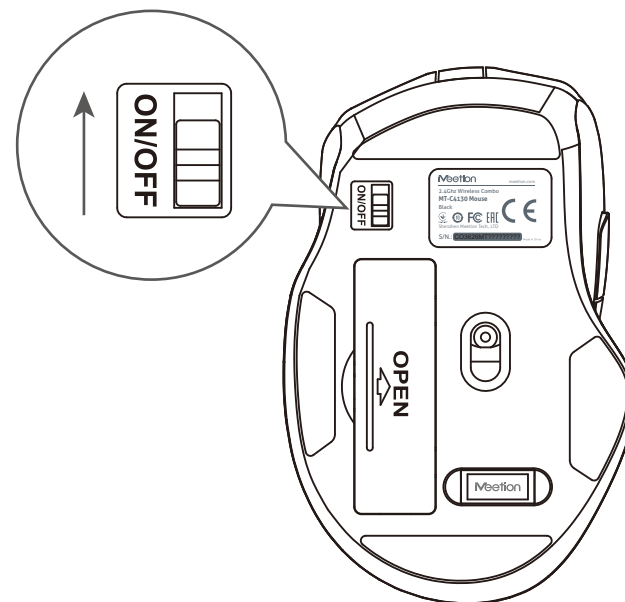
Meetion

1



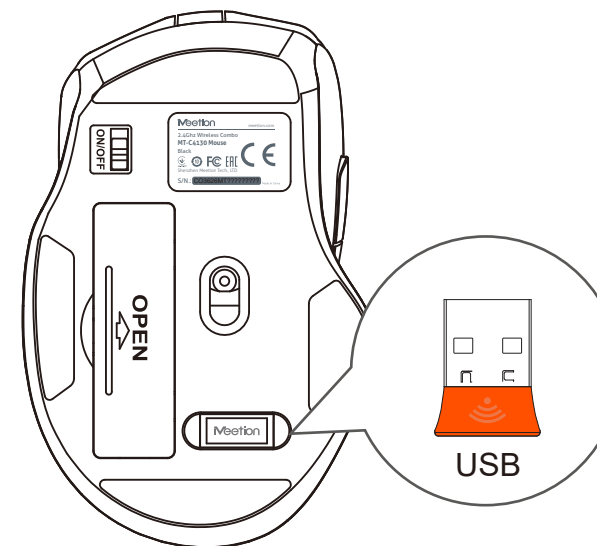
Open the battery compartment cover at the bottom of the keyboard and mouse, and insert a AA battery into each

2



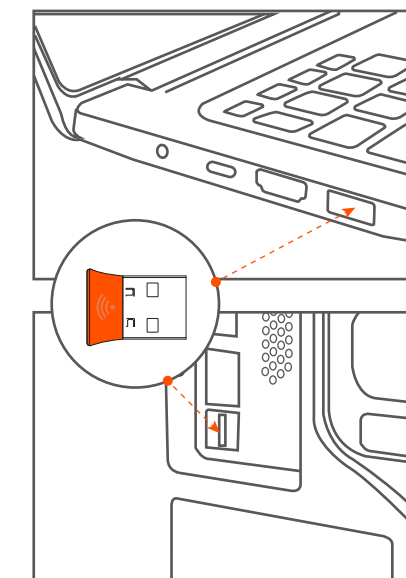
Turn on the mouse power switch

3



Pull out the USB receiver on the bottom of the mouse

4



Insert computer USB interface
(When the product is used for the first time, an automatic hardware installation prompt will pop up in the lower right corner of the computer)