

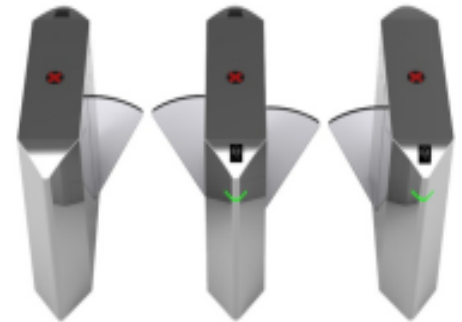
TGW-WT005D Flap Turnstile



Stainless Steel Flap Turnstile

Function:

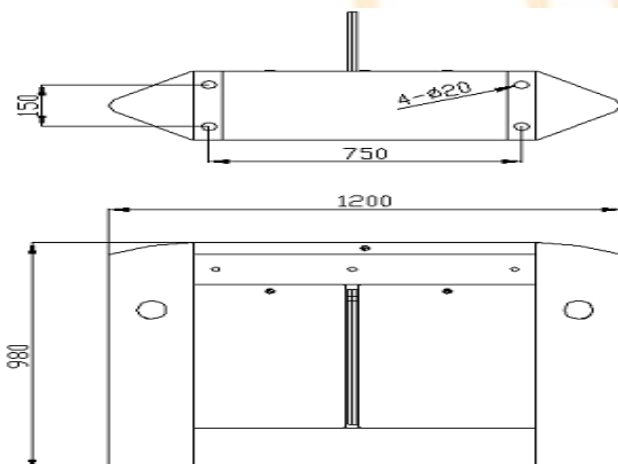
1. The working mode can be set through the button on the main panel.
2. Anti-collision, the object will automatically and slowly return to the original position after collision, to prevent the motor from being damaged by external force collision.
3. Doors can be synchronized.
4. Automatic reset. Right turn is automatically cancelled if it is not passed within the scheduled time. (1-60s adjustable), the default time is 10s.
5. Compatible access control system, consumption system, ESD system, electronic ticketing system, etc.
6. One-way control or two-way control.
7. One pair of anti-collision infrared sensor, two pairs of alarm infrared sensor.
8. Each cabinet has one LED direction indicator.
9. The unit can be controlled and managed by remote control.



Extensible functions:

1. LED counter display
2. Cabinet and swing arms can be lengthened.
3. Two or more pairs of extensible anti-collision infrared sensor, customizable.
4. Voice prompts

Dimensional drawing:



Parameters:

| | |
|-------------------------|---|
| Cabinet Material | 304 Stainless Steel |
| Dimensions | 1200*300*980mm |
| Weight | 70KG |
| Motor Type | Double motor |
| Flap Barrier Material | PVC/Acrylic |
| Arm Length | ≤ 300mm |
| Passage Width | ≤ 600mm |
| Opening Signal | Relay |
| Material Thickness | 1.5mm |
| Card-reading Window: | Two |
| Infrared sensor | 3Pairs |
| Protection function | Infrared anti-pinch,Break-in alarm function |
| Direction | Bi-directional |
| Service Life | 5million times |
| Operating Temperature | -25°C ~ +60°C |
| Related Humidity | ≤ 90%RH |
| Communication Interface | TCP/IP |
| Power Rate | 90W |
| Power Supply | AC 220V/110V ±10% 50/60MHZ (optional) |
| Opening Speed: | 30-45persons per minute |

Application:

Flap Turnstile

1. Can be compatible with IC /ID card, bar code card, fingerprint and face recognition access control method.
2. Used for staff, provide civilized, orderly access methods; effectively manage the access of staff.
3. Can be widely used in the Outdoor public place,School,Subway,Metro station,Buiding for access management.