

TGW-TT005 Tripod Turnstile



Stainless Steel Tripod Turnstile

Function:

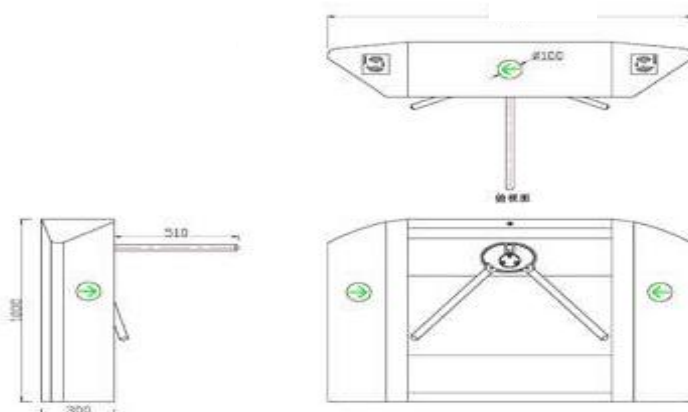
1. Anti-rust and Anti-corrosion
2. Automatic reset function, if doesn't pass through within the given time, the permission will be automatically cancelled and the arm will be restored
3. Intelligent motherboard, turnstiles can be configured to allow access in a single direction or bi-directionally.
4. Prevent trailing. After each pass, the arm is rotated 120 degrees to automatically lock.
5. Anti-collision, unable to push with external force when the arm is locked
6. Compatible with various control methods, including remote control, push buttons, IC or ID Card Reading Devices, etc.
7. Anti-Panic function. After the gate is powered off, the arm is automatically dropped to facilitate evacuation
8. Highlight LED indicator, indicate more eye-catching.



Extensible functions:

1. LED counter display
2. Cabinet and tripod arms can be lengthened.
3. Voice prompts

Dimensional drawing:



Parameters:

Cabinet Material	304 Stainless Steel
Dimensions	1400*280*980mm
Weight	85KG
Arm Length	≤500mm
Passage Width	≤600mm
Opening Signal	Relay
Material Thickness	1.5mm
Card-reading Window:	One
Protection function	Infrared anti-pinch,Break-in alarm function
Direction	Bi-directional
Service Life	5million times
Operating Temperature	-25℃ ~ +60℃
Related Humidity	≤90%RH
Communication Interface	TCP/IP
Power Rate	90W
Power Supply	AC 220V/110V ±10% 50/60MHZ (optional)
Opening Speed:	30-45persons per minute

Application:

Luxury Tripod Turnstile

1. Can be compatible with IC /ID card, bar code card, fingerprint and face recognition access control method.
2. Used for staff, provide civilized, orderly access methods; effectively manage the access of staff.
3. Can be widely used in the sports stadiums, amusement parks, and university facilities for access management.