

TGW-DA012 Drop Arm Turnstile



Stainless Steel Drop Arm Turnstile

Function:

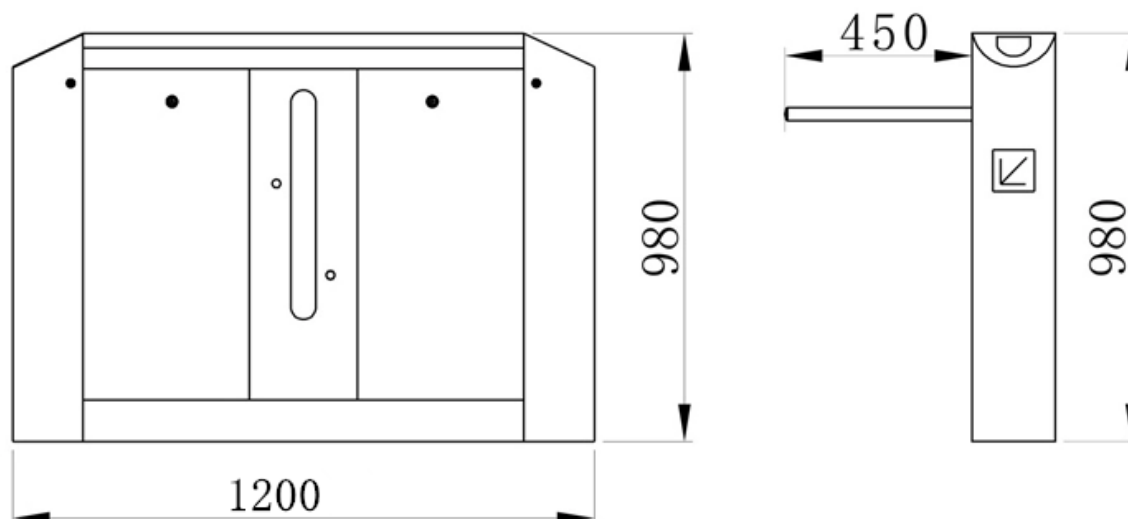
1. The working mode can be set through the button on the main panel.
2. Anti-collision, the object will automatically and slowly return to the original position after collision, to prevent the motor from being damaged by external force collision.
3. Doors can be synchronized.
4. Automatic reset. Right turn is automatically cancelled if it is not passed within the scheduled time. (1-60s adjustable), the default time is 10s.
5. Compatible access control system, consumption system, ESD system, electronic ticketing system, etc.
6. One-way control or two-way control.
7. One pair of anti-collision infrared sensor, two pairs of alarm infrared sensor.
8. Each cabinet has one LED direction indicator.
9. The unit can be controlled and managed by remote control.



Extensible functions:

1. LED counter display
2. Cabinet can be lengthened.
3. Two or more pairs of extensible anti-collision infrared sensor, customizable.
4. Voice prompts

Dimensional drawing:



Parameters:

Cabinet Material	304 Stainless Steel
Dimensions	1200*200*980mm
Weight	55KG
Motor Type	Single motor
Arm Length	≤ 550mm
Passage Width	≤ 1200mm
Opening Signal	Relay
Material Thickness	1.5mm
Card-reading Window:	Two
Infrared sensor	3Pairs
Protection function	Infrared anti-pinch,Break-in alarm function
Direction	Bi-directional
Service Life	5million times
Operating Temperature	-25℃ ~ +60℃
Related Humidity	≤ 90%RH
Communication Interface	TCP/IP
Power Rate	90W

Application:

Drop arm gate

- 1.Can be compatible with IC /ID card,bar code card,fingerprint and face recognition access control method.
- 2.Used for staff, provide civilized ,orderly access methods; effectively manage the access of staff .
- 3.Can be widely used in the Supermarket,Small space,Disable person,Baby carriage pass, factories for access management.